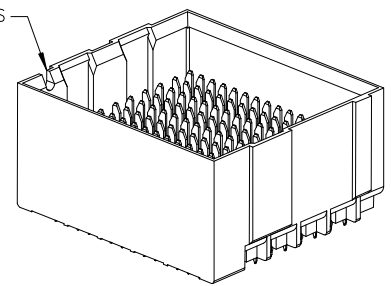


UNGUIDED
BACKPLANE HOLE PATTERN
(CONNECTOR SIDE)

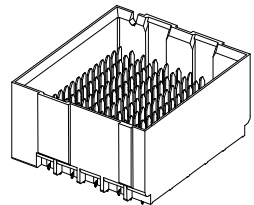
NOTCH DESIGNATES
ROW A



- NOTES:
- MATERIALS: HOUSING - LIQUID CRYSTAL POLYMER (LCP)
GLASS-FILLED, UL94V-0
TERMINALS - HIGH PERFORMANCE COPPER ALLOY
 - FINISH: 30μ MIN GOLD IN CONTACT AREA.
SELECTIVE TIN ON PCB TAILS.
NICKEL OVERALL.
 - REFER TO MOLEX PRODUCT SPECIFICATION PS-76060-999
FOR PERFORMANCE SPECIFICATIONS AND ADDITIONAL PCB INFORMATION.
 - THIS PART CONFORMS TO CLASS B REQUIREMENTS OF
COSMETIC SPEC PS-45499-002.
 - PARTS PACKAGED PER PK-70873-7702.
 - SEE SHEETS 2 & 3 FOR PART NUMBERS AND BOARD RELATIONSHIPS.
 - MATES WITH IMPACT DC SERIES NO. 76780.
 - REFER TO MOLEX PCB ROUTING GUIDE AS-76060-990 FOR ANTIPAD AND
ROUTING RECOMMENDATIONS.

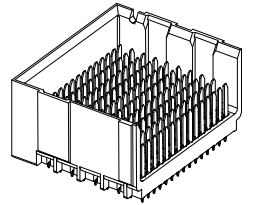
CONVERT TO LEAD-FREE IEC NO: UCP2013-2078 DRWN: TIBARRA 2012/12/17 CHKD: JBINGHAM 2012/12/18 APPR: SMILLER 2012/12/31	QUALITY SYMBOLS	GENERAL TOLERANCES (UNLESS SPECIFIED)		DIMENSION STYLE MM ONLY		SCALE 4:1	DESIGN UNITS METRIC	THIRD ANGLE PROJECTION	
	▽=0	mm	INCH	DRAWN BY JLAURX	DATE 2007/06/18	TITLE IMPACT BP 85 OHM 5 PAIR UNGUIDED ASSEMBLY SALES DRAWING molex DOCUMENT NO. SD-76775-001			
	▽=0	4 PLACES ± ---	± ---	CHECKED BY JLAURX	DATE 2007/06/18				
	▽=0	3 PLACES ± ---	± ---	APPROVED BY JLAURX	DATE 2010/07/12				
	▽=0	2 PLACES ± 0.13	± ---	MATERIAL NO. SEE TABLE					
▽=0	1 PLACE ± 0.25	± ---	SIZE C						
		ANGULAR ±1/2°		DRAFT WHERE APPLICABLE MUST REMAIN WITHIN DIMENSIONS		SHEET NO. 1 OF 3		THIS DRAWING CONTAINS INFORMATION THAT IS PROPRIETARY TO MOLEX INCORPORATED AND SHOULD NOT BE USED WITHOUT WRITTEN PERMISSION	

MATERIAL NUMBER	# OF COLUMNS	# OF DIFF PAIR	DIM "A"	DIM "B"	DUAL END WALL OPTION
76775-*12*	10	50	21.7	17.10	
76775-*62*	16	80	33.1	28.50	



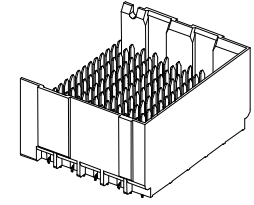
DUAL END
WALL OPTION

MATERIAL NUMBER	# OF COLUMNS	# OF DIFF PAIR	DIM "A"	DIM "B"	LEFT END WALL OPTION
76775-*11*	10	50	20.3	17.10	
76775-*61*	16	80	31.7	28.50	



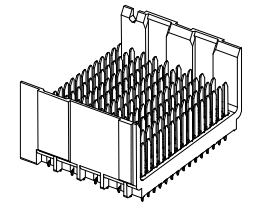
LEFT END
WALL OPTION

MATERIAL NUMBER	# OF COLUMNS	# OF DIFF PAIR	DIM "A"	DIM "B"	RIGHT END WALL OPTION
76775-*13*	10	50	20.3	17.10	
76775-*63*	16	80	31.7	28.50	



RIGHT END
WALL OPTION

MATERIAL NUMBER	# OF COLUMNS	# OF DIFF PAIR	DIM "A"	DIM "B"	OPEN WALL OPTION
76775-*10*	10	50	19.0	17.10	
76775-*60*	16	80	30.4	28.50	



OPEN
WALL OPTION

76775-****

MODULE TYPE
1 = UNGUIDED, TIN

OF COLUMNS
1 = 10 COL
6 = 16 COL

P=PIN LENGTH
4 = 4.90 (SHORT COMPLIANT, 0.46±0.05 PTH)
5 = 5.50 (SHORT COMPLIANT, 0.46±0.05 PTH)
7 = 4.90 (MICRO COMPLIANT, 0.39±0.05 PTH)
8 = 5.50 (MICRO COMPLIANT, 0.39±0.05 PTH)

END WALL OPTIONS
0 = OPEN ENDS
1 = LEFT END WALL
2 = DUAL END WALL
3 = RIGHT END WALL

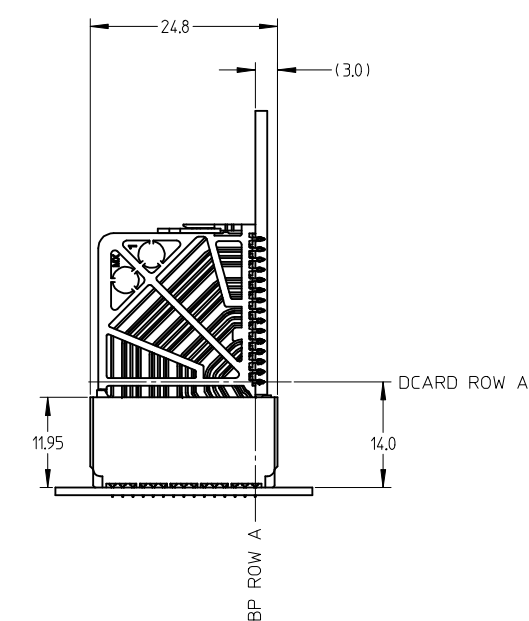
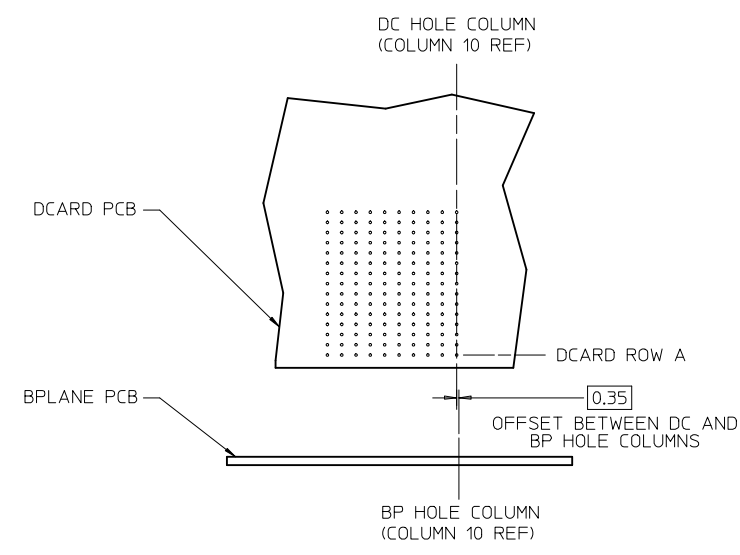
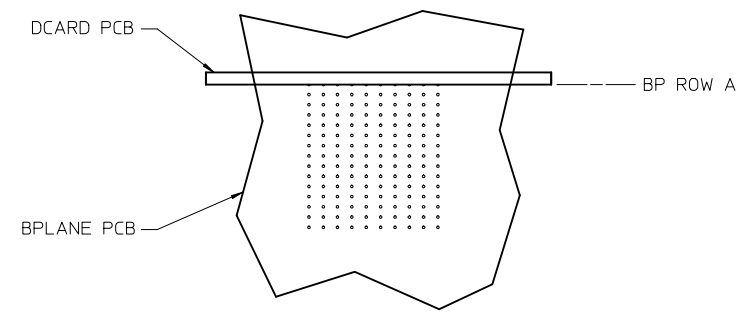
REV	DESCRIPTION	QUALITY SYMBOLS
SEE SHEET 1		
1	DESCRIPTION	▽=0
2	DESCRIPTION	▽=0
3	DESCRIPTION	▽=0

GENERAL TOLERANCES (UNLESS SPECIFIED)	
mm	INCH
4 PLACES ±---	±---
3 PLACES ±---	±---
2 PLACES ±0.13	±---
1 PLACE ±0.25	±---
0 PLACE ±---	±---
ANGULAR ±1/2°	
DRAFT WHERE APPLICABLE MUST REMAIN WITHIN DIMENSIONS	

DIMENSION STYLE MM ONLY	
DRAWN BY	DATE
JLAURX	2007/06/18
CHECKED BY	DATE
JLAURX	2007/06/18
APPROVED BY	DATE
JLAURX	2010/07/12

SCALE	DESIGN UNITS	THIRD ANGLE PROJECTION
2:1	METRIC	☉
TITLE		
IMPACT BP 85 OHM 5 PAIR UNGUIDED ASSEMBLY SALES DRAWING		
molex		
MATERIAL NO.	DOCUMENT NO.	SHEET NO.
SEE TABLE	SD-76775-001	2 OF 3
THIS DRAWING CONTAINS INFORMATION THAT IS PROPRIETARY TO MOLEX. INCORPORATED AND SHOULD NOT BE USED WITHOUT WRITTEN PERMISSION		

IMPACT 5 PAIR
BOARD RELATIONSHIPS



SEE SHEET 1 EC NO: UCP2013-2078 DRWN: TIBARRA 2012/12/17 CHKD: BINGHAM 2012/12/18 APPR: SMILLER 2012/12/31	QUALITY SYMBOLS	GENERAL TOLERANCES (UNLESS SPECIFIED)		DIMENSION STYLE	SCALE	DESIGN UNITS	THIRD ANGLE PROJECTION		
	▽=0	mm	INCH	MM ONLY	2:1	METRIC			
	▽=0	4 PLACES ± ---	± ---	DRAWN BY	DATE	TITLE			
	▽=0	3 PLACES ± ---	± ---	JLAURX	2007/06/18	IMPACT BP 85 OHM 5 PAIR UNGUIDED ASSEMBLY SALES DRAWING			
	▽=0	2 PLACES ± 0.13	± ---	CHECKED BY	DATE				
	1 PLACE ± 0.25	± ---	JLAURX	2007/06/18	molex				
	0 PLACE ± ---	± ---	APPROVED BY	DATE					
			JLAURX	2010/07/12	MATERIAL NO.		DOCUMENT NO.		
					SEE TABLE		SD-76775-001		
					DRAFT WHERE APPLICABLE MUST REMAIN WITHIN DIMENSIONS		SHEET NO. 3 OF 3		
					THIS DRAWING CONTAINS INFORMATION THAT IS PROPRIETARY TO MOLEX INCORPORATED AND SHOULD NOT BE USED WITHOUT WRITTEN PERMISSION				