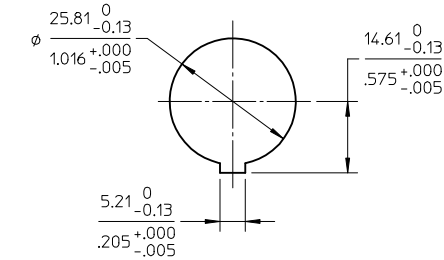
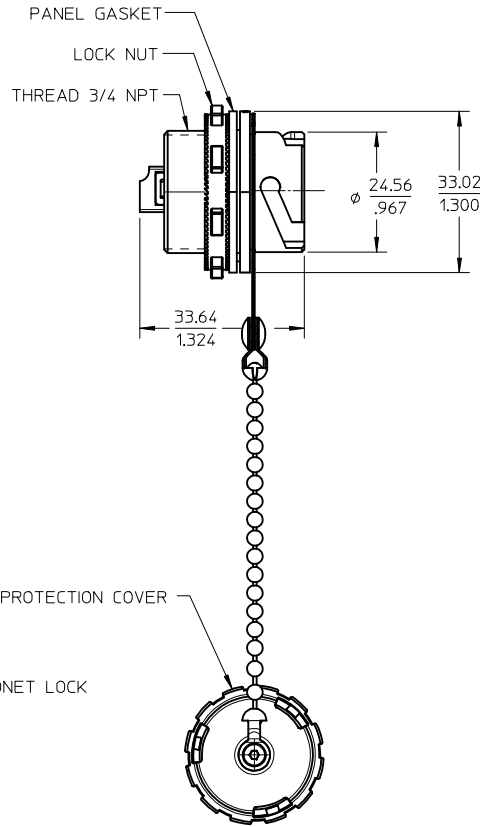
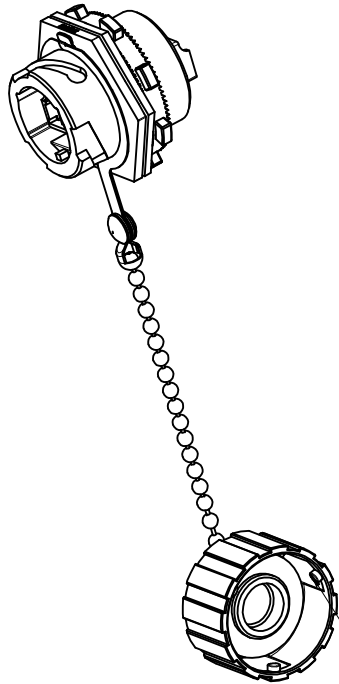
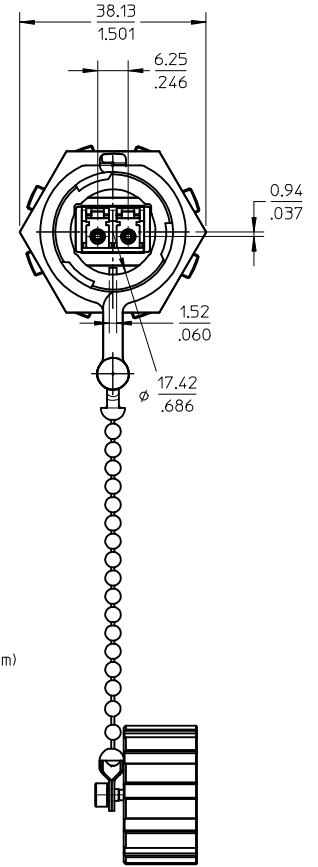


ADAPTER P/N	VERSION	CABLE TYPE
1060597200	WITH LOGO	MULTIMODE
1060597400	WITHOUT LOGO	MULTIMODE
1060597600	WITH LOGO	SINGLE MODE
1060597800	WITHOUT LOGO	SINGLE MODE



RECOMENDED PANEL THICKNESS: .060*(1.5mm) - .312*(7.9mm)

RECOMMENDED MOUNTING CUTOUT
SCALE 1 : 1



NOTE:

ALL DIMENSIONS SHOWN ARE FOR REFERENCE ONLY.

ENTER DESCRIPTION EC NO: MF2009-0650 DRAWN: SMIGO 2009/06/02 CHKD: BANDREI 2009/06/02 APPR: BANDREI 2009/06/03	QUALITY SYMBOLS ▽=0 ▽=0	GENERAL TOLERANCES (UNLESS SPECIFIED)		DIMENSION STYLE MM/IN	SCALE 1:1	DESIGN UNITS METRIC	THIRD ANGLE PROJECTION	
		mm	INCH	DRAWN BY B. ANDREI	DATE 11/3/2006	TITLE ADAPTER ASSEMBLY METAL BODY INDUSTRIAL LC		
		4 PLACES	± ---	CHECKED BY S. MIGO	DATE 12/4/2006			
		3 PLACES	± ---	APPROVED BY DATE		MOLEX INCORPORATED		
2 PLACES	± ---	ANGULAR ± ---°		MATERIAL NO. SEE TABLE	DOCUMENT NO. SD-106059-7X00	SHEET NO. 1 OF 1		
1 PLACE	± ---	DRAFT WHERE APPLICABLE MUST REMAIN WITHIN DIMENSIONS		THIS DRAWING CONTAINS INFORMATION THAT IS PROPRIETARY TO MOLEX INCORPORATED AND SHOULD NOT BE USED WITHOUT WRITTEN PERMISSION				