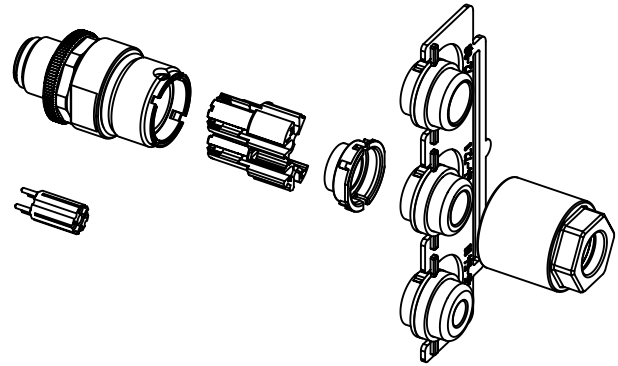


order contacts separately

4,5-8,8mm	AWG 24-20	09 67 000 8576
	AWG 26-22	09 67 000 5576
	AWG 22-18	09 67 000 3576
cable ϕ	wire gauge	part-no.

shielding resistance $\leq 1,5 \text{ Ohm}$
 material metal parts: stainless steel
 (EN 10088-3/ 1.4404/ X2CrNiMo17-12-2)



	All Dimensions in mm Original Size DIN A4	Scale 1:1	Free size tol.		Ref.
	All rights reserved Department EC PD - DE	Created by HELLMANN	Inspected by EISFELD	Standardisation HOFFMANN	Sub. TB 21038411535 / 500000095408 / 2015-11-02
HARTING Electronics GmbH D-32339 Espelkamp	Title HARTING M12-L male crimp B-coded 5-pole				Date 2016-10-18 State Final Release
	Type TB Number 21038411535				Doc-Key / ECM-Nr. 100527993/UGD/003/E 500000109655 Rev. E Page 1/1