

PLEASE CHECK WWW.MOLEX.COM FOR LATEST PART INFORMATION

Part Number: [0475070010](#)
Status: **Active**
Overview: Battery Connectors
Description: 2.00mm Pitch Battery Connector with side Fitting Nails, Surface Mount, Contact Width 0.70mm, with Mylar, 4 Circuits, Lead-Free

Documents:

[3D Model](#) [RoHS Certificate of Compliance \(PDF\)](#)
[Drawing \(PDF\)](#)

General

Product Family	PCB Headers
Series	47507
Application	Board-to-Board, Signal
Overview	Battery Connectors
Product Name	Battery Connector
UPC	883906275037

Physical

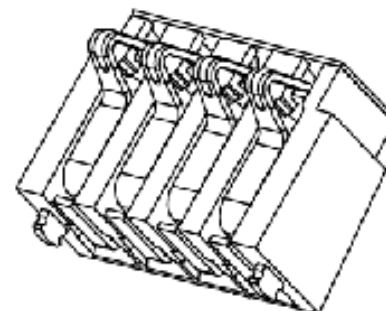
Breakaway	No
Circuits (Loaded)	4
Circuits (maximum)	4
Durability (mating cycles max)	10000
First Mate / Last Break	No
Glow-Wire Compliant	No
Guide to Mating Part	No
Keying to Mating Part	None
Lock to Mating Part	None
Material - Metal	Beryllium Copper
Material - Plating Mating	Gold
Material - Plating Termination	Gold
Material - Resin	High Temperature Thermoplastic
Net Weight	0.295/g
Number of Rows	1
Orientation	Right Angle
PCB Locator	Yes
PCB Retention	Yes
Packaging Type	Embossed Tape on Reel
Pitch - Mating Interface	2.00mm
Pitch - Termination Interface	2.00mm
Plating min - Mating	0.762µm
Plating min - Termination	0.076µm
Polarized to Mating Part	Yes
Polarized to PCB	Yes
Robotic Placement	Vacuum Pick-Up Tape
Shrouded	No
Stackable	No
Temperature Range - Operating	-40°C to +85°C
Termination Interface: Style	Surface Mount

Electrical

Current - Maximum per Contact	1.5A, 2.0A
Voltage - Maximum	200V (RMS)

Solder Process Data

Duration at Max. Process Temperature (seconds)	030
Lead-freeProcess Capability	REFLOW



Series image - Reference only

EU ELV

Not Relevant

EU RoHS

Compliant

REACH SVHC

Not Contained Per

-ED/01/2017 (12

January 2017)

Halogen-Free

Status

Low-Halogen

Need more information on product environmental compliance?

Email productcompliance@molex.com

Please visit the [Contact Us](#) section for any non-product compliance questions.

China ROHS

ELV

RoHS Phthalates

Green Image

Not Relevant

Not Contained

Search Parts in this Series

[47507 Series](#)

Max. Cycles at Max. Process Temperature	001
Process Temperature max. C	250

Material Info

Reference - Drawing Numbers

Sales Drawing	SD-47507-001
---------------	--------------

This document was generated on 04/24/2017

PLEASE CHECK WWW.MOLEX.COM FOR LATEST PART INFORMATION