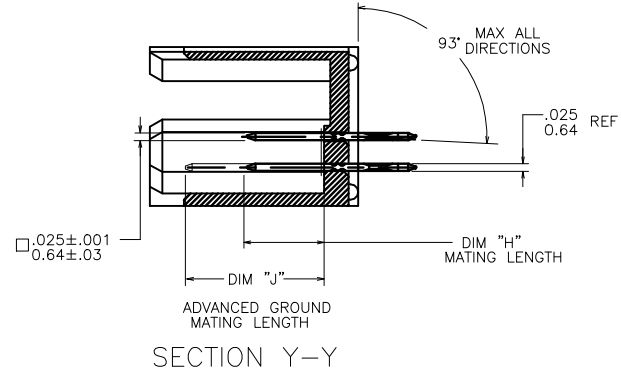
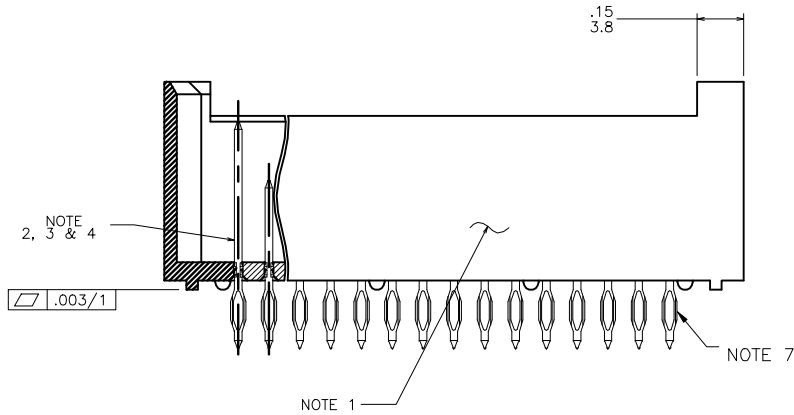
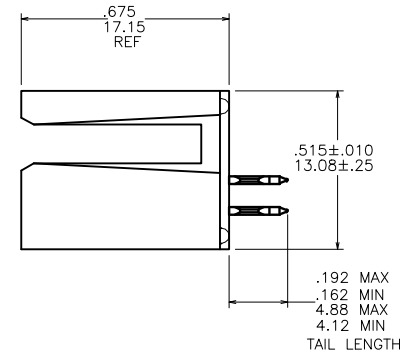
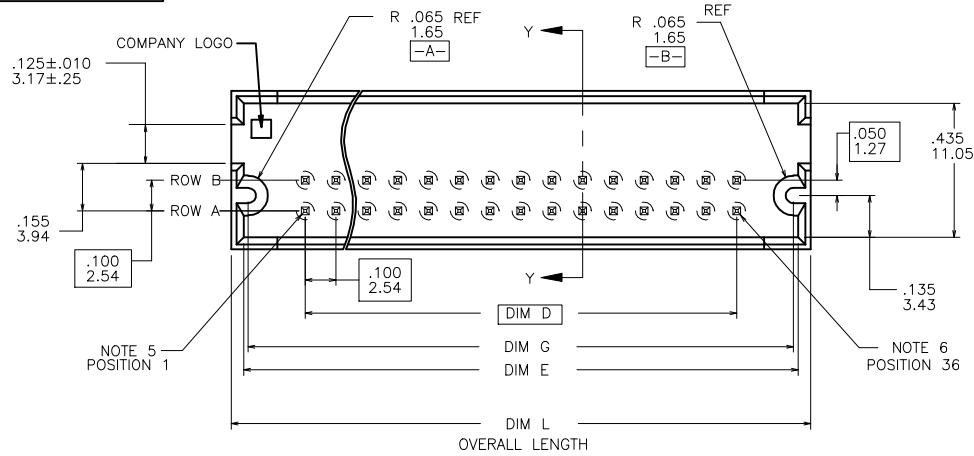


PRODUCT NUMBER  
SEE TABLE



mat'l. code		surface ISO 1302		tolerance ISO 406 ISO 1101		projection ISO 10		product family HEADER	
file		tolerances unless otherwise specified		INCH/MM		scale 2:1		sheet 1 of 2 size	
lir	ecn no	dr	date	angles	linear			2 ROW GUIDE PIN HEADER, VERT (SLOTTED) SGL PIN ADVAN. GND.	
F	V70823	SAR	6/3/97		XXX±.01/XXX±0.3			dwg no 79839	
G	V01251	MDF	5/22/00		XXX±.005/XXX±0.13			A3	
H	V21028	RGD	6/10/02	0°±2'	XXX±.0020/XXX±0.05			type Product Customer Drawing	
J	V03-0342	GJP	3/24/03	dr	M. FETROW	11/21/94			
K	M05-0089	ERE	5/20/05	eng	L. FYE	11/21/94			
L	M07-0116	AGS	2/25/07	chr	L. FYE	11/21/94			
M	M09-0059	MHT	4/16/09	appd	L. FYE	11/21/94			
sheet	revision	M	M						
index	sheet	1	2						

PRODUCT NO. NOTE 8	SIZE	OVERALL LENGTH DIM L	DIM D	DIM E	DIM G	DIM H ±.010/0.25	DIM J ±.010/0.25	GROUND PIN LOCATION
79839-001	2 X 11	1.48/37.6	1.000/25.40	1.40/35.6	1.37/34.8	.260/6.60	.450/11.43	LEFT-POSITION A-1
79839-002	2 X 11	1.48/37.6	1.000/25.40	1.40/35.6	1.37/34.8	.260/6.60	.450/11.43	RIGHT-POSITION A-11
79839-101	2 X 11	1.48/37.6	1.000/25.40	1.40/35.6	1.37/34.8	.260/6.60	.450/11.43	POSITIONS A-1 & A-11
79839-102	2 X 11	1.48/37.6	1.000/25.40	1.40/35.6	1.37/34.8	.318/8.08	.450/11.43	POSITIONS A-1 & A-11
79839-103	2 X 48	5.18/131.5	4.700/119.38	5.10/129.5	5.07/128.7	.320/8.1	.410/10.41	POSITIONS A-1,2,3,46,47,48

NOTES:

- ① MOLDING MATERIAL: HI-TEMP RESIN  
PER UL 94 V-O.  
COLOR: NATURAL
- ② TERMINAL MATERIAL: 3/4 HARD PHOS BRONZE  
UNS C5100.
- ③ TERMINAL PLATING: 30u"/.76u GXT OVER  
50u"/1.27u Ni.
- ④ PIN RETENTION TO BE 3 LBS / 1.36 KG  
MIN PER PIN IN EITHER DIRECTION.
- ⑤ LOCATION OF ADVANCED GROUND PIN ON -001 PART,  
POSITION A-1.
- ⑥ LOCATION OF ADVANCED GROUND PIN ON -002 PART,  
POSITION A-11.
- ⑦ PRESS FIT PINS - USE ON (-1XX) PARTS ONLY.
- ⑧ ADD "LF" SUFFIX AT THE END OF PART NUMBER FOR LEAD FREE OPTION.
- ⑨ THESE PRODUCT MEETS EUROPEAN UNION DIRECTIVES AND OTHER  
COUNTRY REGULATION AS DESCRIBED IN GS-22-008.
10. THE PRODUCT IS NOT INTENDED TO BE EXPOSED TO A MANUFACTURING  
SOLDER PROCESS.
- ⑩ PLATING OPTIONS:  
MAY BE EITHER GOLD OR GXT PLATED AT MANUFACTURER'S OPTION.

mat'l. code		surface ISO 1302		tolerance ISO 406 ISO 1101		projection 		product family HEADER	
ltr	ecp no	dr	date	tolerances unless otherwise specified					
M				angles	linear	INCH/MM		title	
				0°±2'		scale 2:1		2 ROW GUIDE PIN HEADER, VERT (SLOTTED) SGL PIN ADVAN. GND.	
		dr	M. FETROW	11/21/94	dwg no				
		engr	L. FYE	11/21/94	sheet 2 of 2 size				
		chr	L. FYE	11/21/94	A3				
		appd	L. FYE	11/21/94	type Product Customer Drawing				
sheet	revision								
index	sheet								



Copyright FCJ