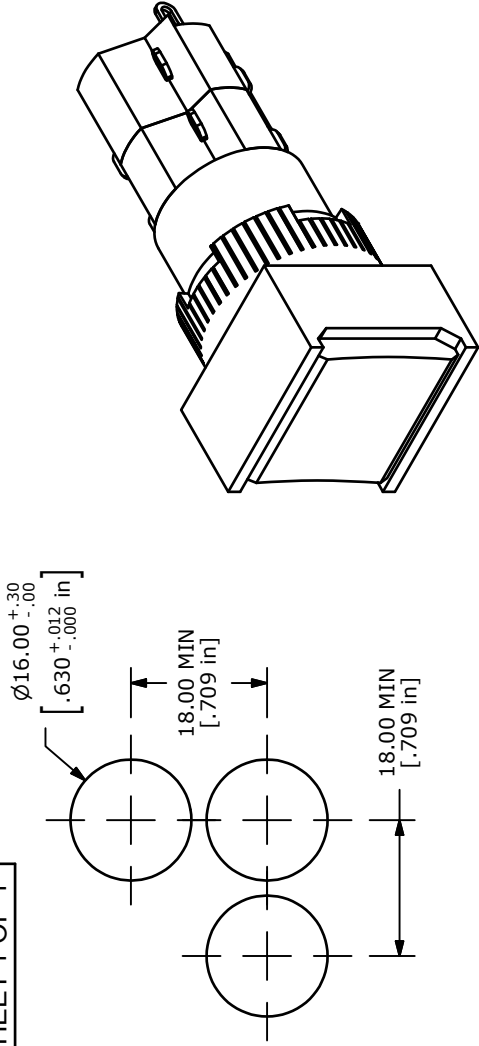
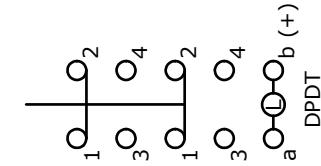
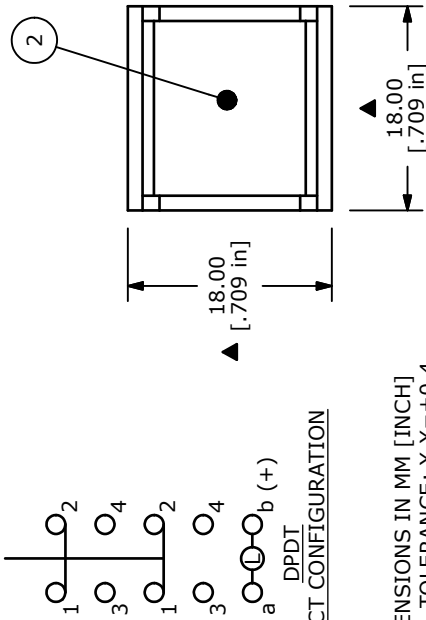


PARTS LIST

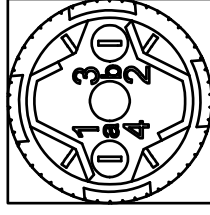
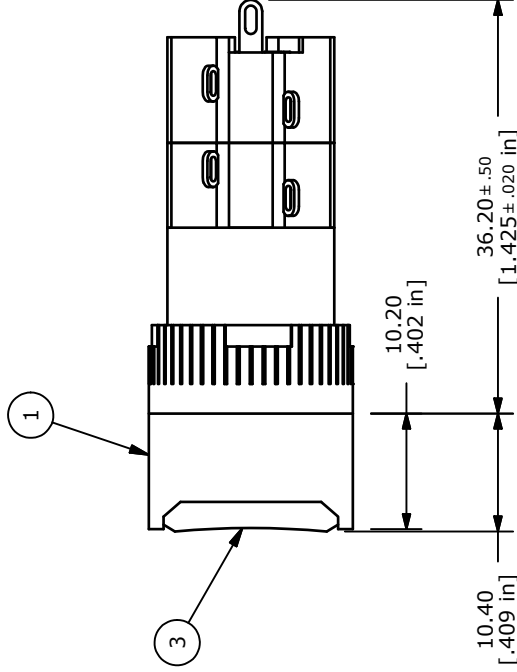
ITEM	QTY	PART NUMBER	DESCRIPTION
1	1	F040034	D16OAS22
2	1	F050420	5000420 12V DC LED (RED)
3	1	F050304	5000304 (TRANSPARENT) RED LENS



PANEL MOUNTING



CONTACT CONFIGURATION



- NOTE:
- ALL DIMENSIONS IN MM [INCH]
 - GENERAL TOLERANCE: X.X=±0.4
X.XX=±0.25
 - TERMINAL NUMBERS FOR REF ONLY
 - RATING: 5A @ 250 VAC
6A @ 24 VDC
8A @ 125 VAC
 - ELECTRIC LIFE: 50,000 MAKE-AND-BREAK CYCLES AT FULL LOAD.
 - INSULATION RESISTANCE: 1,000 MEGA-OHM MIN.
 - OPERATING TEMP.: -20°C to 55°C
 - LAMP VOLTAGE: 12V DC
 - ▲ DENOTES CRITICAL PARAMETER.
 - 2002/05/EC (ROHS) COMPLIANT.
 - PACKAGE: BOX/20 PIECES PER BOX
 - LAMP COLOR: RED LED



TITLE D16OAS22JREDRED

REV	PCR NO	DESCRIPTION	DATE	BY
A	17551	RELEASED FOR PRODUCTION	8/13/07	BF

THE INFORMATION CONTAINED IN THIS DOCUMENT IS PROPRIETARY TO E-SWITCH AND IS NOT TO BE COPIED OR TRANSFERRED

SCALE 1.5:1 DATE 1/10/2011

DR BF

DWG XF0835P

REV A