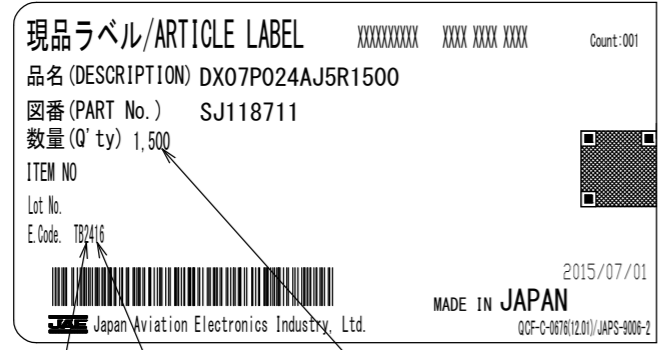
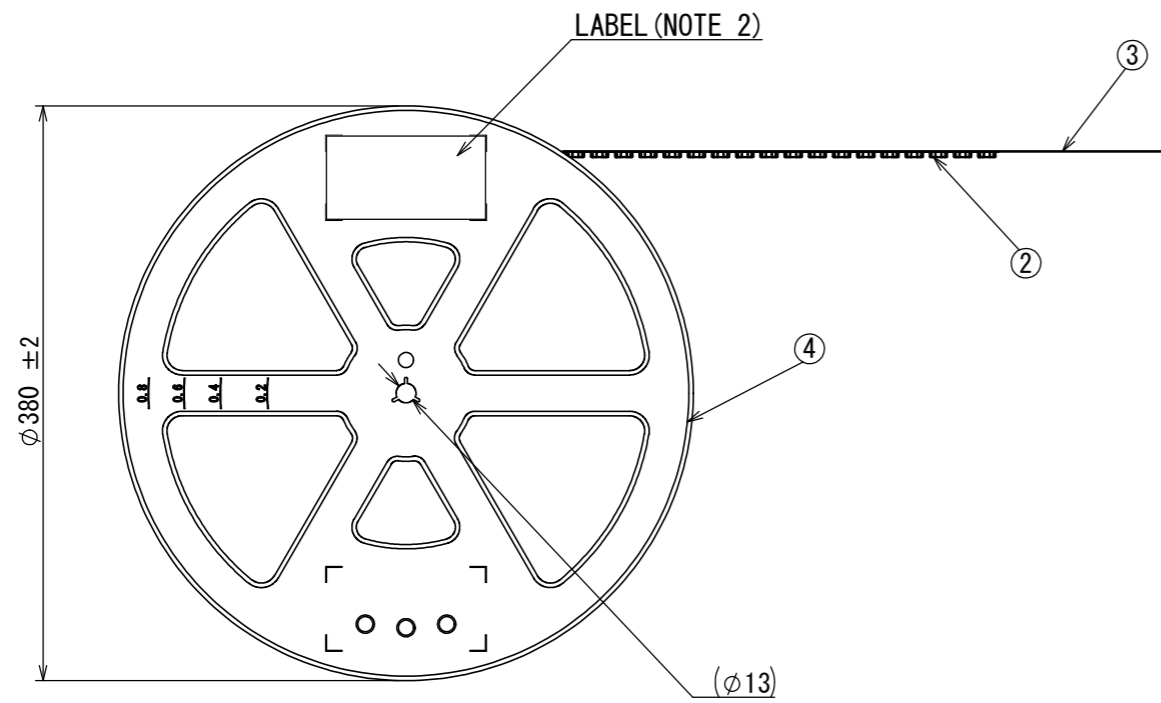
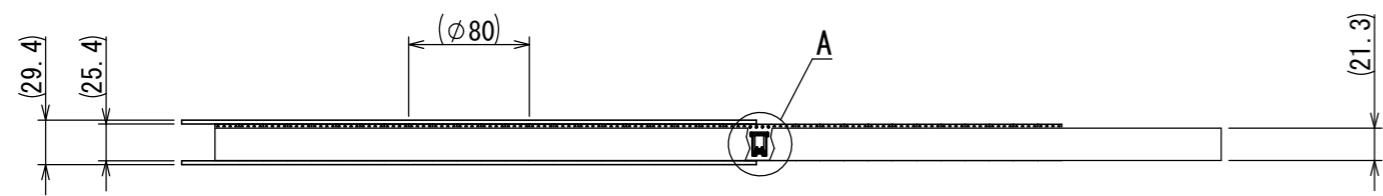


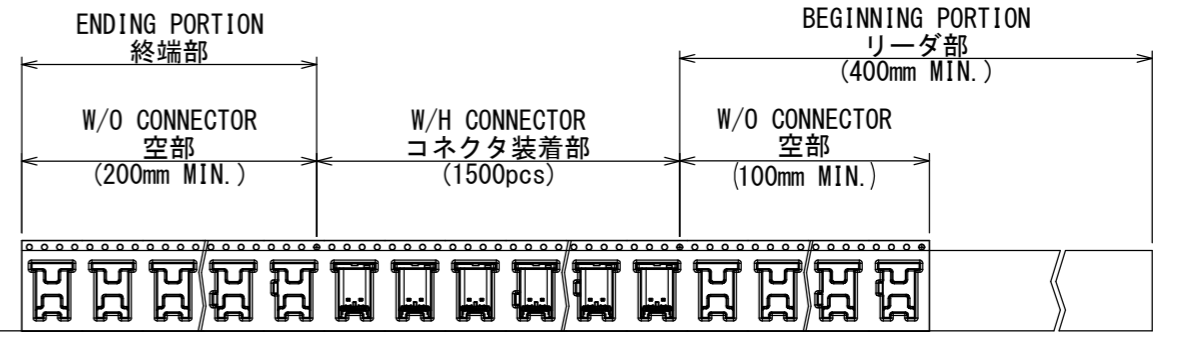
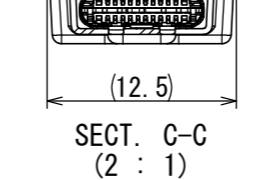
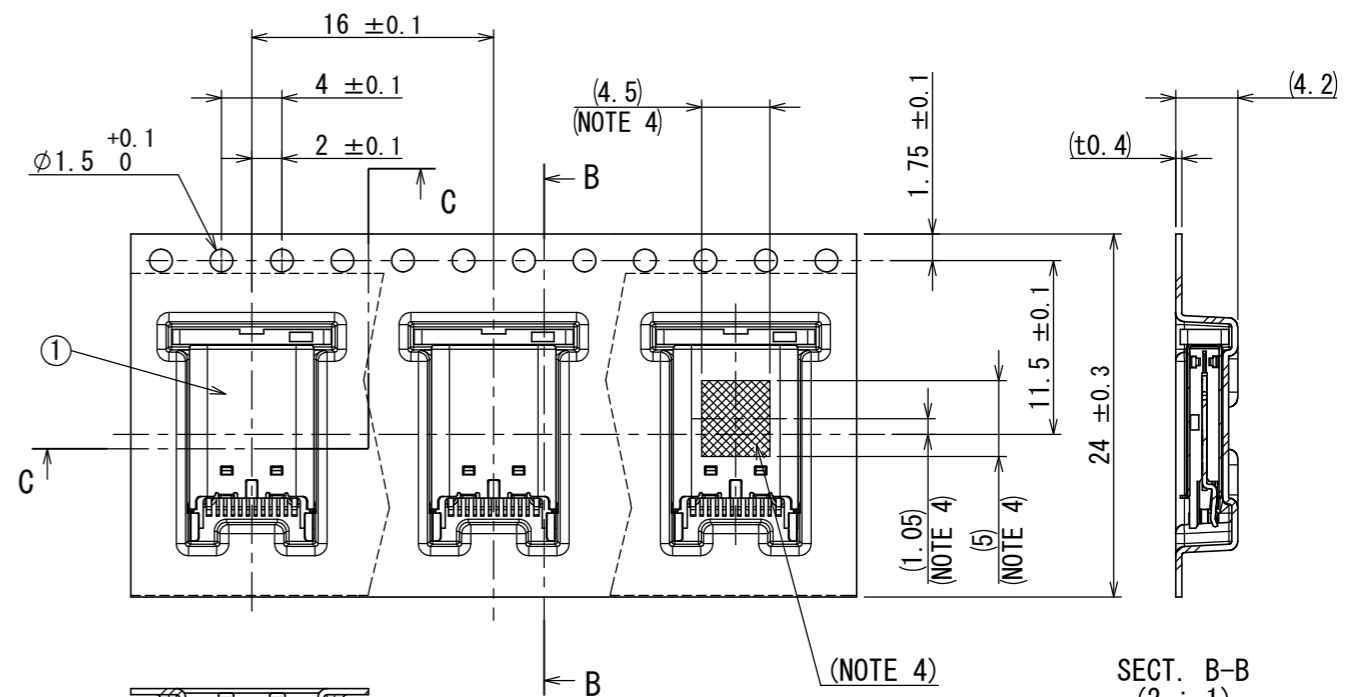
SJ118711
(ON DRAWING NO.)

版数 VER.	年月日 DATE	CN NO.	変更内容 DESCRIPTION	製図 DR.	担当 CHK.	査閲 APPD.	承認 APPD.
------------	-------------	--------	---------------------	-----------	------------	-------------	-------------



TAPE WIDTH FEED PITCH NUMBER OF CONNECTOR
LABEL (NOTE 2)

NOTE1. SUFFIX "R1500" OF PART NUMBER DX07P024AJ5R1500 INDICATES 1500PCS IN A REEL.
NOTE2. THE LABEL IN WHICH PART No., QUANTITY, LOT No., TAPE WIDTH AND FEED PITCH ARE MARKED IS ATTACHED AS SHOWN.
NOTE3. REFER TO THE DRAWING SJ118710 (DX07P024AJ5) FOR CONNECTOR DIMENSION.
NOTE4. VACUUM AREA. (REF.)

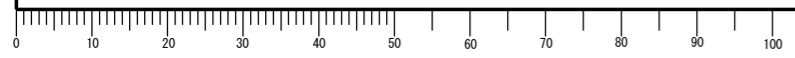


DIRECTION
引き出し方向 →

4	REEL	-	POLYSTYRENE	-	-
3	COVER TAPE	-	POLYESTER	-	-
2	CARRIER TAPE	-	POLYSTYRENE	-	-
1	CONNECTOR	1500	-	-	SJ118710
符号 NO.	名称 DESCRIPTION	個数 QTY.	材料 MATERIAL	仕上 FINISH	備考 REMARKS

仕様書 (SPECIFICATION)		第1版 (ORIGINAL DATE) 19/MAY/2017	尺度 (SCALE) —	シリーズ (SERIES) DX07	日本航空電子工業株式会社
一般公差 (GENERAL TOLERANCE)		製図 DR.	名称 (TITLE) DX07P024AJ5R1500		JAE JAPAN AVIATION ELECTRONICS INDUSTRY, LTD.
寸法 (DIMENSION)		担当 CHK. 査閲 APPD.	質量 (MASS)		
±0.8	×° ±	承認 APPD. Y. SAITOU	図面番号 (DRAWING NO.) SJ118711		版数 (VER.) 1
× ±0.4	×°× ±				
×× ±0.1	単位 (UNIT) : mm				
××× ±					

DCF-C-212H(12.08)



WISDOM承認 2017/05/23

SIZE A3