

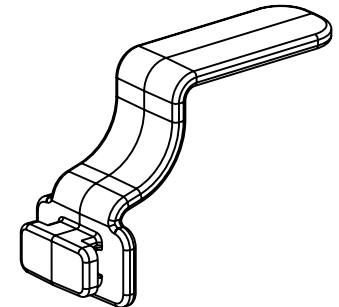
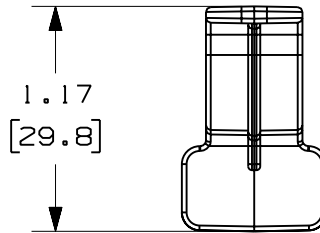
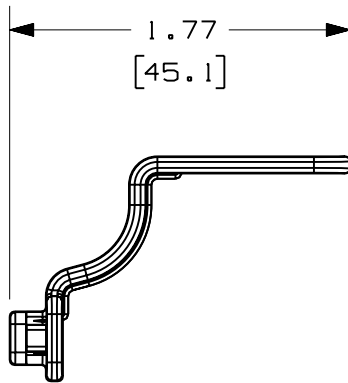
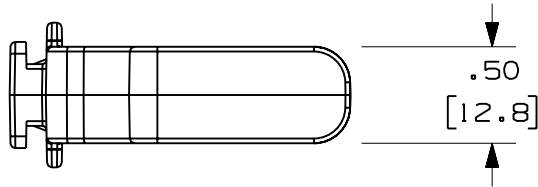
THIS COPY IS PROVIDED ON A RESTRICTED BASIS AND IS NOT TO BE USED IN ANY WAY DETRIMENTAL TO THE INTERESTS OF PANDUIT CORP.

PANDUIT PART NUMBER	WEIGHT
WR2H-C	0.53 LB/100 PC (240g/100 OC)



NOTES:

1. SEE CURRENT CATALOG FOR ADDITIONAL PART SUFFIXES TO INDICATE COLOR AND/OR PACKAGE QUANTITY.
2. DIMENSIONS IN PARENTHESES ARE IN METRIC.



ENG. REF.: D39059BD_DC_WR2H_01.prt

CAD FILENAME/LAYERS WR2H-C.pdf

PANDUIT CORP TINLEY PARK, ILLINOIS
 PANDUCT TYPE H DUCT 2" WIRE
 RETAINER (WR2H-C)
 CUSTOMER DRAWING

UNLESS OTHERWISE SPECIFIED,
 DIMENSIONAL TOLERANCES ARE:
 (.X) ± (.XXX) ±
 (.XX) ± .03 (.8) ANGLES ±

UNLESS OTHERWISE SPECIFIED,
 ALL DIMENSIONS ARE GIVEN IN
 INCHES, THIRD ANGLE PROJECTION.

REV	DATE	BY	CHK	DESCRIPTION	ECN	R	CUST	SUP	GMBH
1	7-21-06	DTP	RN	A. REVISED PART WEIGHT	39059-02	RN	RN		
R	7-20-05	MSO	SMF	RELEASED TO PRODUCTION	39059-02	RN	RN		

DRAWN BY MSO	MAT'L: ABS	SCALE NONE
DATE 7-20-05		DRAWING NO. 39059-02
CHK'D SMF		DWG A SIZE