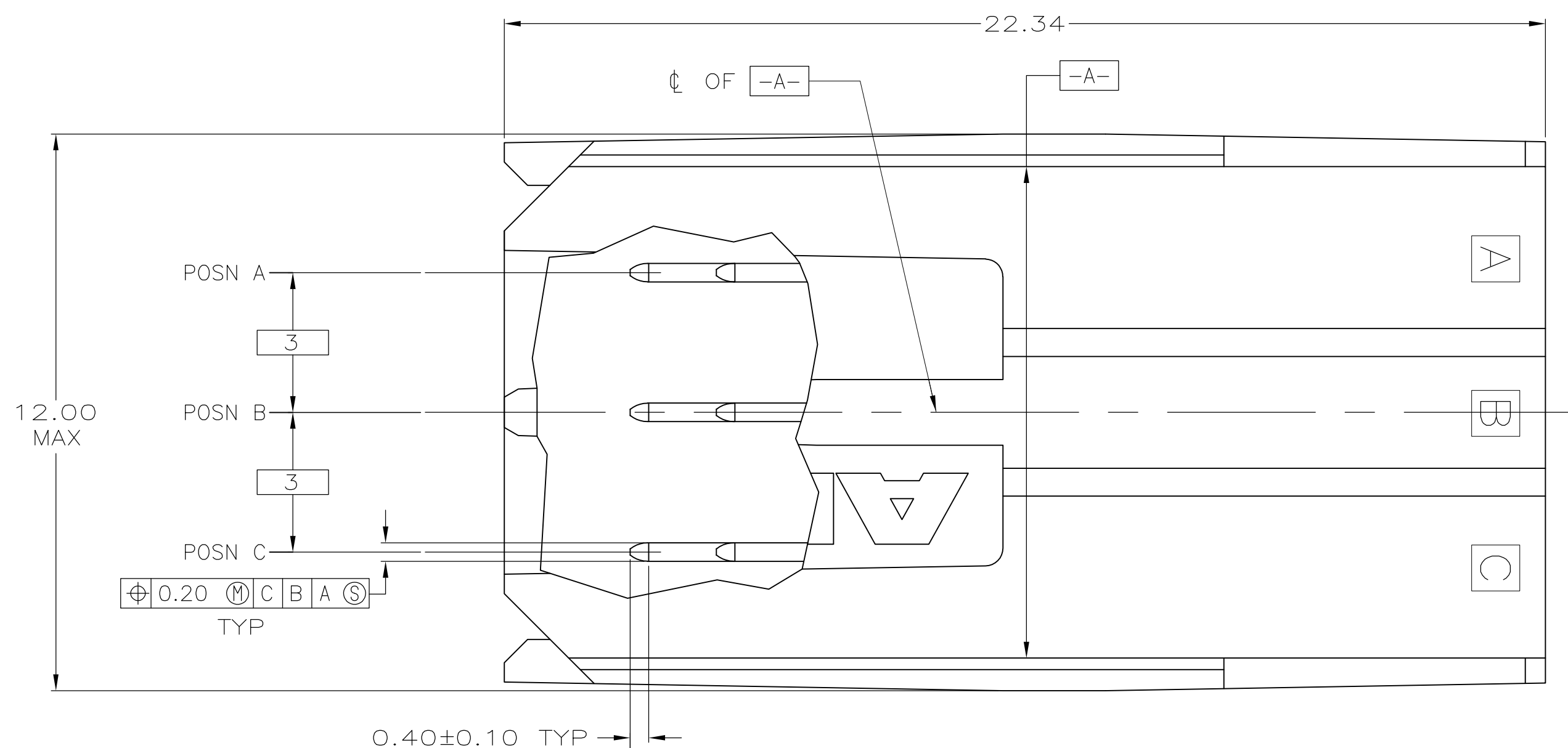
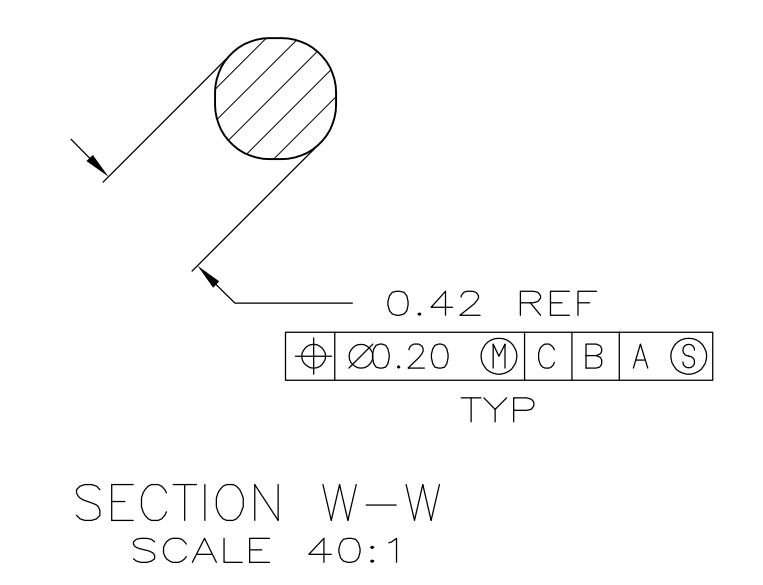
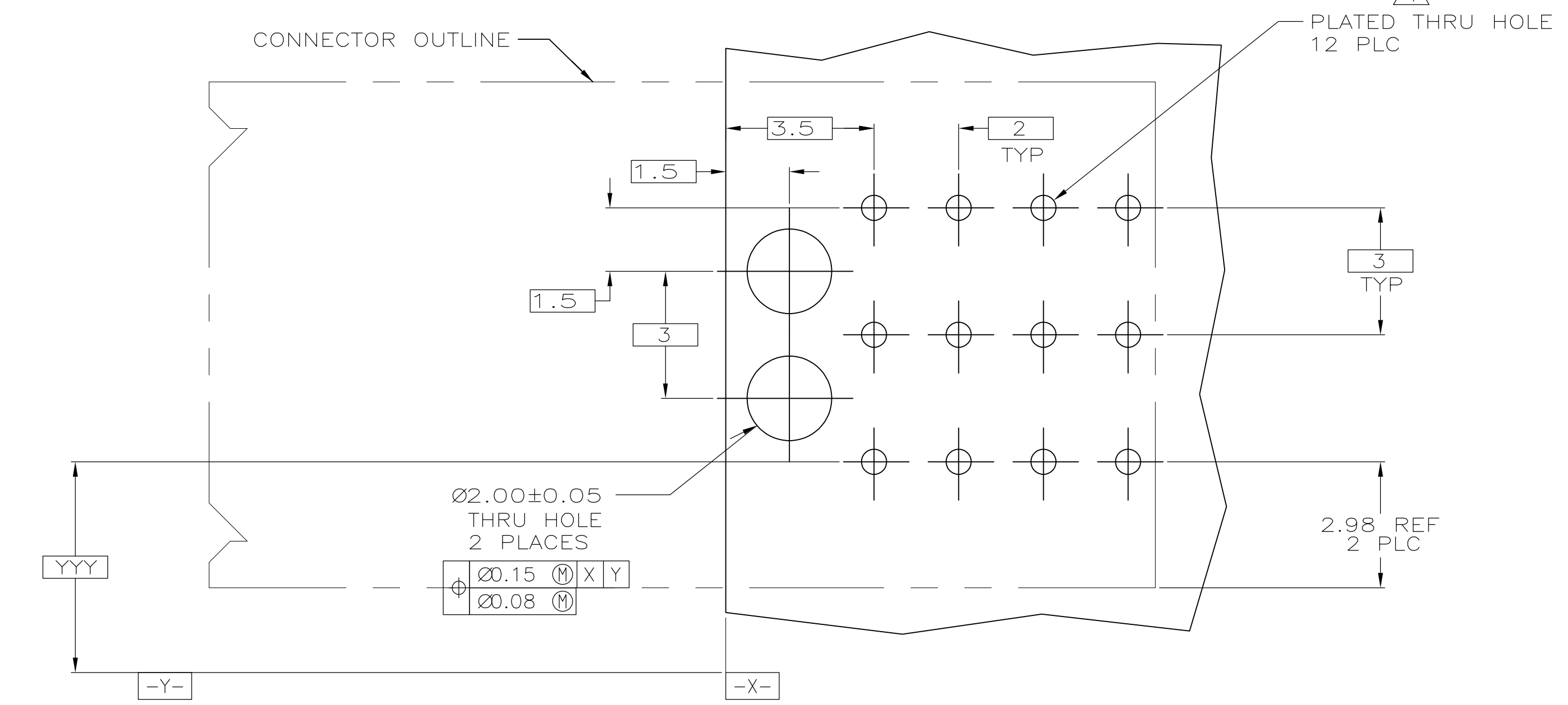
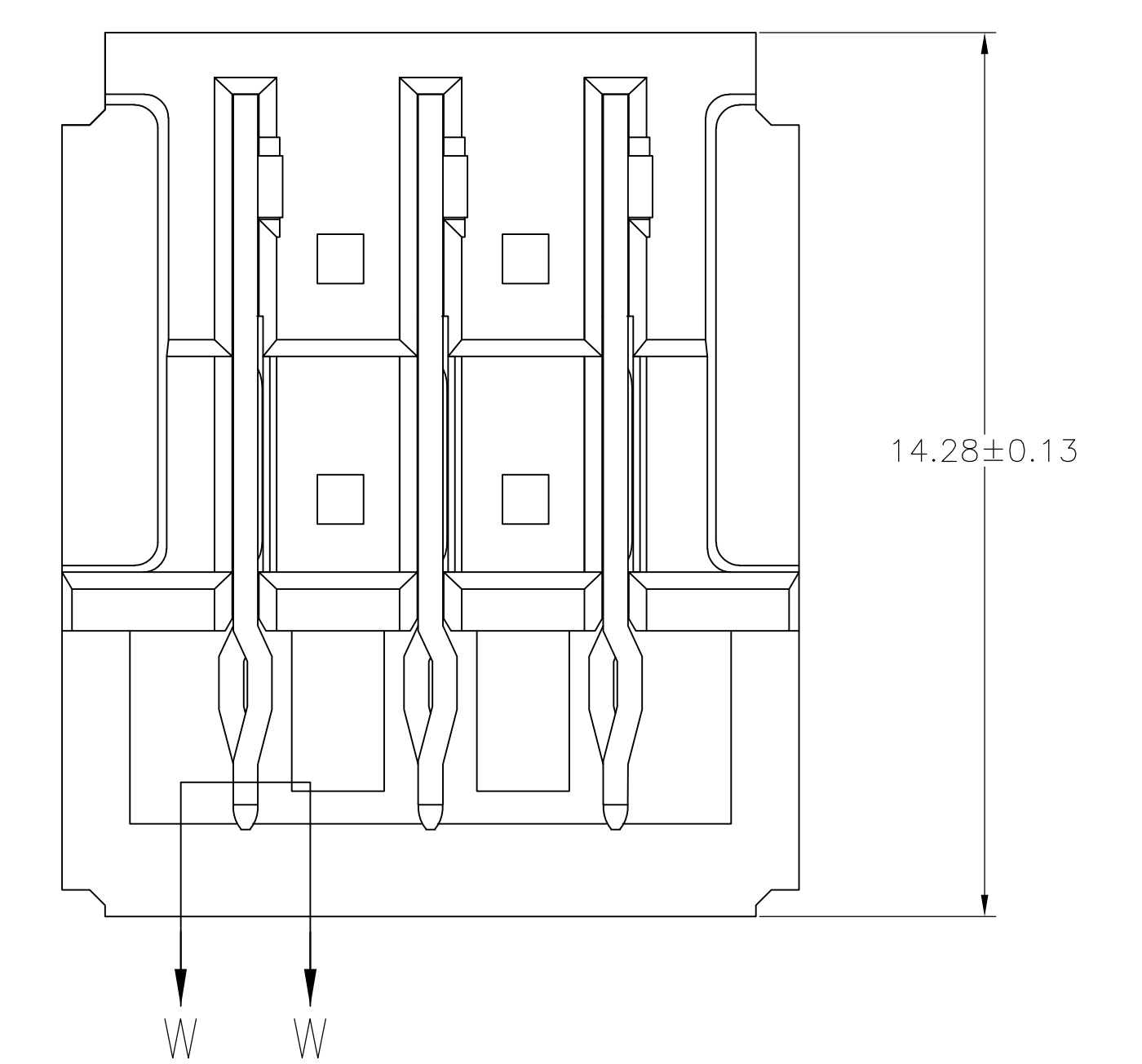
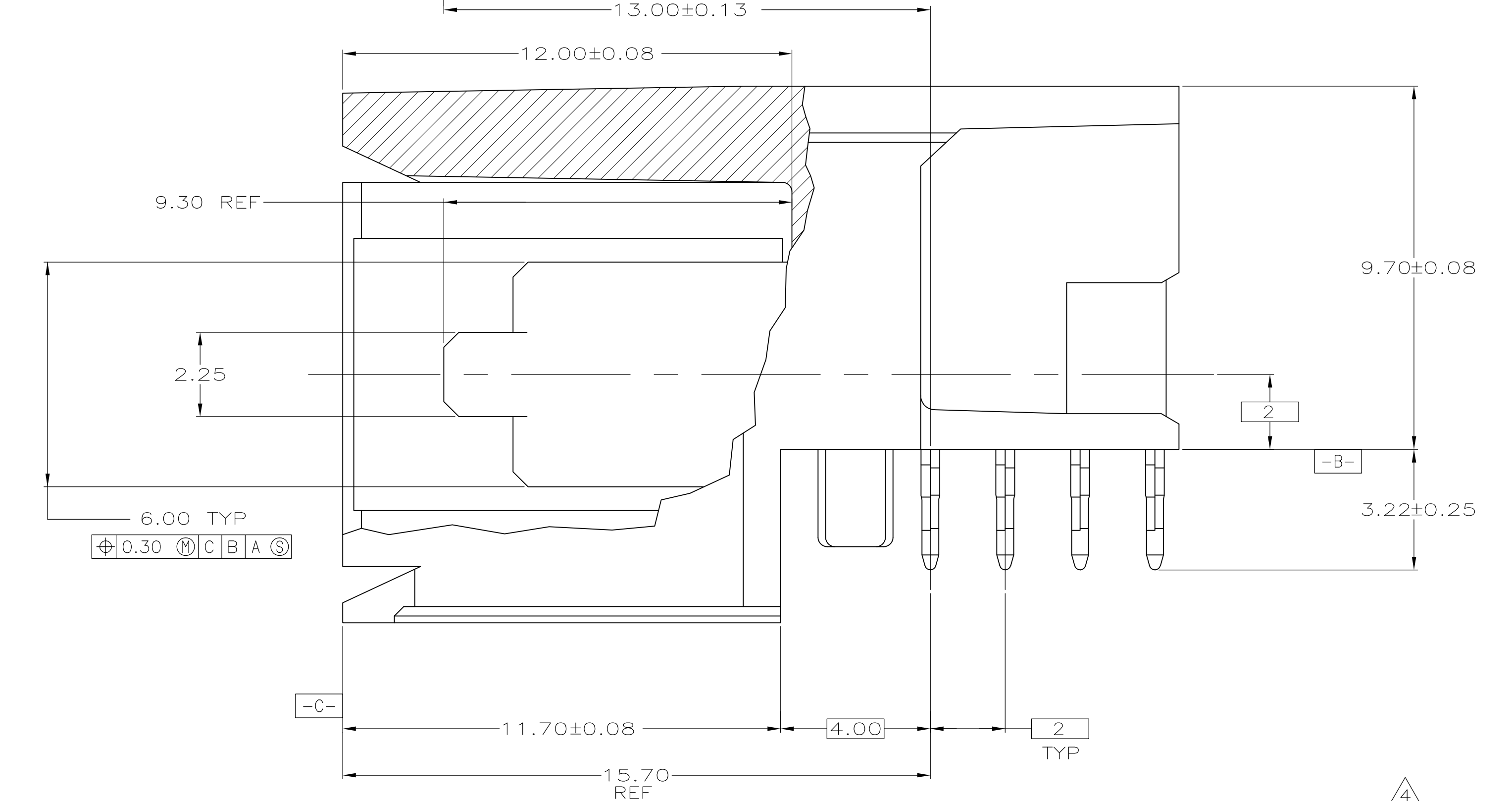
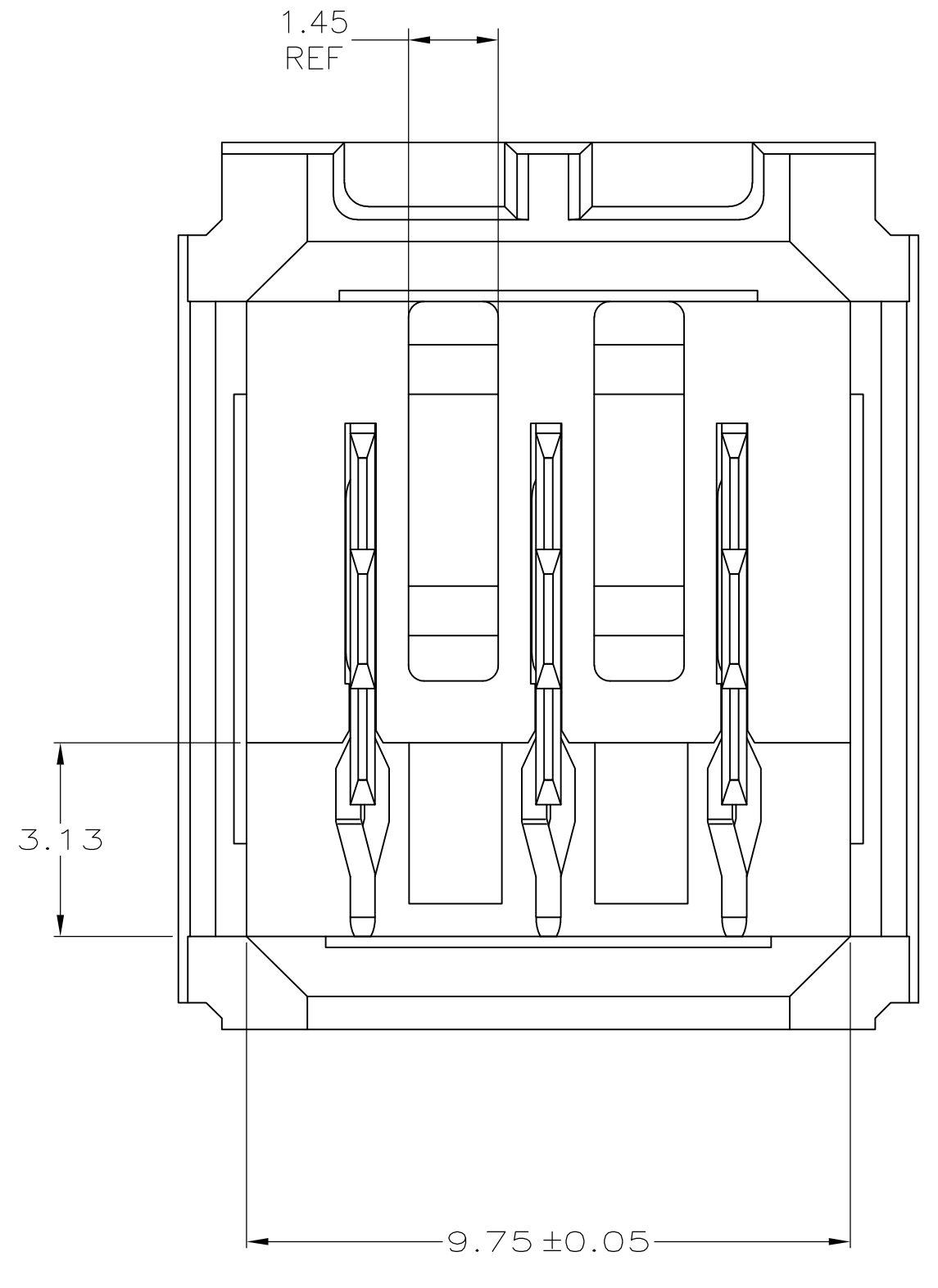


LOC		DIST		REVISIONS			
AD	00	F	LTR	DESCRIPTION	DATE	DW	APVD
		D		REVISED PER ECO-11-000045	05JAN11	DH	DY



- 1 MATERIAL: HOUSING: POLYESTER. COLOR: GREY. CONTACT: PHOSPHOR BRONZE.
- 2 FINISH: CONTACT MATING AREA: 1.27 μm MIN GOLD TO 1.27 μm MIN GOLD OR 0.08 μm MIN GOLD OVER 0.76 μm MIN PALLADIUM-NICKEL. ACTION PIN AREA: 0.5 μm MIN TIN PLATE, ALL OVER 1.27 μm MIN NICKEL UNDERPLATE.
- 3 FINISH: CONTACT LUBRICATION WITH BELLCORE APPROVED LUBRICANT. TECHNICAL REFERENCE: TR-NWT-001217 ISSUE 1, SEPT 1992.
- 4 REFERENCE APPLICATION SPEC 114-1103 FOR RECOMMENDED PLATED THRU HOLE DIAMETER AND PLATING THICKNESS.



SECTION W-W
SCALE 40:1

RECOMMENDED PCB HOLE LAYOUT

5223993-1
PART NUMBER

THIS DRAWING IS A CONTROLLED DOCUMENT.		DWG: B CARBO 14DEC04	Tyco Electronics Corporation Harrisburg, Pa 17105-3608	
DIMENSIONS: mm		CHK: R PATTERSON 14DEC04	NAME: R PATTERSON 14DEC04	
TOLERANCES UNLESS OTHERWISE SPECIFIED:		PRODUCT SPEC: ASSEMBLY, RIGHT ANGLE HEADER, W/ RETENTION PEGS, UNIVERSAL POWER MODULE		
0 PLC ± -		APPLICATION SPEC: -		
1 PLC ± -		SIZE: A1		
2 PLC ± 0.13		CAGE CODE: 00779		
3 PLC ± -		DRAWING NO: 5223993		
4 PLC ± -		RESTRICTED TO: -		
ANGLES ± -		CUSTOMER DRAWING		
MATERIAL: 1		SCALE: 10:1		
FINISH: 2, 3		SHEET: 1 OF 1		
REVISED PER ECO-11-000045		REV: D		