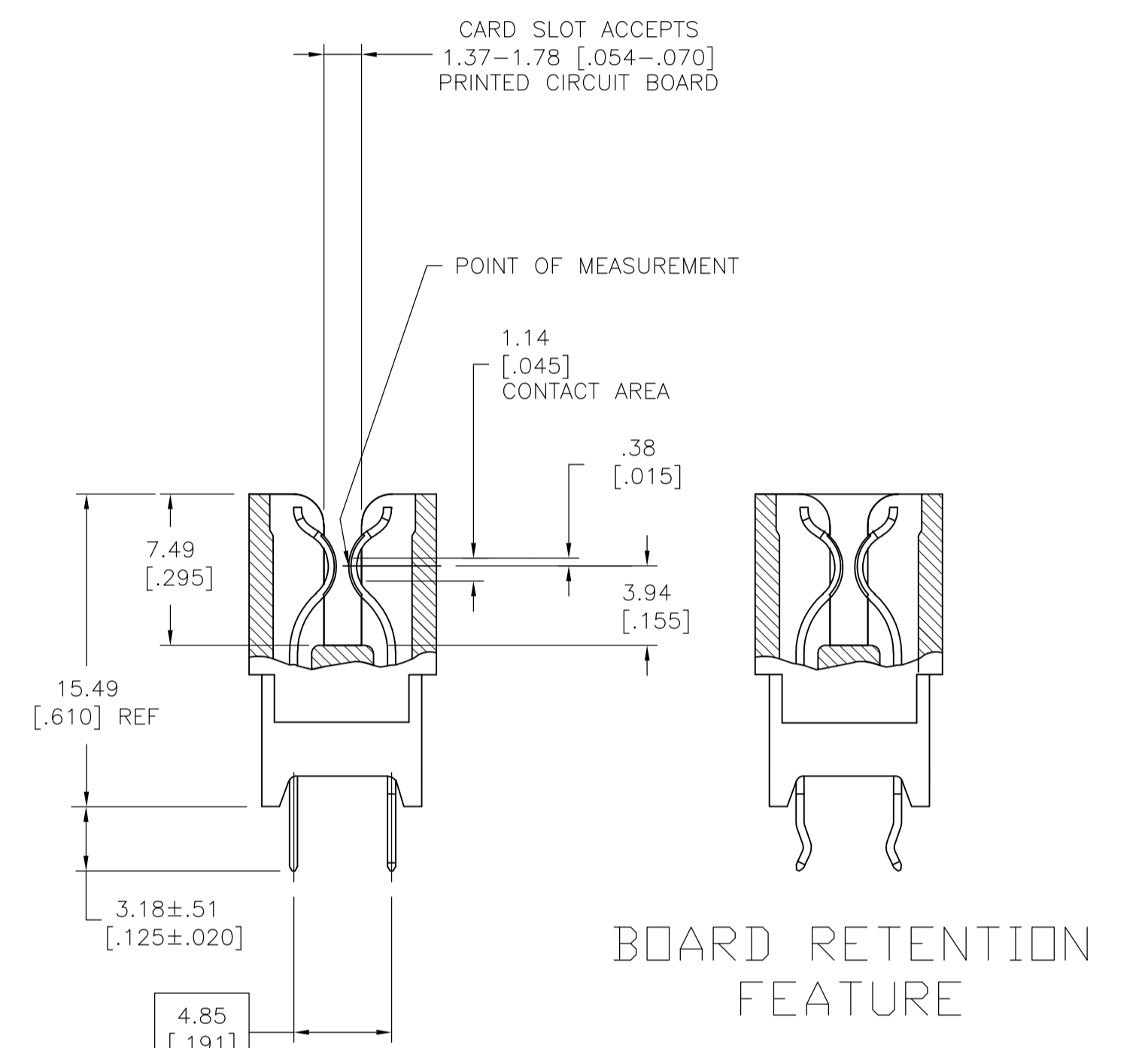
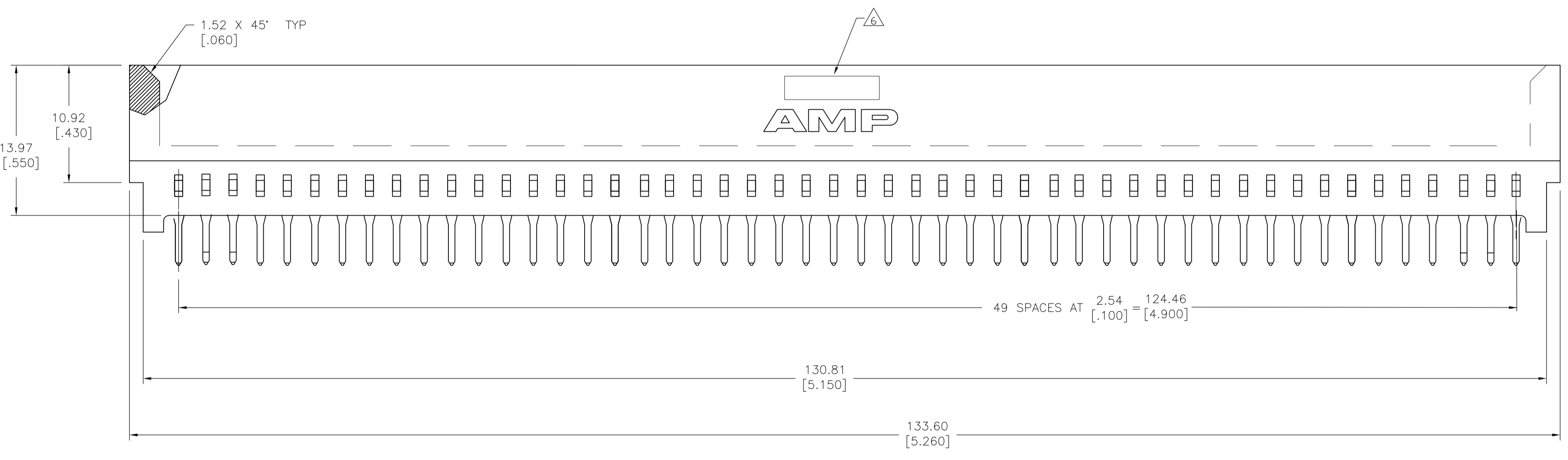
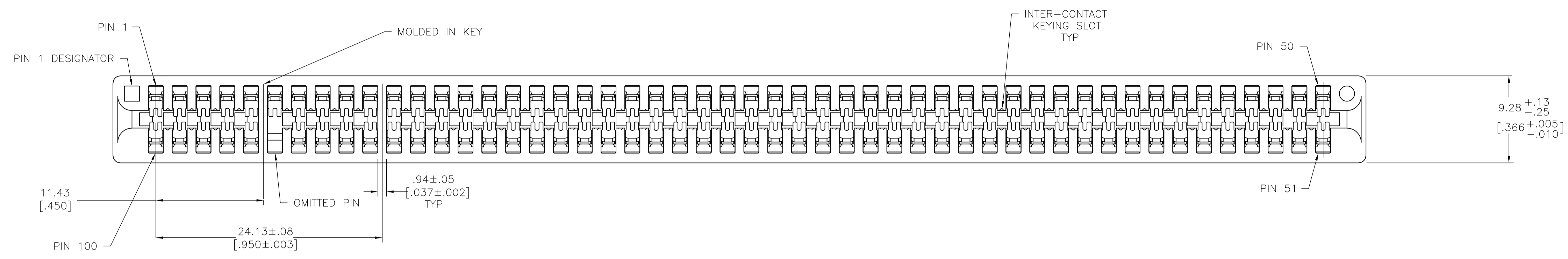


LOC		DIST		REVISIONS			
GP	00	P	LTR	DESCRIPTION	DATE	DWN	APVD
A1	REV PER	ECO-09-017748			30JULY09	RG	EH

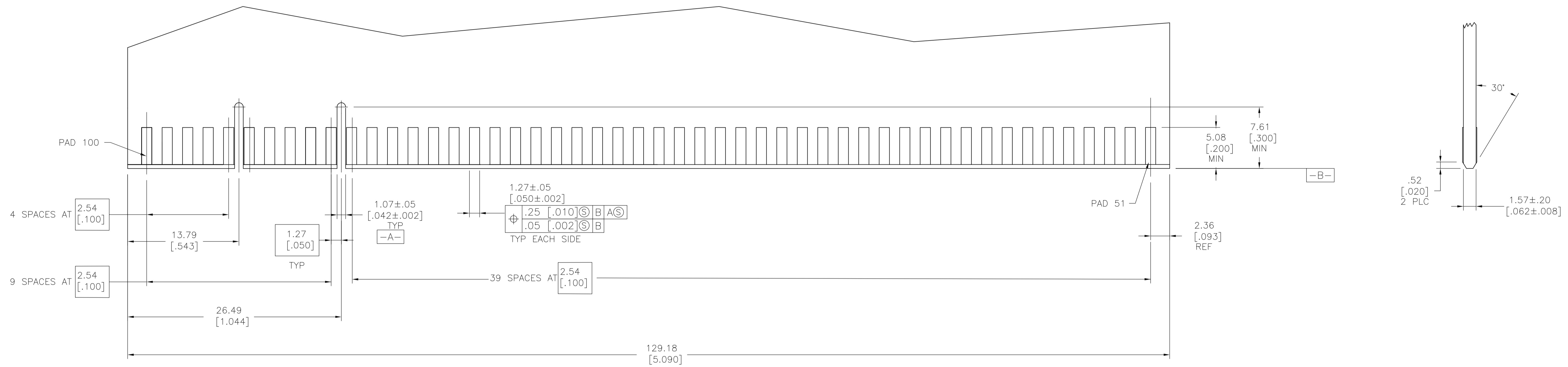


- ① HOUSING: GLASS FILLED POLYESTER, BLACK, IR REFLOW COMPATIBLE.
- ② CONTACT: HIGH CONDUCTIVITY COPPER ALLOY.
- ③ NICKEL PLATE .00127 [.000050] MIN - ALL OVER.
- ④ MATTE TIN PLATE .00254 [.000100] MIN - SOLDER POSTS.
- ⑤ GOLD PLATE .00076 [.000030] MIN - MATING AREA.
- ⑥ AMP PART NUMBER, DATE CODE AND CSA LOGO MARKED IN APPROXIMATE AREA SHOWN, EITHER SIDE.
- 7 DATUMS AND BASIC DIMENSIONS ESTABLISHED BY CUSTOMER.
- 8. CONNECTORS SHOWN ARE USED IN APPLICATIONS WITH VRM MODULES WEIGHING 3 OUNCES AND LESS. ALTERNATE CONNECTOR AND LATCH METHOD IS AVAILABLE FOR VRM MODULES WEIGHING UP TO 6 OUNCES.

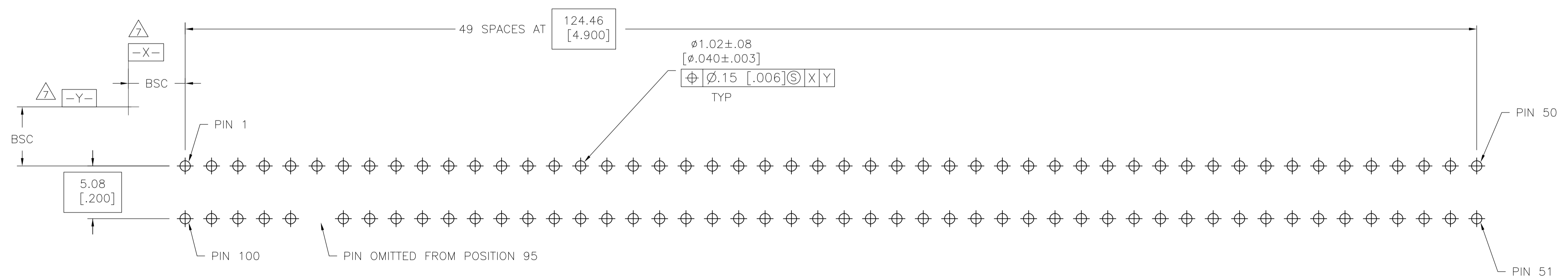
2,3,48,49,52,53,98,99	5,6 & 10,11	95	50	6658202-1
RETENTION LOCATION		MOLDED KEY LOCATE	OMITTED PIN	NO OF DUAL POSN
				PART NUMBER

THIS DRAWING IS A CONTROLLED DOCUMENT. DWN: AL FRANTUM 18 AUG 05. Csk: AL FRANTUM 18 AUG 05. Tyco Electronics Tyco Electronics Corporation Middletown, PA 17057

DIMENSIONS:	TOLERANCES UNLESS OTHERWISE SPECIFIED:	PRODUCT SPEC	NAME
0 PLC ± -	1 PLC ± -	CONNECTOR ASSEMBLY, STANDARD EDGE II	
2 PLC ± ± 0.13[.005]	3 PLC ± -	HIGH CURRENT	
4 PLC ± -	ANGLES ± °	DUAL POSITION, 2.54 [.100] CENTERLINE	
MATERIAL	FINISH	SIZE	CAGE CODE DRAWING NO
① ②	③ ④ ⑤	A1	00779 C=6658202
CUSTOMER DRAWING		WEIGHT	RESTRICTED TO
		SCALE 5:1	SHEET 1 OF 2 REV A1



RECOMMENDED MATING BOARD EDGE CONFIGURATION



RECOMMENDED PC BOARD HOLE LAYOUT

THIS DRAWING IS A CONTROLLED DOCUMENT.		DN AL FRANTUM 18 AUG 05	Tyco Electronics Corporation Middletown, PA 17057																		
TOLERANCES UNLESS OTHERWISE SPECIFIED:		CHK AL FRANTUM 18 AUG 05																			
DIMENSIONS:	<table border="1"> <tr><td>0 PLC</td><td>±</td><td>-</td></tr> <tr><td>1 PLC</td><td>±</td><td>-</td></tr> <tr><td>2 PLC</td><td>±</td><td>-</td></tr> <tr><td>3 PLC</td><td>±</td><td>.13 [.005]</td></tr> <tr><td>4 PLC</td><td>±</td><td>-</td></tr> <tr><td>ANGLES</td><td>±</td><td>-</td></tr> </table>	0 PLC	±	-	1 PLC	±	-	2 PLC	±	-	3 PLC	±	.13 [.005]	4 PLC	±	-	ANGLES	±	-	APVD	NAME
0 PLC	±	-																			
1 PLC	±	-																			
2 PLC	±	-																			
3 PLC	±	.13 [.005]																			
4 PLC	±	-																			
ANGLES	±	-																			
		PRODUCT SPEC	CONNECTOR ASSEMBLY, STANDARD EDGE II																		
MATERIAL	FINISH	APPLICATION SPEC	HIGH CURRENT																		
		WEIGHT	DUAL POSITION, 2.54 [.100] CENTERLINE																		
		CUSTOMER DRAWING	SIZE CAGE CODE DRAWING NO RESTRICTED TO																		
			A1 00779 C=6658202																		
			SCALE 5:1 SHEET 2 OF 2 REV A1																		