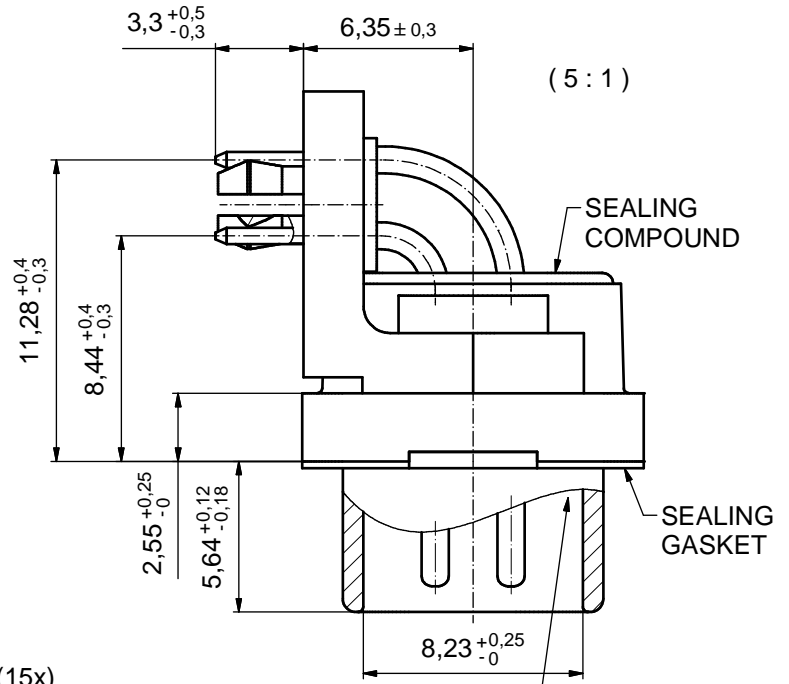
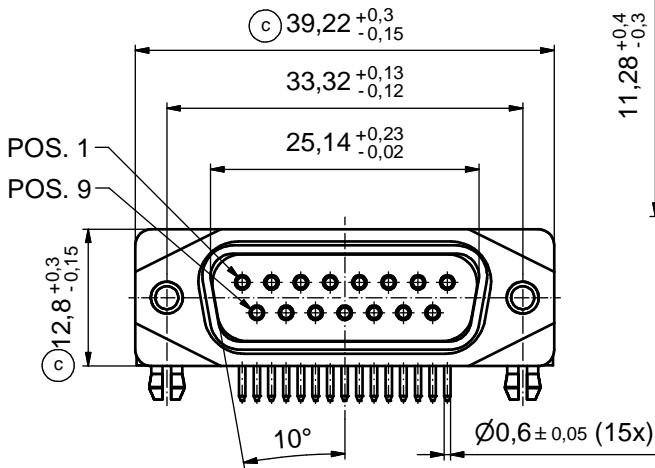
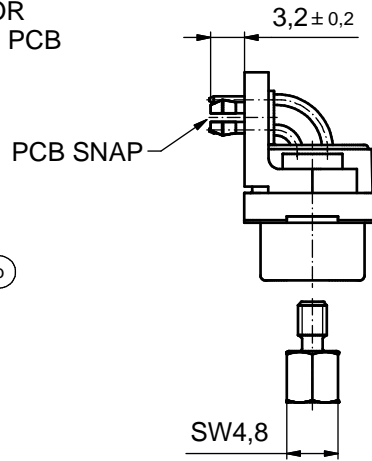
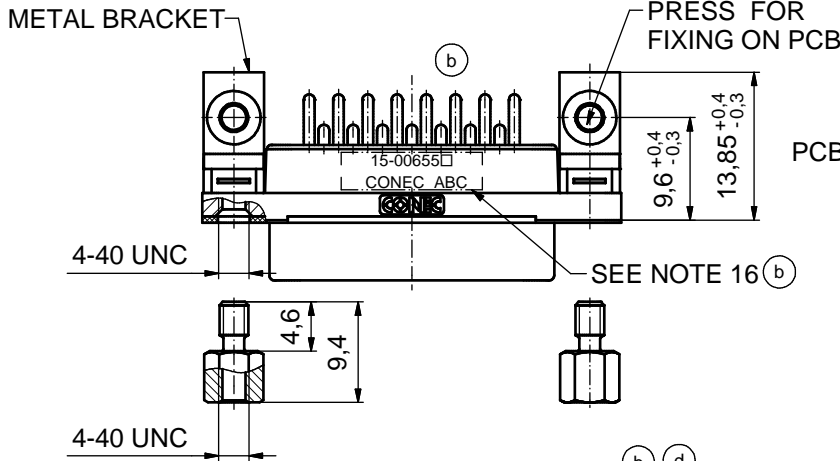


AT ALL TIMES WATER RESISTANT CONNECTORS NOT IN USE SHOULD BE COVERED WITH A CONEC WATER RESISTANT CAP OR WATER TIGHT HOOD.



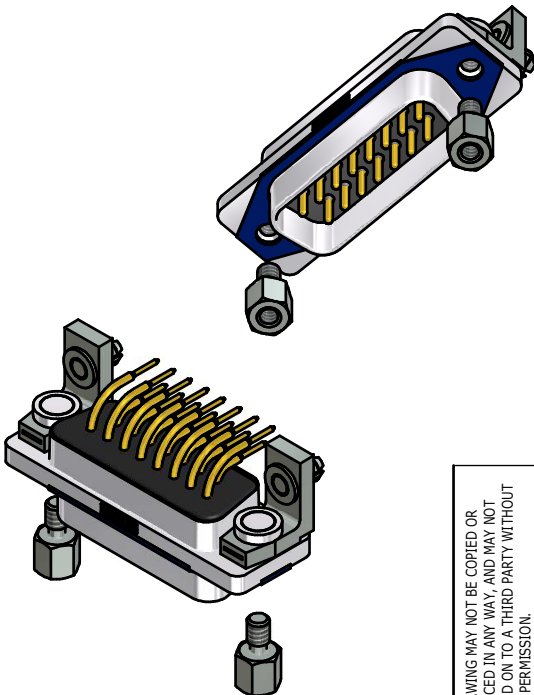
RUBBER GASKET PLACED ON TOP SURFACE OF MALE INSULATOR



(b) (d)

NOTES:

- FOR WAVESOLDERING (SOLDER BATH TEMPERATURE 265°C FOR 8 SEC. AND SOLDER PREHEAT 150°C FOR 180 SEC.)
- IP RATING: IP 67
- SEALED TO WITHSTAND PRESSURE UP TO 1,45 PSI FOR 30 MINUTES AFTER HIGH TEMPERATURE EXPOSURE
- METALSHELL: ZINC DIE CAST; min. 50µm NICKEL PLATING over COPPER
- INSULATORS: PBT GF UL 94 V-0; BLACK
- SEALING GASKET: SILICONE; BLUE
- RUBBER GASKET: TPE; BLACK
- SEALING COMPOUND: EPOXY RESIN UL 94 V-0; BLACK
- CONTACTS: COPPER ALLOY  
PLATING (SEE PART NO.): □ PLEASE ADD 1 for 30µm HARD GOLD over min. 50µm NICKEL  
□ PLEASE ADD 3 for GOLD FLASH over NICKEL
- METAL BRACKETS: ZINC DIE CAST; 300µm COPPER/40-120µm NICKEL/120-200µm TIN
- WASHERS: COPPER ALLOY; 80µm NICKEL
- HEXLOCKING SCREWS: STAINLESS STEEL
- PCB-SNAPS: COPPER ALLOY; min. 200µm TIN over 80µm NICKEL  
PCB-HOLE:  $\varnothing 3,1 \pm 0,1$ mm; PCB THICKNESS 1,6mm
- P.C.B. HOLE DRILLINGS and RECOMMENDED PANEL CUT-OUT ON SHEET 2
- RECOMMENDED TORQUE FOR MOUNTING SCREW 35Ncm (3.1 in.LB) / max. 67Ncm (6 in.LB)
- CONNECTOR IS PART MARKED: 15-00655 □ CONEC ABC (see note 9)

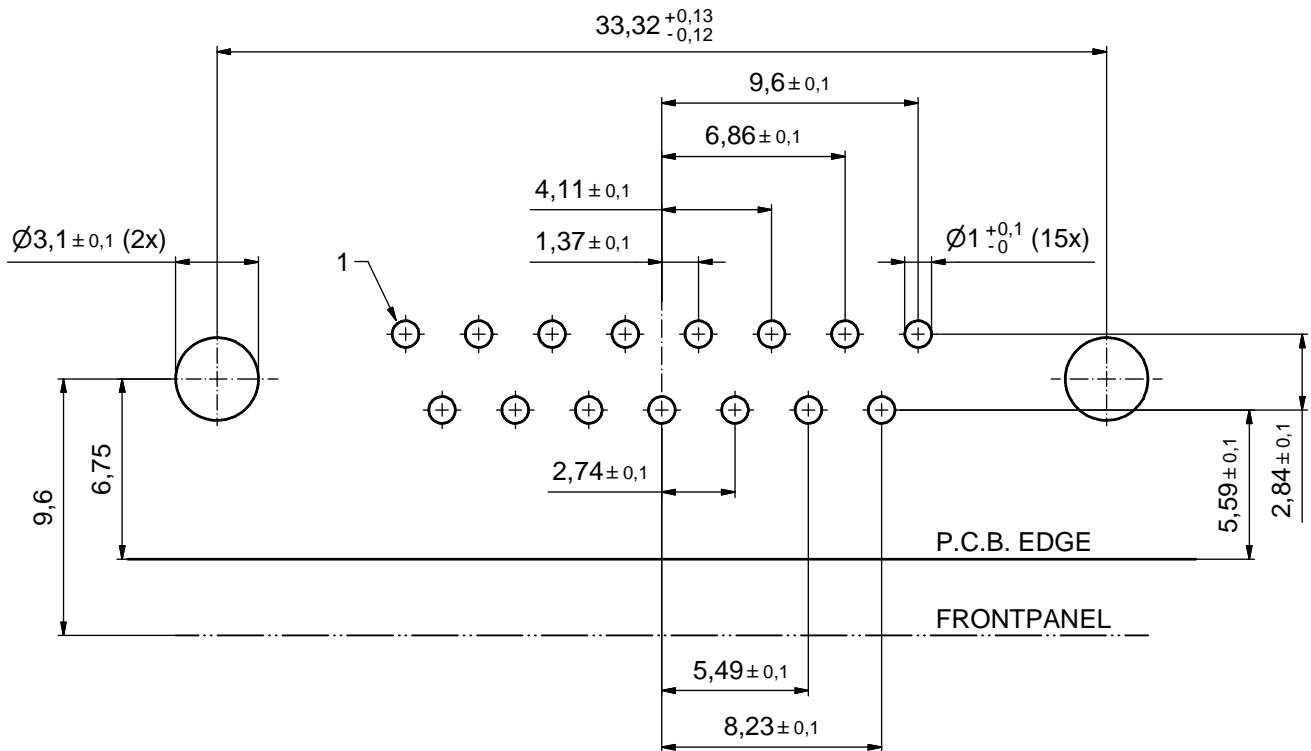


RoHS compliant

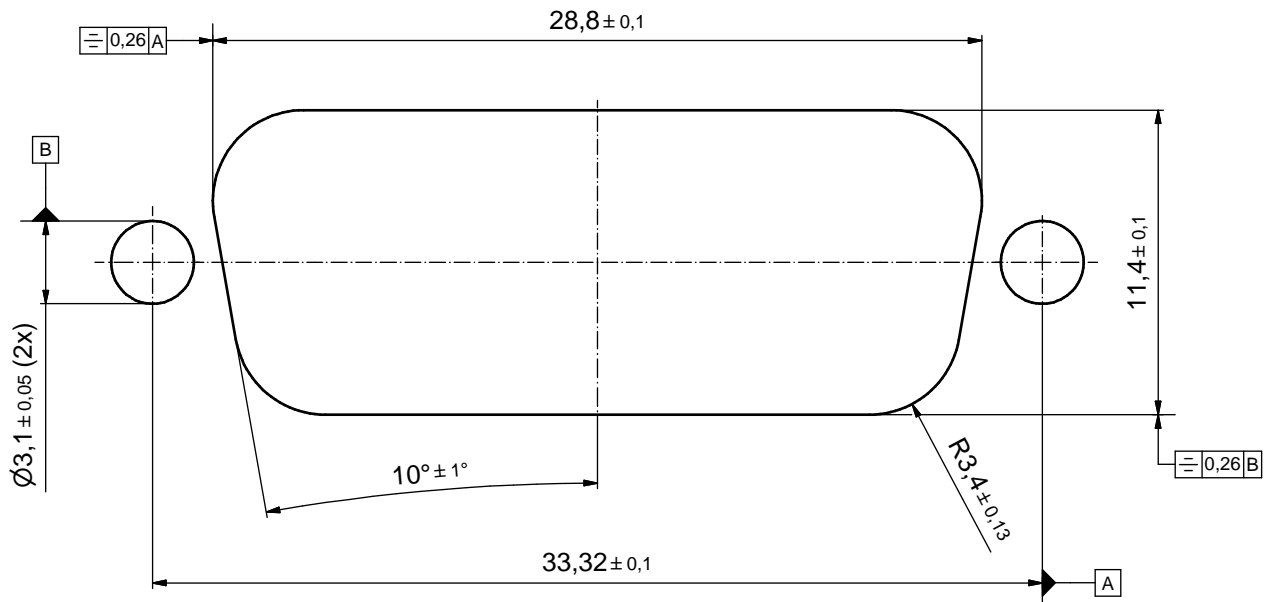
THIS DRAWING MAY NOT BE COPIED OR REPRODUCED IN ANY WAY, AND MAY NOT BE PASSED ON TO A THIRD PARTY WITHOUT WRITTEN PERMISSION. OWNERSHIP AND COPYRIGHT OF CONEC GmbH DO NOT ALTER CAD DRAWING BY HAND	tolerance		dim. in mm		scale:	2:1 (5:1)
	date		name		material:	SEE NOTES
	drawn	18.09.14	Lehmenkühler		title:	
	appd.	26.01.15	Fischer		(d) D-SUB MALE 90° 15pos. SOLDER PIN ANGLED (b) with closed 4-40 UNC thread, metal bracket, snap	
2 x d	Ä5827	25.09.15	Unkrüer	norm	dwg no:	DIN-A3
2 x c	Ä5800	04.09.15	M.H.	d-old	15K1A1552	sh: 1
4 x b	Ä5793	02.9.2015	K.H.			
a	Original				part no:	15-00655 □ (see note 9)
rev.	description	date	name	<b>CONEC</b>		

# P.C.B. HOLE DRILLINGS

(P.C.B. TOP SIDE)



## RECOMMENDED PANEL CUT-OUT



THIS DRAWING MAY NOT BE COPIED OR REPRODUCED IN ANY WAY, AND MAY NOT BE PASSED ON TO A THIRD PARTY WITHOUT WRITTEN PERMISSION. OWNERSHIP AND COPYRIGHT OF CONEC GmbH DO NOT ALTER CAD DRAWING BY HAND			tolerance		scale:	5:1	
			dim. in mm		material:	SEE SHEET 1	
	drawn	18.09.14	Lehmenkühler	title:			
	appd.	26.01.15	Fischer	P.C.B. HOLE DRILLINGS			
	norm			RECOMMENDED PANEL CUT-OUT			
d-old			D-SUB Male 90° 15pos. Solder pin angled				
rev.	a	Original	<b>CONEC</b> <sup>®</sup>		dwg no:	15K1A1552	DIN-A3
description					part no:	SEE SHEET 1	sh: 2