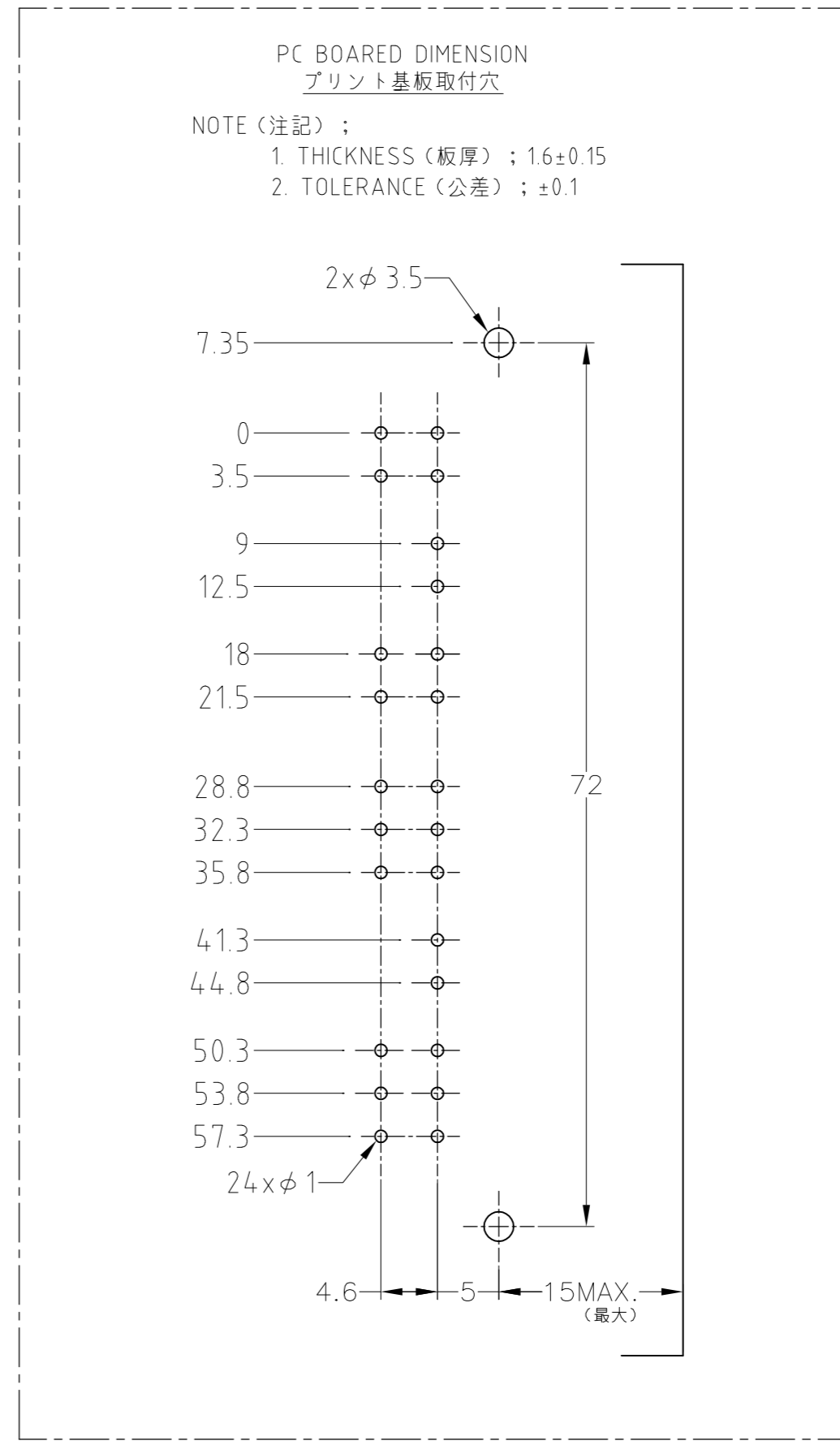
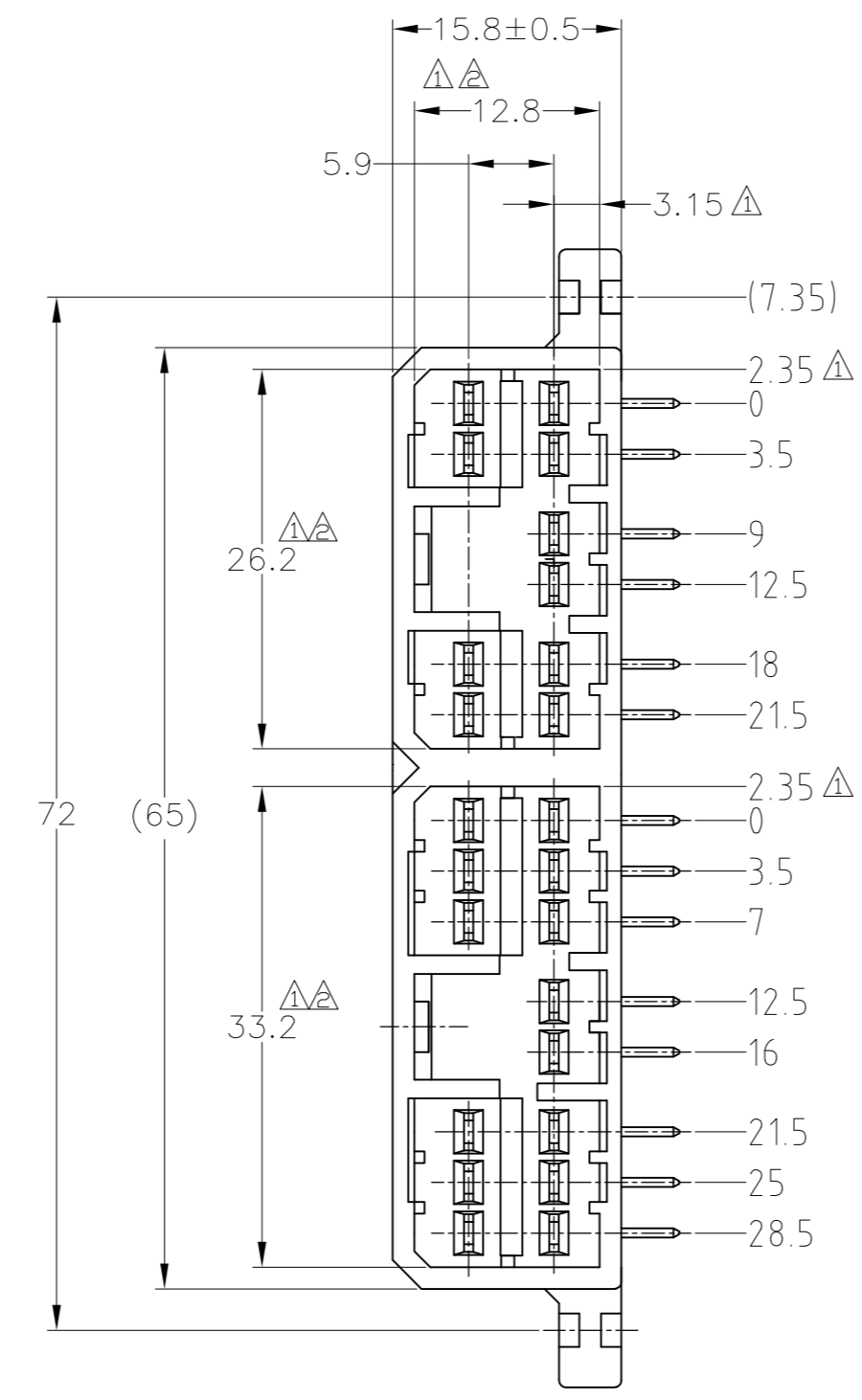
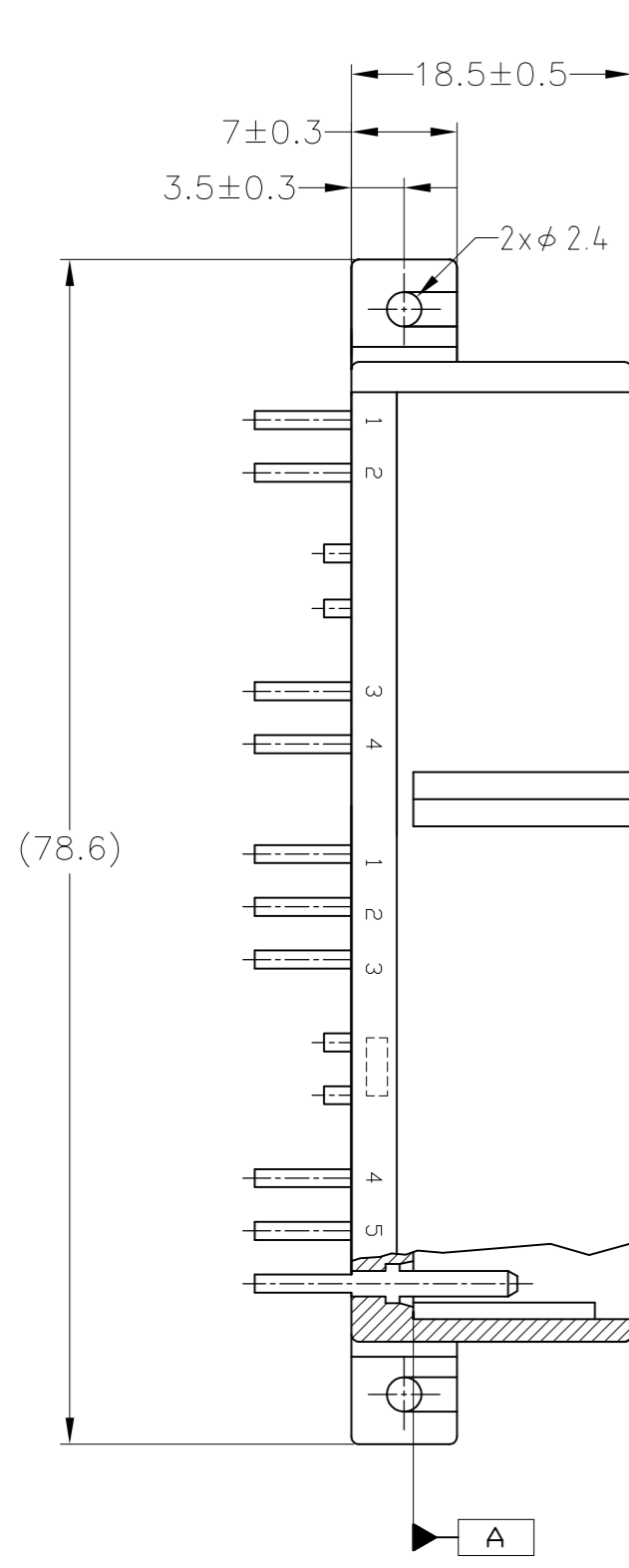
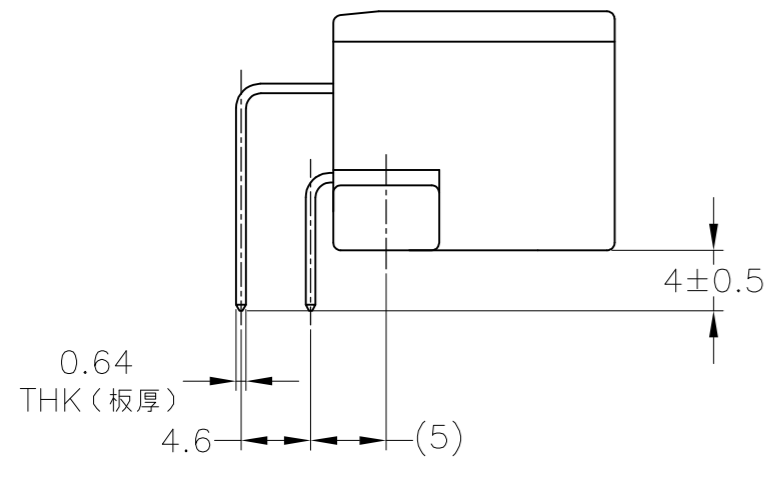


THIS DRAWING IS UNPUBLISHED. RELEASED FOR PUBLICATION
 © COPYRIGHT 2016 Tyco Electronics Japan G.K. ALL RIGHTS RESERVED.

REVISIONS					
P	LTR	DESCRIPTION	DATE	DWN	APVD
E3		OBSOLETE 4--1 ECR-16-003088	16AUG16	KF	HY

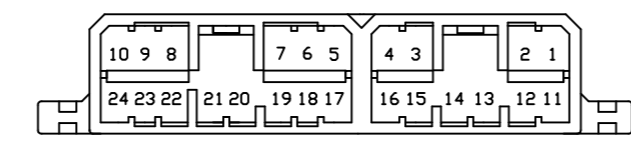


NOTE (注記);
 1. THICKNESS (板厚); 1.6±0.15
 2. TOLERANCE (公差); ±0.1



- △ [A] 面より2mmの範囲で測定。
- △ 相手ハウジングと所定の機能を満足して嵌合できること
- 3. プリント基板への取付は、JIS B1115又は1122 M3×6ナベ (2種又は4種) のタッピングネジで締付けた後ハンダ付する (締付けトルク: 0.4N-m 以下)
- △ 回路番号: 下図参照のこと。
- 5. 製品規格; 108-5216

- △ TO BE MEASURED BETWEEN [A] AND 2
- △ TO BE MATE WITH PLUG HSG SMOOTHLY
- 3. TO BE USE M3 TAPPING SCREW JIS B1115 OR 1122 (TYPE 2 OR 4) BEFORE SOLDER
- △ CIRCUIT NUMBER.



5. PRODUCT SPEC.; 108-5216

SELECTIVE-TIN (MATTE)	SELECTIVE GOLD x 6	3,5~7,12,21 (6極)	1,2,4,8~11,13~20,22~24 (18極)	NATURAL 自然色	4-5173864-1
PRE-TIN x 18					
SELECTIVE-TIN (MATTE)	SELECTIVE GOLD x 24	1~24 (全極)	-	NATURAL 自然色	2-5173864-1
TIN-LEAD	SELECTIVE GOLD x 6	3,5~7,12,21 (6極)	1,2,4,8~11,13~20,22~24 (18極)	NATURAL 自然色	4-173864-1
PRE-TIN x 18					
SEE CUSTOMER DRAWING 3-173864-1					
TIN-LEAD	SELECTIVE GOLD x 24	1~24 (全極)	-	NATURAL 自然色	2-173864-1
PRE-TIN x 24			1~24 (全極)	YELLOW 黄色	173864-7
PRE-TIN x 24			1~24 (全極)	GRAY 灰色	173864-6
PRE-TIN x 24			1~24 (全極)	GREEN 緑色	173864-4
PRE-TIN x 24			1~24 (全極)	NATURAL 自然色	173864-1
SOLDERING SIDE 手付け側	CONTACT SIDE 接触部側	△ GOLD PLATED CIRCUIT NO. 全めっき回路番号		△ PRE-TIN CIRCUIT NO. 銅めっき回路番号	COLOR 色
CONTACT FINISH コンタクト仕上		PART NUMBER 製品型番			

TOLERANCE UNLESS OTHERWISE SPECIFIED: 一般公差

0 < x ≤ 10 : ±0.2
 10 < x ≤ 30 : ±0.25
 30 < x ≤ 100 : ±0.3
 ANGLE : ±3°

THIS DRAWING IS A CONTROLLED DOCUMENT.

DIMENSIONS: 単位: 寸 mm

TOLERANCES UNLESS OTHERWISE SPECIFIED: 一般公差

0 PLC ±
 1 PLC ±
 2 PLC ±
 3 PLC ±
 4 PLC ±
 ANGLES ±

MATERIAL 材料: HOUSING: PBT CONTACT: BRASS

FINISH 仕上: SEE TABLE

DWN: T.SHINOHARA 19SEP03
 CHK: K.BETSUI 19SEP03
 APVD: K.BETSUI 19SEP03

PRODUCT SPEC: 108-5216
 APPLICATION SPEC: 取付適用規格

WEIGHT: 13.4 g

CUSTOMER DRAWING

TE Connectivity

070 SERIES MULTI-LOCK I/O CONNECTOR 24POSITION CAP HOUSING ASSEMBLY

SIZE: A2 CAGE CODE: 00779 DRAWING NO: C=173864

RESTRICTED TO: 1 of 1 REV: E3