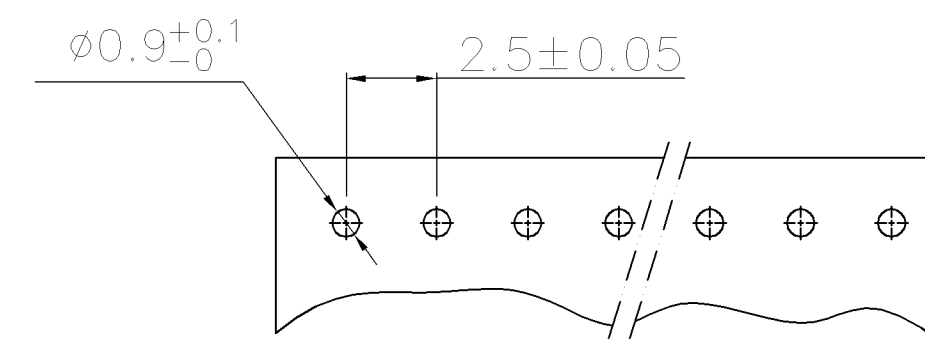
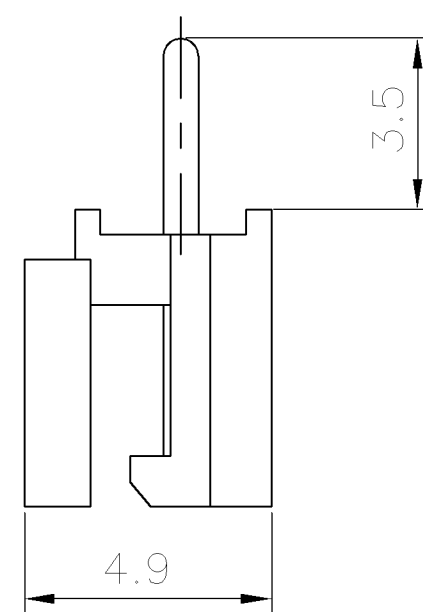
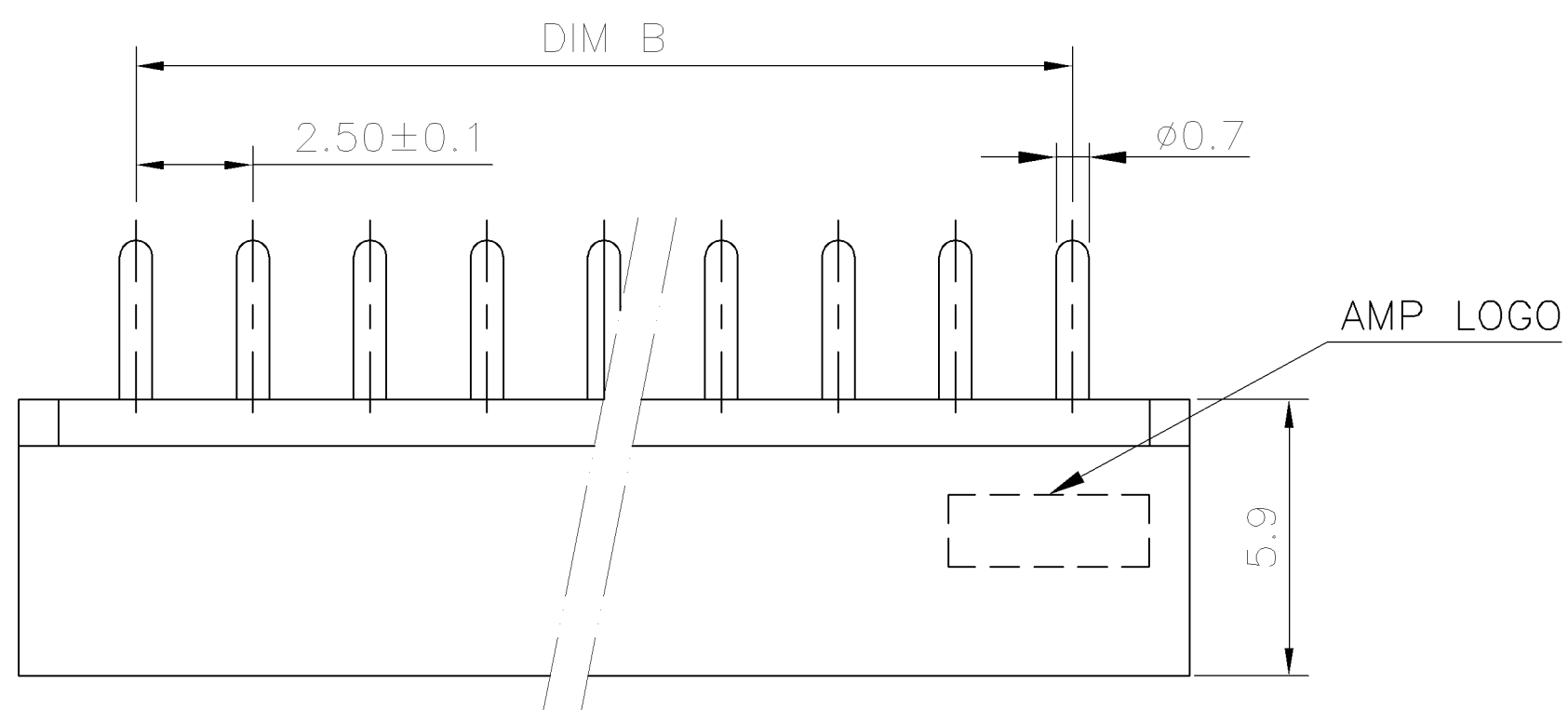


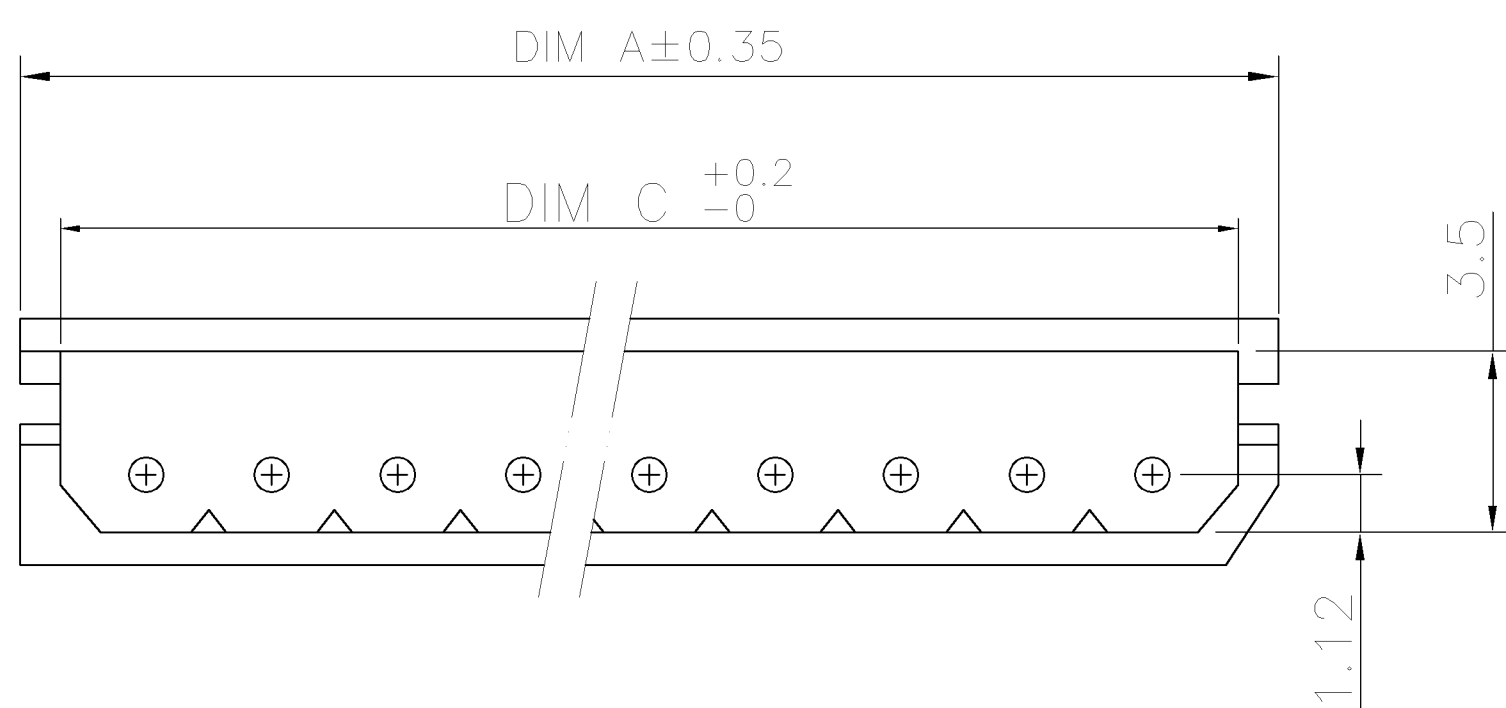
THIS DRAWING IS UNPUBLISHED. RELEASED FOR PUBLICATION
 © COPYRIGHT BY TYCO ELECTRONICS CORPORATION. ALL RIGHTS RESERVED.

LOC DW	DIST —	REVISIONS			
P	LTR	DESCRIPTION	DATE	DWN	APVD
	A	RELEASED	28SEP07	OH	WK

ECO-16-002887 REV A1



RECOMMENDED PCB LAYOUT (THICKNESS: 1.6MM)
 (TOP VIEW) (TOLERANCE: ±0.05)



NOTE:

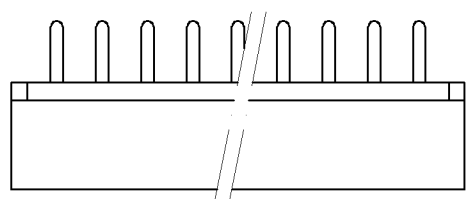
- MATERIAL :
 HOUSING : PA46, 30%GF, UL 94-V0, COLOR: SEE TABLE
 CONTACT : BRASS, THICKNESS=ø0.7mm.
- FINISH:
 CONTACT: 2µm [80µ"] MIN. BRIGHT-TIN ON SOLDER TAIL, WITH
 ENTIRE CONTACT UNDERPLATED 0.75µm [30µ"] MIN. NICKEL.
- WAVE SOLDER CAPABLE TO 265°C PER TE TEST SPEC.
 109-202, CONDITION B.

BLUE	10.9	7.50 ±0.10	12.5	4	2-1775284-4
	8.4	5.00 ±0.10	10.0	3	2-1775284-3
	5.9	2.50 ±0.10	7.5	2	2-1775284-2
IVORY	10.9	7.50 ±0.10	12.5	4	0-1775284-4
	8.4	5.00 ±0.10	10.0	3	0-1775284-3
	5.9	2.50 ±0.10	7.5	2	0-1775284-2
HSG. COLOR	DIM C	DIM B	DIM A	POS.	PART NUMBER

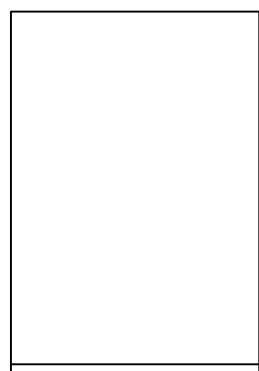
THIS DRAWING IS A CONTROLLED DOCUMENT.		DWN O. WU	26SEP2007	Tyco Electronics Corporation Taipei, Taiwan	
DIMENSIONS: MM		CHK S. HOU	26SEP2007		
TOLERANCES UNLESS OTHERWISE SPECIFIED:		APVD W.J. KE	26SEP2007	NAME	
0 PLC ± 0.50 1 PLC ± 0.20 2 PLC ± 0.10 3 PLC ± 0.05 4 PLC ± - ANGLES ± 3°		PRODUCT SPEC 108-57175		2.5mm PITCH EMIX POST, HEADER, VERTICAL TYPE	
MATERIAL SEE NOTE		QUALIFICATION TEST REPORT 501-57195		SIZE A3	CAGE CODE 00779
FINISH SEE NOTE		WEIGHT --		DRAWING NO C=1775284	RESTRICTED TO -
CUSTOMER DRAWING				SCALE -	SHEET 1 OF 2
				REV A1	

THIS DRAWING IS UNPUBLISHED. RELEASED FOR PUBLICATION
 © COPYRIGHT BY TYCO ELECTRONICS CORPORATION. ALL RIGHTS RESERVED.

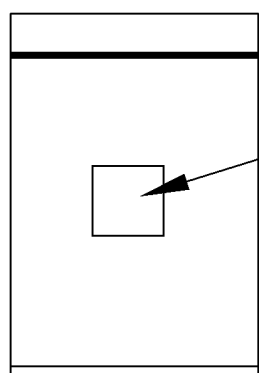
LOC DW	DIST —	REVISIONS			
P	LTR	DESCRIPTION	DATE	DWN	APVD
		SEE SHEET 1.			



CONNECTOR



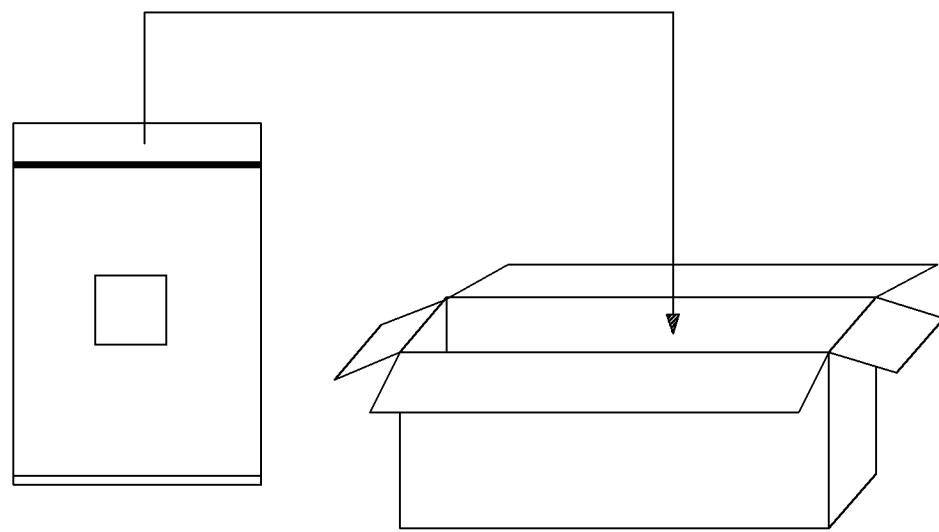
BAG



LABEL



LABEL



SHIPPING BOX

- 24,000	600	2-1775284-4	0-1775284-4
30,000	750	2-1775284-3	0-1775284-3
- 36,000	1000	2-1775284-2	0-1775284-2
APQ (PCS/BOX)	PPQ (PCS/BAG)	PART NUMBER	

THIS DRAWING IS A CONTROLLED DOCUMENT.		DWN O. WU	26SEP2007	Tyco Electronics Corporation Taipei, Taiwan	
DIMENSIONS: MM		CHK S. HOU	26SEP2007	NAME	
TOLERANCES UNLESS OTHERWISE SPECIFIED:		APVD W.J. KE	26SEP2007	2.5mm PITCH EMIX POST, HEADER, VERTICAL TYPE	
<ul style="list-style-type: none"> 0 PLC ± - 1 PLC ± - 2 PLC ± - 3 PLC ± - 4 PLC ± - ANGLES ± - FINISH 		PRODUCT SPEC	—	SIZE	CAGE CODE
MATERIAL		APPLICATION SPEC	—	DRAWING NO	RESTRICTED TO
—		WEIGHT	—	A3 00779	—
CUSTOMER DRAWING			SCALE	—	SHEET 2 OF 2
				REV	A1

