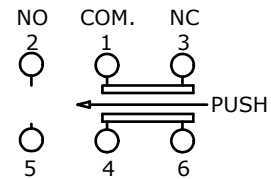
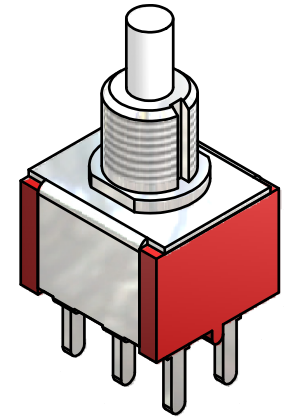
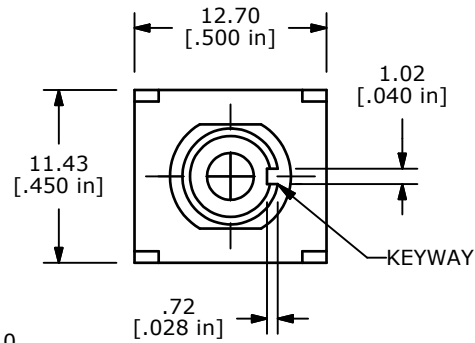
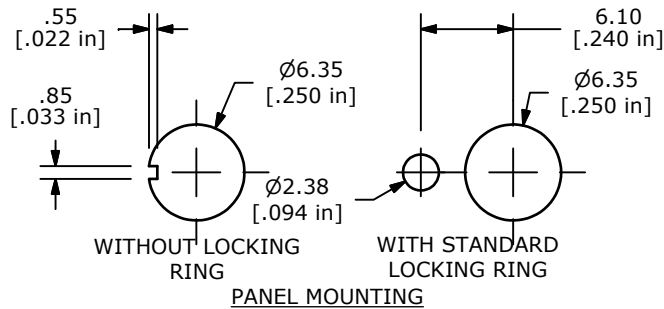


SWITCH FUNCTION	
POS. 1	POS. 2
ON	(ON)
1-3, 4-6	1-2, 4-5

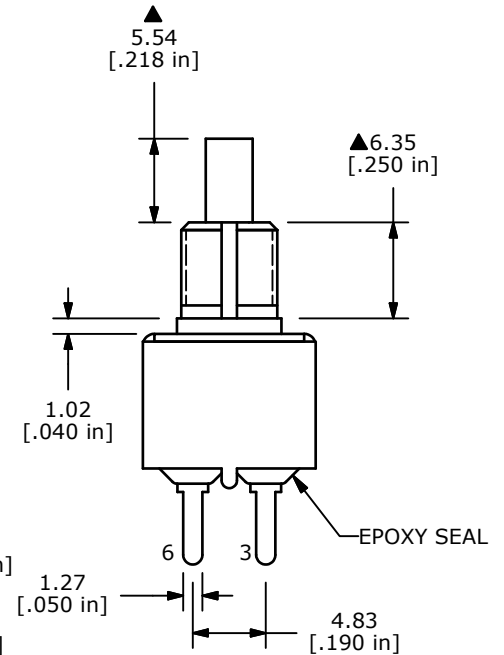
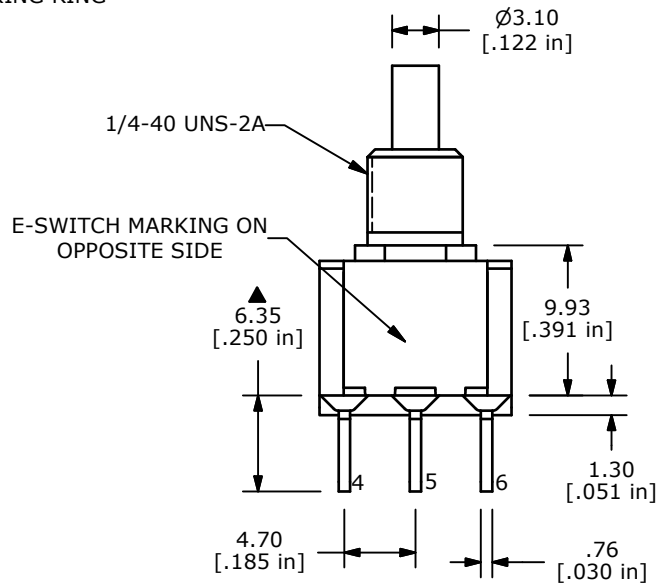
( ) = MOMENTARY



CIRCUIT DIAGRAM



- NOTES:
- ALL DIMENSIONS IN MM [INCH]
  - GENERAL TOLERANCE: X.X=±0.4  
X.XX=±0.25
  - TERMINAL NUMBERS FOR REFERENCE ONLY
  - ▲ CONTACT MATERIAL: GOLD
  - RATING: 0.4VA MAX. @ 20 VAC OR VDC MAX.
  - ELECTRIC LIFE: 50,000 MAKE-AND-BREAK CYCLES AT FULL LOAD
  - INSULATION RESISTANCE: 1,000 MEGA-OHM MIN.
  - ACTUATION FORCE: 300 ± 100gf
  - ▲ TRAVEL: 1.0 ± 0.2mm
  - CONTACT RESISTANCE: 20 mOHM MAX. TYPICAL @ 2-4 VDC
  - DIELECTRIC STRENGTH: 1,000 V RMS @ SEA LEVEL.
  - OPERATING TEMP.: -30°C to 85°C
  - ▲ DENOTES CRITICAL PARAMETER.
  - 2002/95/EC (ROHS) COMPLIANT.
  - HARDWARE TO BE SHIPPED BULK  
T100000 - HEXNUT - QTY 2  
T100011 - LOCKWASHER - QTY 1  
T100015 - LOCKRING - QTY 1



C	20036	DRAWING CLEAN-UP / UPDATE	6/28/11	BGL
B	18090	DIMENSION WAS 6.35	5/9/08	RC
A	16424	RELEASED FOR PRODUCTION	9/11/06	BO
REV	PCR NO	DESCRIPTION	DATE	BY

THE INFORMATION CONTAINED IN THIS DOCUMENT IS PROPRIETARY TO E-SWITCH AND IS NOT TO BE COPIED OR TRANSFERRED



TITLE 700DP7B10M2REH				
SCALE 2:1	DATE 9/11/2006	DR BO	DWG ST721000	REV C