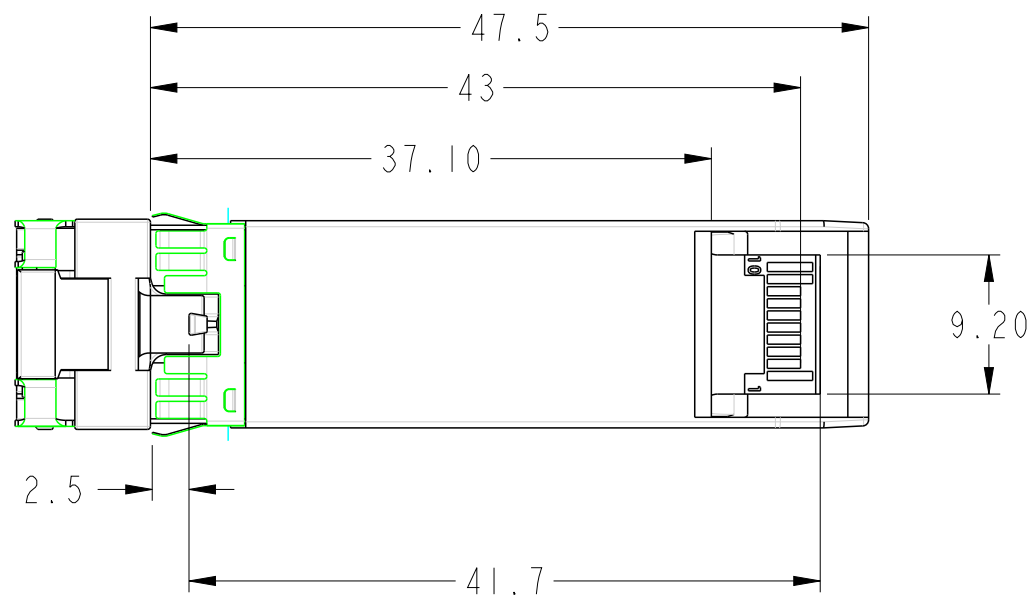
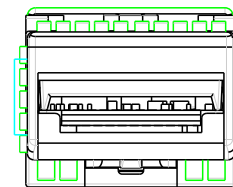
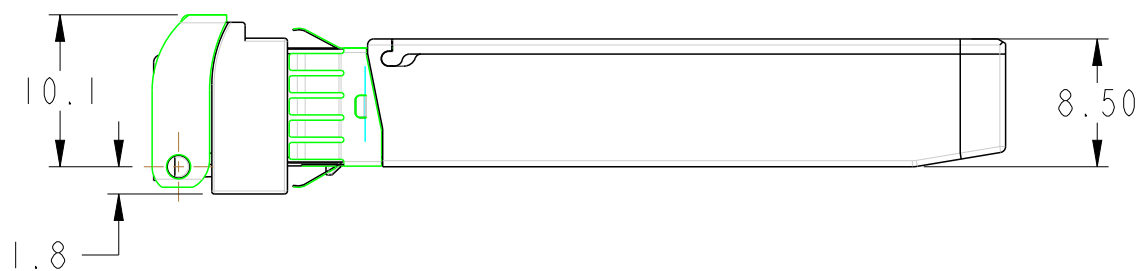
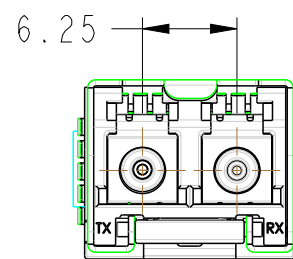
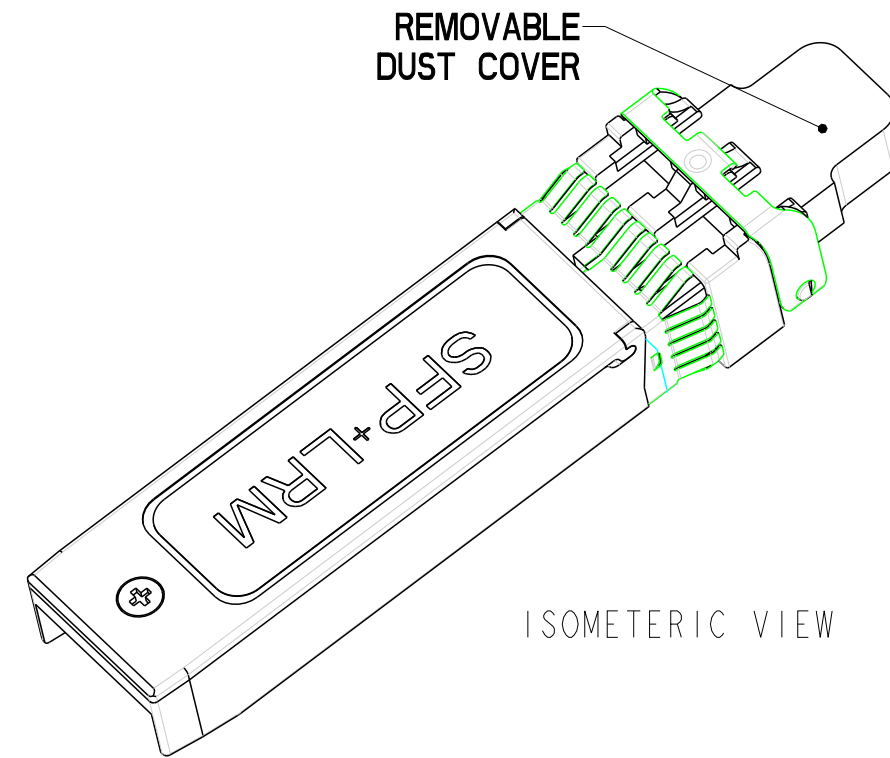
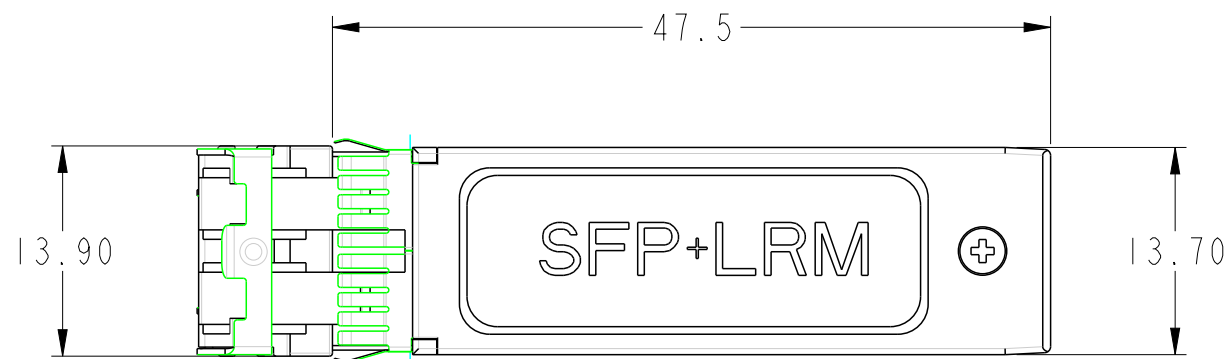


PRODUCT NUMBER

TRX10GDL0610



NOTES:

1. REFERENCE DATA SHEET TRX10GDL0610 FOR DETAILED TRANSCEIVER SPECIFICATIONS.
2. TRANSCEIVER ASSEMBLY IS RoHS 6/6 COMPLIANT.
3. TRANSCEIVER ASSEMBLY IS PACKAGED IN BLISTER PACKAGING.
4. DIMENSIONS ARE FOR REFERENCE ONLY.
5. REVISION A IS EQUIVALENT TO MERGE OPTICS REVISION B01.

spec ref	-	dr	Deborah Ingram	2011/01/14	projection	MM	size	A3	scale	2:1	
tolerance std	ASME Y14.5	eng	Deborah Ingram	2011/01/19			ecn no		-		
TOLERANCES UNLESS OTHERWISE SPECIFIED		chr	-	-			rel level		Released		
surface	 linear 0.X ±- 0.XX ±- 0.XXX ±- ASME Y14.5 angular A ±°	appr	Brad Brubaker	2011/01/20	product family	-	dwg no		10116249	rev	A
www.fci.com		cat. no.		-	Product - Customer Drw		sheet 1 of 1				



Copyright FCI.