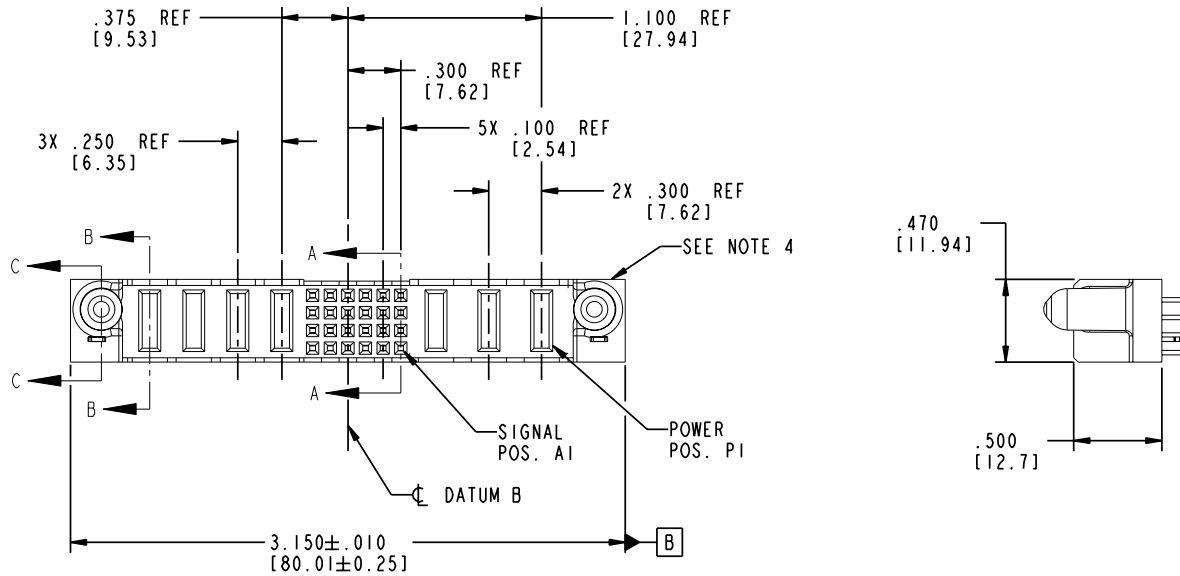


Tous droits strictement réservés. Reproduction ou communication à des tiers interdite sous quelque forme que ce soit sans autorisation écrite du propriétaire. Propriété de c FCI. Droits de reproduction FCI.

All rights strictly reserved. Reproduction or issue to third parties in any form whatever is not permitted without written authority from the proprietor. Property of FCI. Copyright FCI.

PRODUCT NO.	ROWS	POWER				SIGNAL					POWER			E1		
		E2	P7	P6	P5	P4	6	5	4	3	2	1	P3		P2	P1
51940-043 Note: ③	D C B A															



CODE	DIM "M" MATING LENGTH	CONTACT TYPE
E	N/A [N/A]	SIGNAL
PD	.092 [2.34]	POWER
HA	N/A [N/A]	HOLD-DOWN
PA	.042 [1.07]	POWER

mat'l code				SEE NOTE 2		tolerances unless otherwise specified		CUSTOMER		 www.fciconnect.com	
ltr	ecn no.	dr	date	linear	.XX±.01/0.X±0.3	COPY		projection		title	
A	V03-0509	MEM	5/6/03	linear	.XXX±.005/0.XX±0.13	INCH/MM				3ACP + 24S + 4P VERTICAL SOLDER RECEPT.	
B	DG05-0116	SJ	05/21/05	angles	.XXX±.0020/0.XX±0.051	scale		product family		code	
				dr	M. MOSTOLLER 5/6/03	1:1		PwrBlade		213	
				enrg	M. MOSTOLLER 5/6/03			size		dwg no	
				chr	H. BREWBAKER 5/6/03			A		51940-043	
				appd	M. MOSTOLLER 5/6/03					sheet	
sheet index	revision	B	B	B	B					1 of 4	
	sheet	1	2	3	4						

Pro/E

cage code 22526

PDM: Rev:B

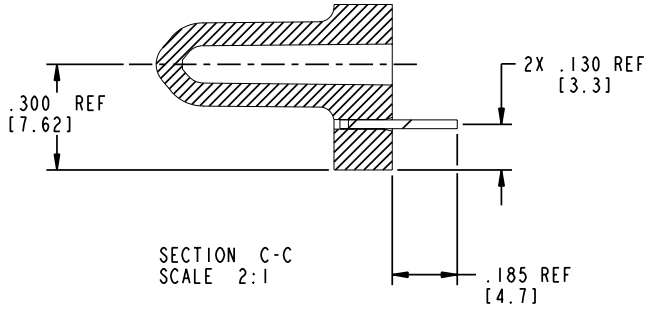
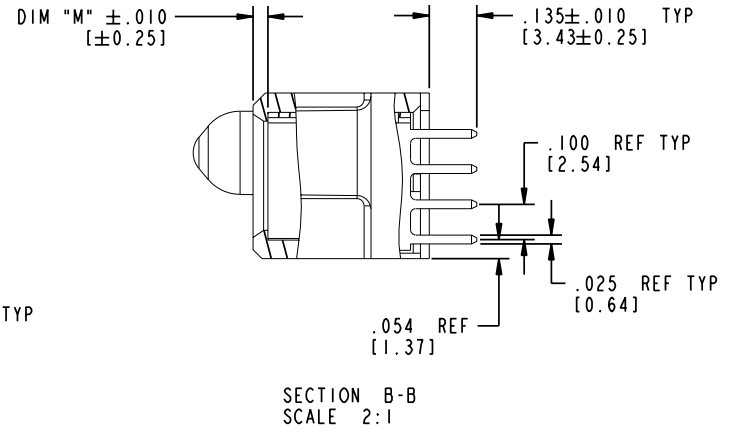
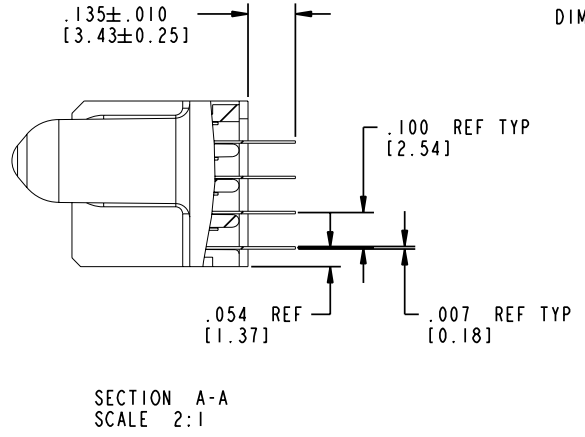
STATUS: Released

Printed: Dec 20, 2010

Tous droits strictement réservés. Reproduction ou communication a des tiers interdite sous quelque forme que ce soit sans autorisation écrite du propriétaire. Propriété de c FCI. Droits de reproduction FCI.

All rights strictly reserved. Reproduction or issue to third parties in any form whatever is not permitted without written authority from the proprietor. Property of FCI. Copyright FCI.

PRODUCT NUMBER
51940-043..
 Note: ③



mat'l code		SEE NOTE 2		tolerances unless otherwise specified		CUSTOMER		 www.fciconnect.com	
ltr	ecn no.	dr	date	linear	.XX±.01/0.X±0.3	COPY		projection	title
B				angles	.XXX±.005/0.XX±0.13	INCH/MM			3ACP + 24S + 4P VERTICAL SOLDER RECEPT.
				dr	.XXX±.0020/0.XX±0.051	scale		product family	code
				enrg	0°±2°	1:1		PwrBlade	213
				chr				size	sheet
				appd				A	2 of 4
sheet index	revision sheet							51940-043	

Pro/E

cage code **22526**

PDM: Rev:B

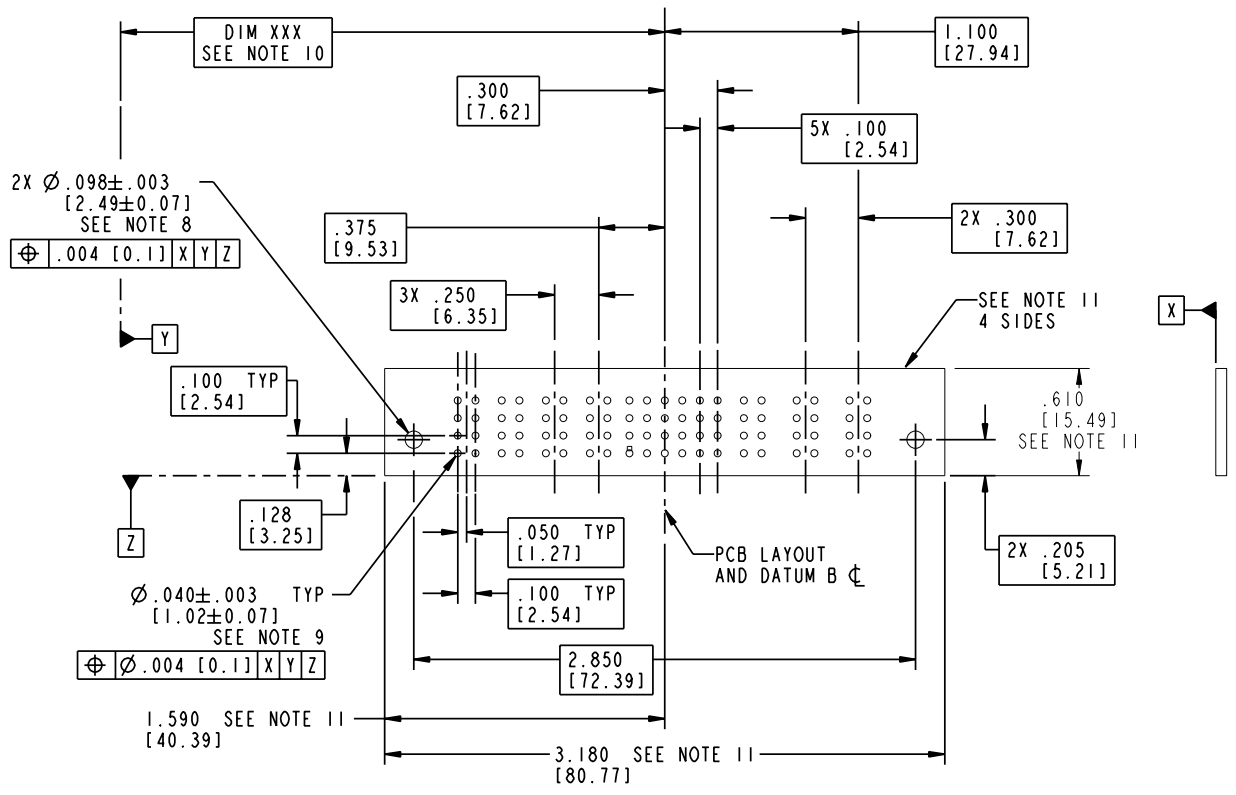
STATUS:Released

Printed: Dec 20, 2010

Tous droits strictement réservés. Reproduction ou communication a des tiers interdite sous quelque forme que ce soit sans autorisation écrite du propriétaire. Propriété de c FCI. Droits de reproduction FCI.

All rights strictly reserved. Reproduction or issue to third parties in any form whatever is not permitted without written authority from the proprietor. Property of FCI. Copyright FCI.

PRODUCT NUMBER
51940-043..
 Note: ③



mat'l code		SEE NOTE 2		tolerances unless otherwise specified		CUSTOMER		 www.fciconnect.com	
ltr	ecn no.	dr	date	linear	.XX±.01/0.X±0.3	COPY		title	
B				projection	.XXX±.005/0.XX±0.13			3ACP + 24S + 4P VERTICAL SOLDER RECEPT.	
				angles	.XXX±.0020/0.XXX±0.051			product family	
				dr	0°±2°	INCH/MM		PwrBlade	
				enrg	M. MOSTOLLER 5/6/03	scale		code	
				chr	M. MOSTOLLER 5/6/03	1:1		213	
				appd	H. BREWBAKER 5/6/03			sheet	
					M. MOSTOLLER 5/6/03			3 of 4	
sheet index	revision sheet								

cage code **22526**

Pro/E

PDM: Rev:B

STATUS: Released

Printed: Dec 20, 2010

Tous droits strictement réservés. Reproduction ou communication à des tiers interdite sous quelque forme que ce soit sans autorisation écrite du propriétaire. Propriété de c FCI. Droits de reproduction FCI.

A
FCI

All rights strictly reserved. Reproduction or issue to third parties in any form whatever is not permitted without written authority from the proprietor. Property of FCI. Copyright FCI.

PRODUCT NUMBER
51940-043_
Note: ③

NOTES:

1. DIMENSIONS AND TOLERANCES ARE IN ACCORDANCE WITH ASME Y14.5M, 1994 UNLESS OTHERWISE SPECIFIED.

CONNECTOR NOTES:

② HOUSING MATERIAL: UL 94 V-0 GLASS FILLED

HIGH-TEMP THERMOPLASTIC
POWER CONTACT MATERIAL: COPPER ALLOY
SIGNAL PIN MATERIAL: COPPER ALLOY

3. PLATING:

51940-043 Singal Pin:30u"/0.76um Au OVER 50u"/1.27um Ni ON THE CONTACT AREA,
AND 100u"/2.54um SnPb PLATING OVER 50u"/1.27um Ni ON THE TERMINATION SECTION.
Power Pin:30u"/0.76um Au OVER 50u"/1.27um Ni ON THE CONTACT AREA,
AND 100u"/2.54um SnPb PLATING OVER 50u"/1.27um Ni ON THE TERMINATION SECTION.

51940-043LF Singal Pin:30u"/0.76um Au OVER 50u"/1.27um Ni ON THE CONTACT AREA,
AND 78u"/2.00um Sn PLATING OVER 50u"/1.27um Ni ON THE TERMINATION SECTION.
Power Pin:30u"/0.76um Au OVER 50u"/1.27um Ni ON THE CONTACT AREA,
AND 78u"/2.00um Sn PLATING OVER 50u"/1.27um Ni ON THE TERMINATION SECTION.

PART NUMBER 51940-043LF MEETS EUROPEAN UNION DIRECTIVE AND OTHER COUNTRY REGULATIONS AS DESCRIBED IN GS-22-008.

THE HOUSING WILL WITHSTAND EXPOSURE TO 260° PEAK TEMPERATURE FOR 10 SECONDS IN A WAVE SOLDER APPLICATION WITH A CIRCUIT BOARD.

④ MANUFACTURER'S NAME, P/N, AND DATE CODE TO APPEAR ON THIS SURFACE.

5. PRODUCT SPECIFICATION GS-12-149.
APPLICATION SPECIFICATION BUS-20-067.

6. PACKAGED IN TRAYS.

PCB NOTES:

7. ALL HOLE DIAMETERS ARE FINISHED HOLE SIZE.

⑧ MOUNTING HOLES, WHERE APPLICABLE, ARE UNPLATED.

⑨ $\varnothing .0453 \pm .0010$ [1.151 ± 0.025] DRILLED HOLES PLATED WITH
.0003 [0.008] MIN SnPb OVER .001 [0.03]
TO .003 [0.08] Cu PLATING TO ACHIEVE
 $\varnothing .040 \pm .003$ [$1.02 \pm .07$] HOLE.

⑩ "DIM XXX" TO BE DETERMINED BY THE CUSTOMER.

⑪ CONNECTOR KEEP-OUT ZONE.

mat'l code				SEE NOTE 2				tolerances unless otherwise specified				CUSTOMER				A FCI www.fciconnect.com			
ltr	ecn no.	dr	date	linear	.XX±.01/0.X±0.3			COPY				projection				title			
B					.XXX±.005/0.XX±0.13							3ACP + 24S + 4P							
				angles	.XXX±.002/0.XX±0.051							VERTICAL SOLDER RECEPT.							
				dr	0±?							product family							
				enrg	M. MOSTOLLER 5/6/03			INCH/MM				PwrBlade							
				chr	M. MOSTOLLER 5/6/03			scale				size							
				appd	M. MOSTOLLER 5/6/03			1:1				dwg no							
sheet index				revision sheet								51940-043				code			
												213				sheet			
												4 of 4							

cage code **22526** 4

Pro/E

PDM: Rev:B

STATUS:Released

Printed: Dec 20, 2010