

### BOARD DESCRIPTION

The AD8225 evaluation board has been carefully laid out and tested to demonstrate the performance of the device. Figure 1 is a schematic of an evaluation board available for the AD8225. The board is shipped with an AD8225 already installed. The user need only connect power and an input to conduct

measurements. The supply can be configured for dual or single supplies, and the input can be dc- or ac-coupled. A circuit is provided on the board so the user can zero the output offset. If desired, a reference can be applied from an external voltage source.

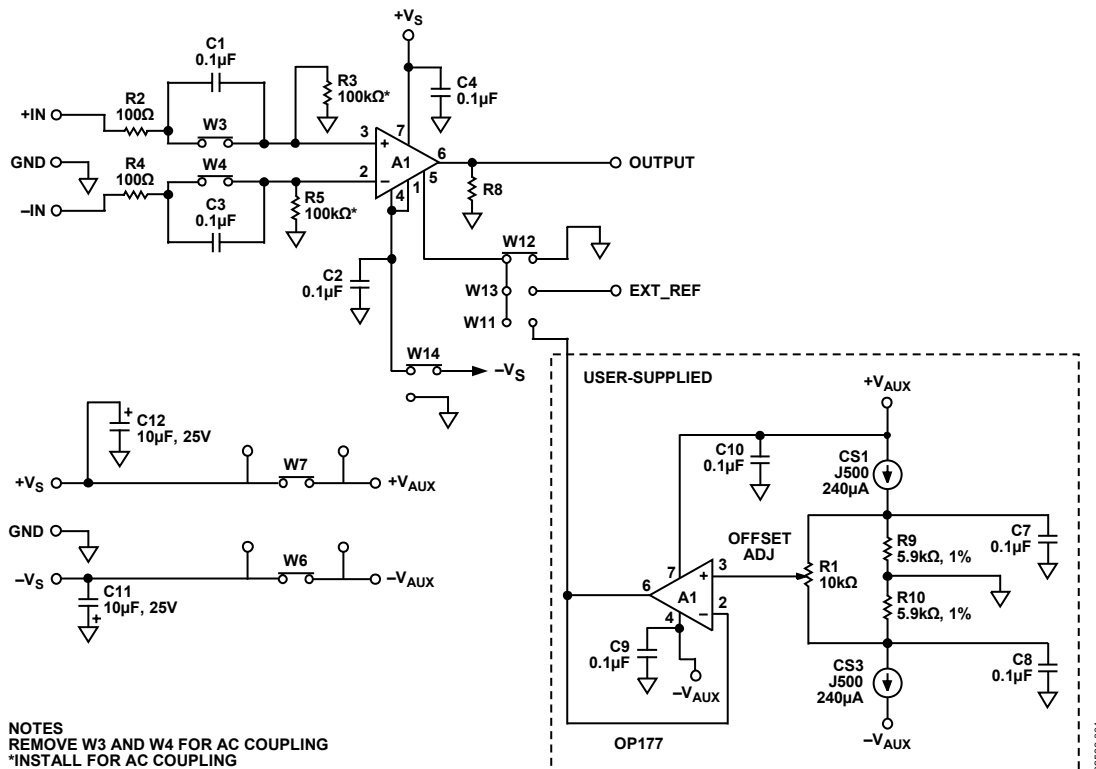


Figure 1. Evaluation Board Schematic

### Rev. A

Evaluation boards are only intended for device evaluation and not for production purposes. Evaluation boards are supplied "as is" and without warranties of any kind, express, implied, or statutory including, but not limited to, any implied warranty of merchantability or fitness for a particular purpose. No license is granted by implication or otherwise under any patents or other intellectual property by application or use of evaluation boards. Information furnished by Analog Devices is believed to be accurate and reliable. However, no responsibility is assumed by Analog Devices for its use, nor for any infringements of patents or other rights of third parties that may result from its use. Analog Devices reserves the right to change devices or specifications at any time without notice. Trademarks and registered trademarks are the property of their respective owners. Evaluation boards are not authorized to be used in life support devices or systems.

# AD8225-EVALZ

## ORDERING INFORMATION

### ORDERING GUIDE

Model	Package Description
AD8225-EVALZ <sup>1</sup>	Evaluation Board

<sup>1</sup> Z = RoHS Compliant Part.

### ESD CAUTION



**ESD (electrostatic discharge) sensitive device.** Charged devices and circuit boards can discharge without detection. Although this product features patented or proprietary protection circuitry, damage may occur on devices subjected to high energy ESD. Therefore, proper ESD precautions should be taken to avoid performance degradation or loss of functionality.