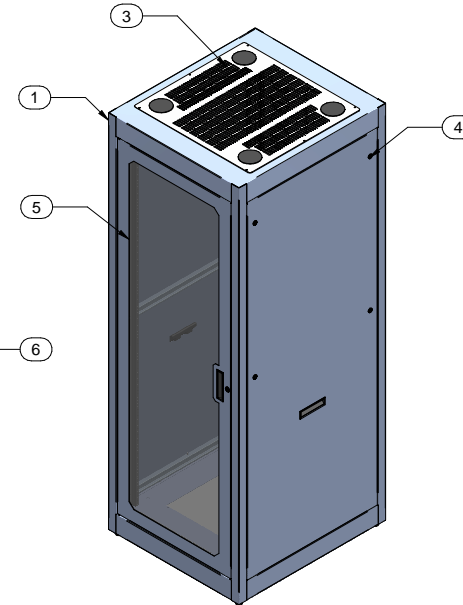
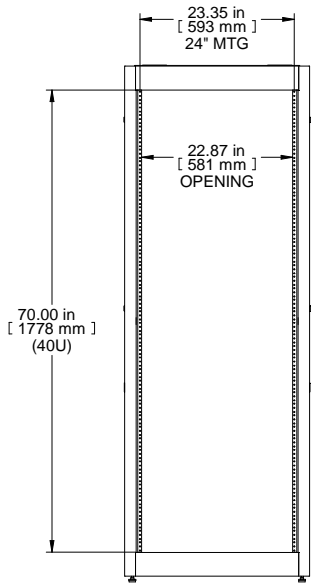


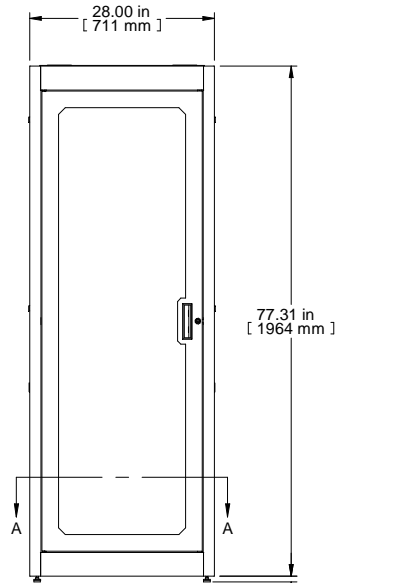
TOP VIEW



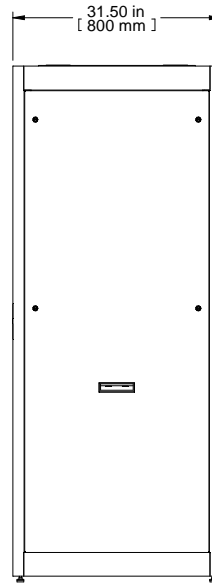
ISOMETRIC



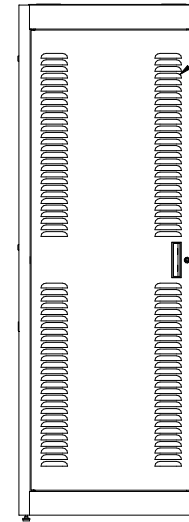
FRONT VIEW
DOORS REMOVED



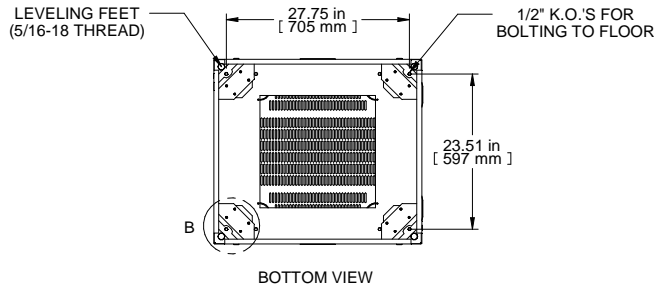
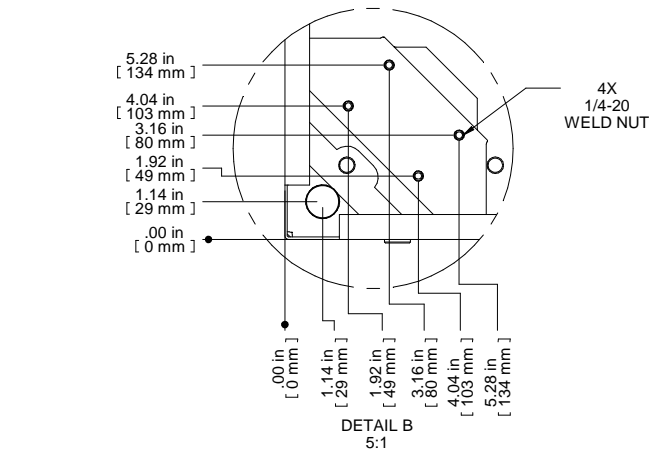
FRONT VIEW



R.S. VIEW



REAR VIEW



BOTTOM VIEW

Item Number	Title	Quantity
1	C2 - CABINET FRAME	1
2	COMBINATION RAILS TAPPED (PAIR)	2
3	C2 - VENTED CABLE ENTRY TOP	1
4	C2 - SIDE PANELS (PAIR)	1
5	C2 - FLUSH PLEXI DOOR	1
6	C2 - FLUSH LOUVERED DOOR	1
7	PLUG - 3.50\"/>	

PART NUMBERS	
C2RR247031DBK1	PAINTED BLACK TEXTURED

NOTES

Welded frame
See Hammond Website for Additional Accessories

Français
Pour tous les détails sur nos produits, svp veuillez consulter notre site www.hammondmg.com.
Data subject to change without notice. Isometric drawing not to scale.
Les données sont sujettes à changement sans préavis.



www.hammondmg.com

PART NO. **C2RR247031D**