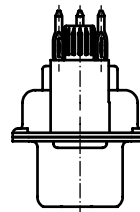
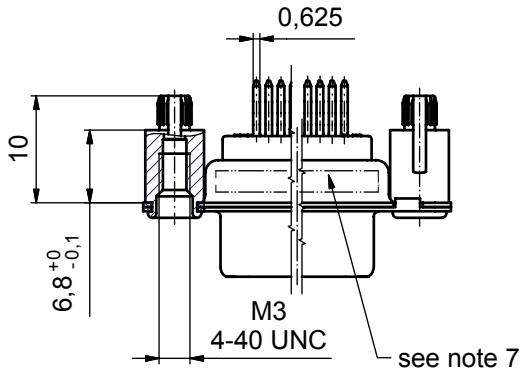
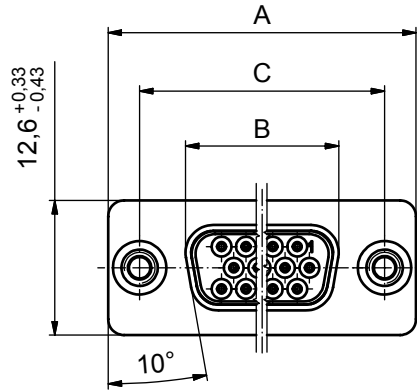
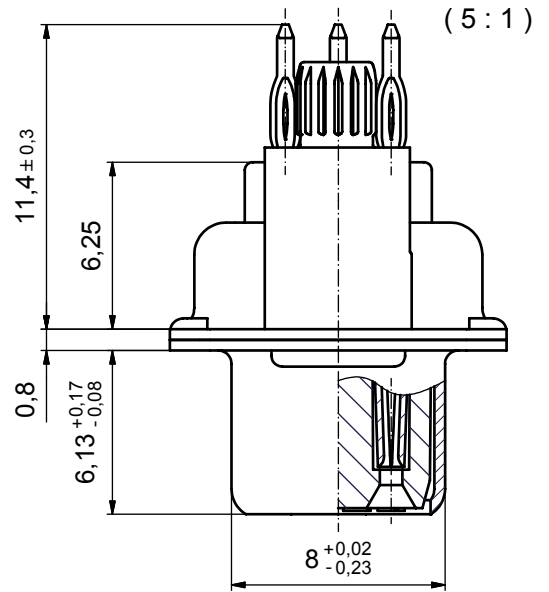


NOTES:

1. METALSHELLS: STEEL; min. 315µin TIN over 40-80µin NICKEL
2. INSULATORS: PBT GF UL 94 V-0, BLACK
3. PRESS-FIT CONTACTS: COPPER ALLOY
 PLATING MATING AREA: FLASH GOLD over NICKEL
 PLATING TERMINATION AREA: 20-40µin TIN (SN 100)
 P.C.B. THICKNESS: min. 1,6mm
4. PUSH IN PIN: COPPER ALLOY
5. P.C.B. HOLE DRILLINGS SEE SHEET 2
6. MAXIMUM TORQUE VALUE FOR THREAD: 6 in.LB
7. CONNECTOR IS PART MARKED: PART-NO. CONEC ABC



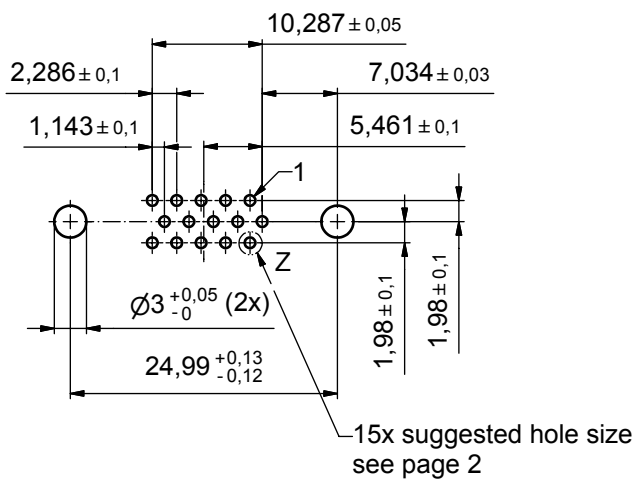
Polzahl No. of pos.	A	B	C	Art.-Nr. Part-No.	
				M3	4-40 UNC
15	30,88 ^{+0,31} _{-0,45}	16,41 ^{+0,05} _{-0,2}	24,99 ^{+0,13} _{-0,12}	DSH1XSGAA57X	DSH1XSGAA58X
26	39,22 ^{+0,3} _{-0,46}	24,74 ^{+0,05} _{-0,2}	33,32 ^{+0,13} _{-0,12}	DSH2XSGAA57X	DSH2XSGAA58X
44	53,09 ^{+0,33} _{-0,43}	38,51 ⁺⁰ _{-0,26}	47,04 ± 0,13	DSH3XSGAA57X	DSH3XSGAA58X
62	69,50 ^{+0,2} _{-0,56}	54,94 ^{+0,02} _{-0,23}	63,50 ± 0,13	DSH4XSGAA57X	DSH4XSGAA58X

Directive 2002/95/EC
 „RoHS“
 Compliant

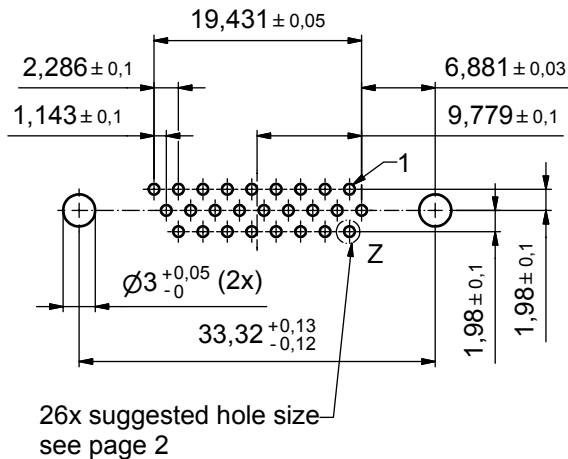
APPROVAL # FREIGABE # DEBLOCAGE # AUTORIZACION # APPROVAL	
CUSTOMER APPROVAL DATE:	
NAME:	TITLE:
COMPANY NAME:	
APPROVAL # FREIGABE # DEBLOCAGE # AUTORIZACION # APPROVAL	

THIS DRAWING MAY NOT BE COPIED OR REPRODUCED IN ANY WAY, AND MAY NOT BE PASSED ON TO A THIRD PARTY WITHOUT WRITTEN PERMISSION. OWNERSHIP AND COPYRIGHT OF CONEC GmbH				DO NOT ALTER CAD DRAWING BY HAND	
		tolerance		dim. in mm	
		date		name	
		drawn		19.04.07 Lehmenkühler	
		appd.		19.04.07 Koch	
		norm			
		d-old			
a		Origin		CONEC®	
rev.		description			
date		name			

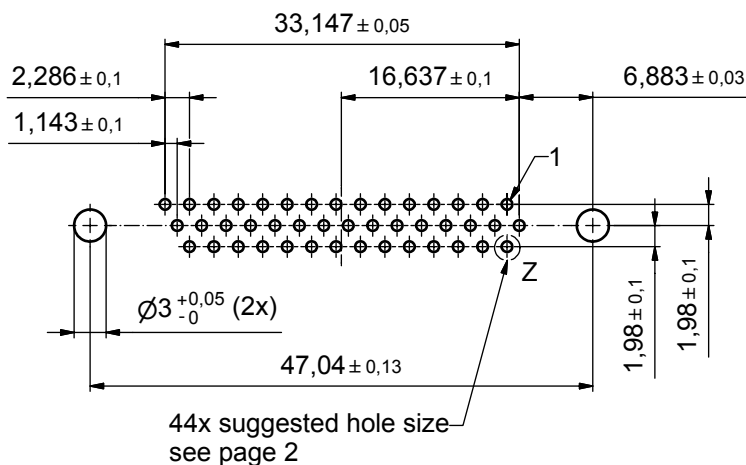
scale:		2:1 (5:1)	
material:		see notes	
title:			
D-SUB HD FEMALE 15-62pos. PRESS-FIT STRAIGHT with push in pin			
dwg no:		Inventor	
part no:		16K1A2052	
		see table	
		DIN-A3	
		sh: 1	



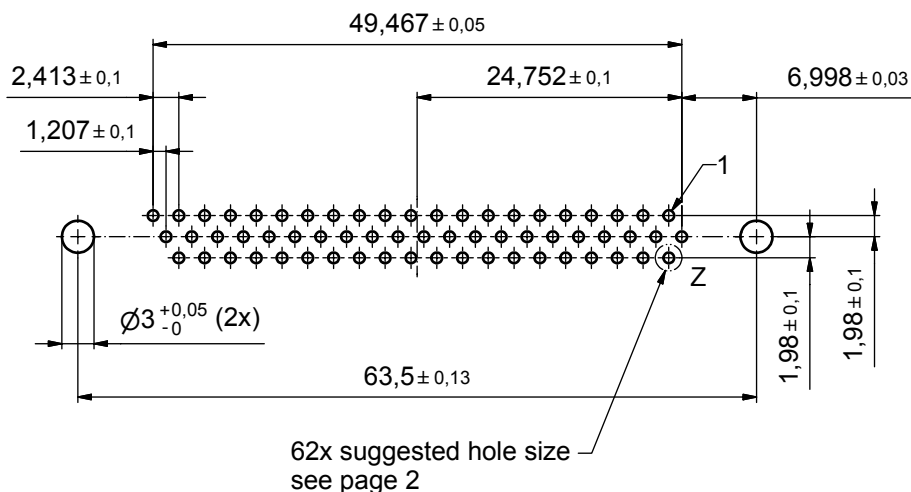
15 pos.



26 pos.



44 pos.



62 pos.

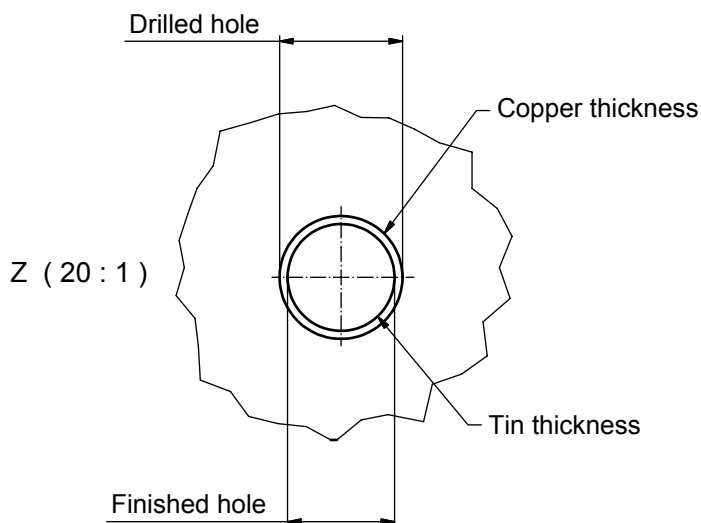
APPROVAL # FREIGABE # DEBLOCAGE # AUTORIZACION # APPROVAL	
CUSTOMER APPROVAL DATE:	
NAME:	TITLE:
COMPANY NAME:	
APPROVAL # FREIGABE # DEBLOCAGE # AUTORIZACION # APPROVAL	

THIS DRAWING MAY NOT BE COPIED OR REPRODUCED IN ANY WAY, AND MAY NOT BE PASSED ON TO A THIRD PARTY WITHOUT WRITTEN PERMISSION. OWNERSHIP AND COPYRIGHT OF CONEC GmbH DO NOT ALTER CAD DRAWING BY HAND				tolerance		dim. in mm	scale: 2:1		
				date			material:		
				drawn	29.06.07	Sonnenberg	P.C.B. HOLE DRILLINGS D-SUB HD 15-62pos. PRESS-FIT STRAIGHT with push in pin		
				appd.	29.06.07	Koch			
				norm					
				d-old					
a	Origin						dwg no:	Inventor	DIN-A3
rev.	description	date	name					16K1A2052	sh: 2
							part no:	SEE SHEET 1	

**SUGGESTED PCB HOLE SIZE DIMENSIONS FOR
D-SUB HD CONNECTORS
WITH PRESS FIT TERMINATIONS**

ACCORDING IEC 60352-5

THROUGH HOLE PLATING	Signal Contact	
	NOMINAL DIAMETER	
TIN-LEAD	DRILLED HOLE	1,15 ±0,025 mm
	COPPER	min. 25µm
	TIN-LEAD	min. 15µm
	FINISHED HOLE	1,0 +0,09 -0,06mm
Galv./HAL TIN	DRILLED HOLE	1,15 ±0,025 mm
	COPPER	min. 25µm
	TIN	5-15µm
	FINISHED HOLE	1,0 +0,09 -0,06mm
CHEM. TIN	DRILLED HOLE	1,15 ±0,025 mm
	COPPER	min. 25µm
	CHEM. TIN	max. 1,5µm
	FINISHED HOLE	1,0 +0,09 -0,06mm



APPROVAL # FREIGABE # DEBLOCAGE # AUTORIZACION # APPROVAL	
CUSTOMER APPROVAL DATE:	
NAME:	TITLE:
COMPANY NAME:	
APPROVAL # FREIGABE # DEBLOCAGE # AUTORIZACION # APPROVAL	

THIS DRAWING MAY NOT BE COPIED OR REPRODUCED IN ANY WAY, AND MAY NOT BE PASSED ON TO A THIRD PARTY WITHOUT WRITTEN PERMISSION. OWNERSHIP AND COPYRIGHT OF CONEC GmbH				tolerance		dim. in mm	scale: 20:1	
				DO NOT ALTER CAD DRAWING BY HAND			material:	
rev.	description	date	name	drawn	date	name	D-SUB HD FEMALE 15-62pos. PRESS-FIT STRAIGHT with push in pin	
a	Origin			appd.	29.06.07	Koch		
				norm				
				d-old				
						dwg no: 16K1A2052		DIN-A3
						part no: SEE SHEET 1		sh: 3

scale: 20:1	
material:	
title: D-SUB HD FEMALE 15-62pos. PRESS-FIT STRAIGHT with push in pin	
dwg no: 16K1A2052	Inventor
part no: SEE SHEET 1	