

# AVX Wire-to-Wire Connectors



Version 16.10

**AVX**  
A KYOCERA GROUP COMPANY

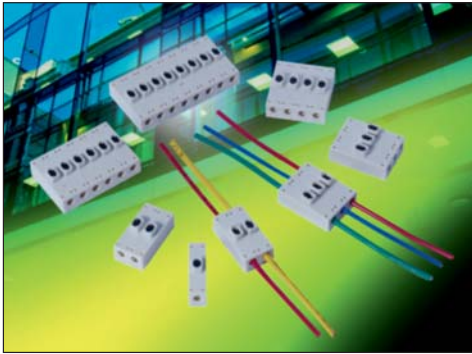
# Table of Contents

<b>THRU-WIRE CONNECTORS 18-26 AWG</b>	
<b>00-9286</b> .....	<b>2-8</b>
1 Position .....	3
2 Position .....	4
3 Position .....	5
4 Position .....	6
6 Position .....	7
8 Position .....	8
<b>REDUCED THRU-WIRE CONNECTOR 18-26 AWG</b>	
<b>9686-200</b> .....	<b>9-16</b>
1 Position .....	10
2 Position .....	11
3 Position .....	12
4 Position .....	13
5 Position .....	14
6 Position .....	15
Wire Trim .....	16
<b>JUNCTION BOX CONNECTORS 18-26 AWG</b>	
<b>00-9286</b> .....	<b>17-20</b>
4 Position .....	18
6 Position .....	19
8 Position .....	20
<b>REDUCED JUNCTION BOX CONNECTORS 18-26 AWG</b>	
<b>9686-250</b> .....	<b>21-25</b>
4 Position .....	22
6 Position .....	23
8 Position .....	24
Wire Trim .....	25
<b>WIRE INSERTION/REMOVAL PROCESS</b> .....	<b>26</b>
<b>ADHESIVE MOUNTING TAPE</b> .....	<b>27</b>

NOTICE: Specifications are subject to change without notice. Contact your nearest AVX Sales Office for the latest specifications. All statements, information and data given herein are believed to be accurate and reliable, but are presented without guarantee, warranty, or responsibility of any kind, expressed or implied. Statements or suggestions concerning possible use of our products are made without representation or warranty that any such use is free of patent infringement and are not recommendations to infringe any patent. The user should not assume that all safety measures are indicated or that other measures may not be required. Specifications are typical and may not apply to all applications.

# Poke-Home – Thru-Wire: WTW

00-9286



Wire-to-Wire connectors have been used in the industrial market for years with traditional 2-Piece (plug and socket) connector systems which require crimp and poke wire terminations to connect electrical or electronic components. In the general wiring market (2-3 wires) there are a number of connector styles available, however, they are limited in sizes, expanded wire gauges and the ability to reuse them when repair or replacement is needed. Based on the existing success of “Poke-Home” wire-to-board connectors, AVX has developed a new family of wire-to-wire connectors to meet the cost, flexibility and ease-of-use targets in industrial wiring applications.

The 9286 series of Thru-Wire connectors provides a high spring force Beryllium Copper contact system that uses simple push button activation to insert and remove individual stripped wires in the connection process. There is a forward and aft shrouded (to prevent accidental activation) push button for each wire connection that can be operated individually or simultaneously with a simple plastic tool or ball point pen tip. Up to eight wires can be electrically connected in a single connector body which will support any combination of wire gauges from 18AWG up to 26 AWG. Wires can be removed or replaced up to 5 times so there is no need to replace the connector in a new installation.

## APPLICATIONS

- Industrial/Machine Control; motors, solenoids, PLC’s, pumps, valves, sensors, fans...
- Commercial/Building; fixtures, fire, security, surveillance, blinds, sensors, controls...
- Commercial/Industrial LED; retail, office, manufacturing, signage, displays...
- Application notes; refer to 201-01-135

## FEATURES AND BENEFITS

- High spring force top contact provides a lance type retention to capture and retain the wire
- Shrouded dual push button activation for easy wire insertion/removal
- Accepts 18-26AWG Solid and Stranded wires; any combination
- Expanded size offering to maximize application potential; 1, 2, 3, 4, 6 & 8 positions
- Optional mounting tape to secure in panel mounting applications
- Molded in position numbers and schematic for easy identification

## ELECTRICAL

- Current Rating: 8 Amps / Contact
- Voltage Rating: 300 VAC

## ENVIRONMENTAL

- Operating Temperature: -40°C to +125°C

## MECHANICAL

- Insulator Material: Glass-Filled Nylon 46; UL94V0
- Contact Material: Beryllium Copper / Phosphor Bronze
- Plating: Tin over Nickel
- Replacibility: 5 Cycles

## HOW TO ORDER

<b>00</b>	<b>9286</b>	<b>00X</b>
Prefix	Series	Number of Ways
<b>Code</b>	<b>No of Ways</b>	<b>Details</b>
001	1	Page 3
002	2	Page 4
003	3	Page 5
004	4	Page 6
006	6	Page 7
008	8	Page 8

<b>021</b>			
Wire Size			
<b>Code</b>	<b>Wire Gauge</b>	<b>Max Conductor</b>	<b>Max Insulation</b>
021	18 to 26 AWG	1.05mm Diameter	2.10mm Diameter

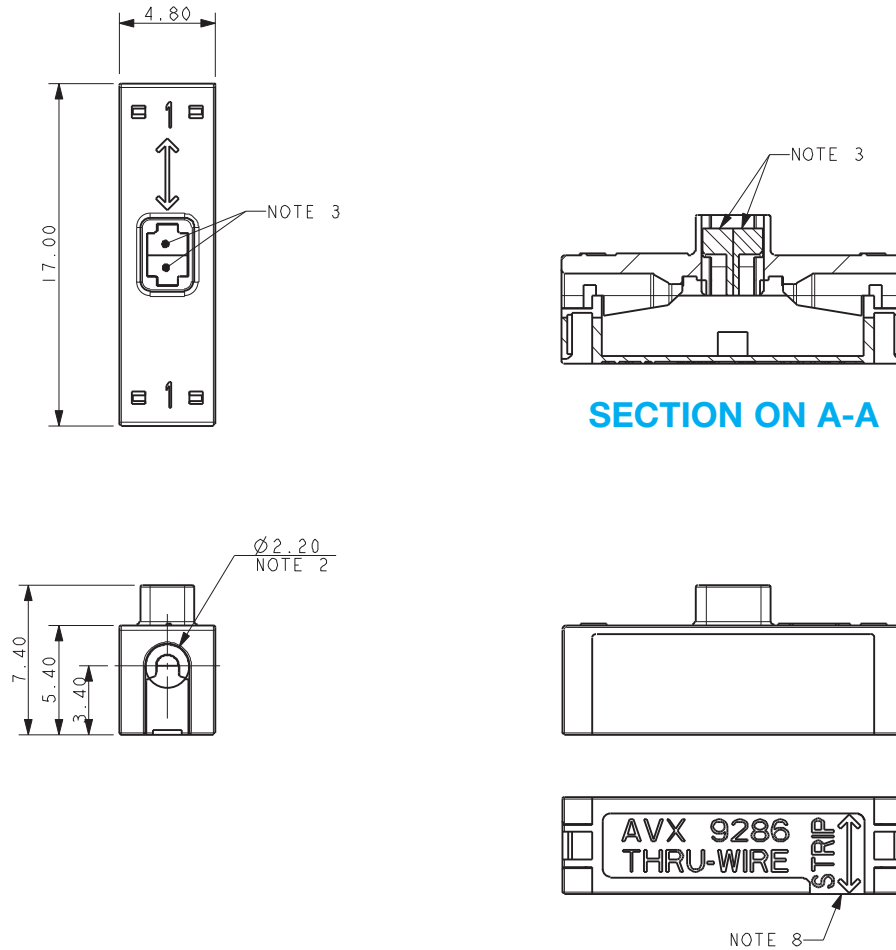
**9**  
Color Options  
9 = UL White

**06**  
Plating Option  
06 = Pure Tin all over



Certification: UL File #E90723

### 18-26 AWG 1 WAY POKE-HOME – THRU WIRE



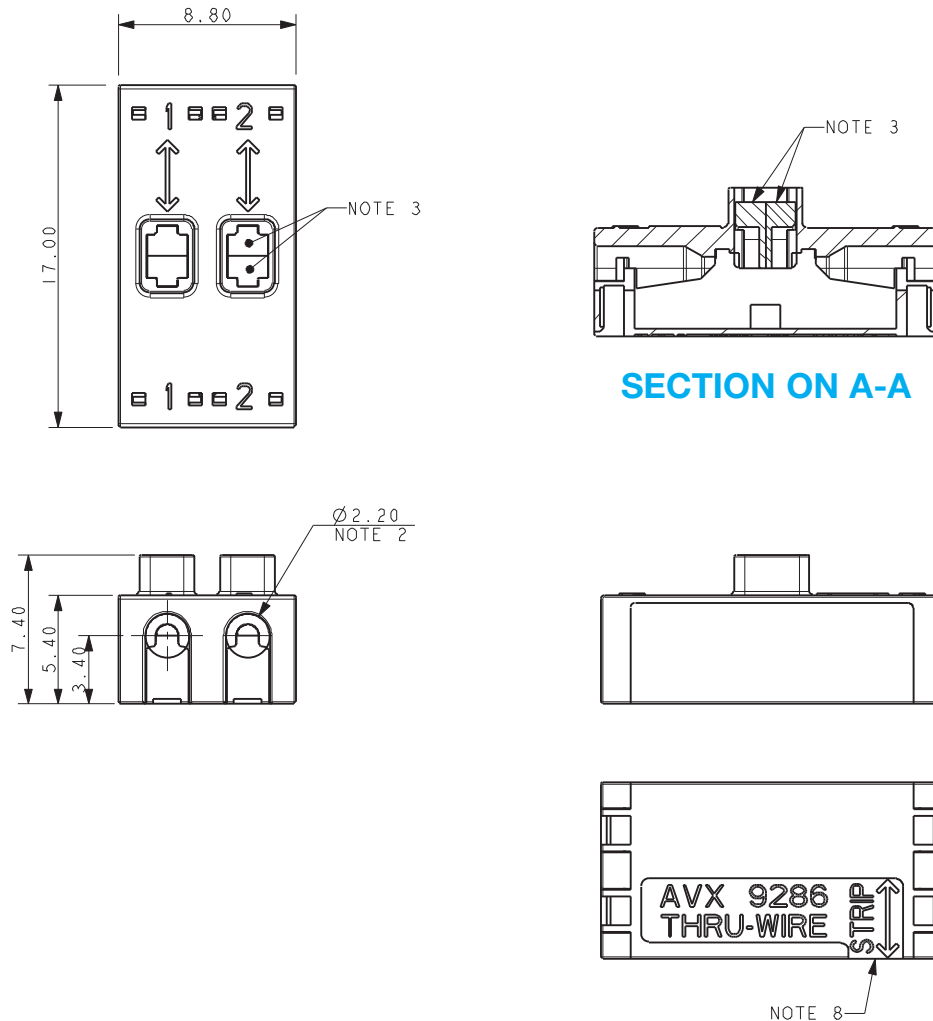
### PACKING DETAILS

Pack 400 pieces in a clear plastic bag.

#### NOTES:

1. 1 WAY WIRE TO WIRE "POKE-HOME" CONNECTOR, BUTTON OPERATED.
2. WIRE SIZES 18-26 AWG, MAXIMUM INSULATION DIAMETER 2.10MM.
3. SPLIT BUTTON ALLOWS THE WIRES TO BE INSERTED/WITHDRAWN INDEPENDENTLY.
4. INSULATION MATERIAL: NYLON 46, GLASS FILLED, UL94 V-0. COLOR SEE PAGE 2.
5. CONTACT MATERIAL: TIN PLATED COPPER ALLOY.
6. FOR FULL SPECIFICATION REFER TO ELCO SPECIFICATION 201-01-132.  
FOR APPLICATION NOTES REFER TO ELCO SPECIFICATION 201-01-135.
7. GENERAL TOLERANCE  $\pm 0.20$ MM.
8. WIRE STRIP LENGTH GUIDE, SEE PAGE 13.
9. ADHESIVE STRIP FOR PANEL MOUNTING REFER TO PAGE 14.
10. FOR UL PRODUCT CODES UL REFERENCE E90723 (US AND CANADA).

### 18-26 AWG 2 WAY POKE-HOME – THRU WIRE



### PACKING DETAILS

Pack 400 pieces in a clear plastic bag.

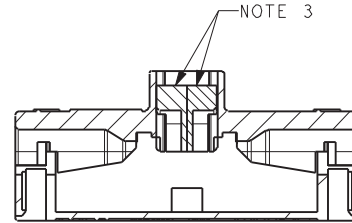
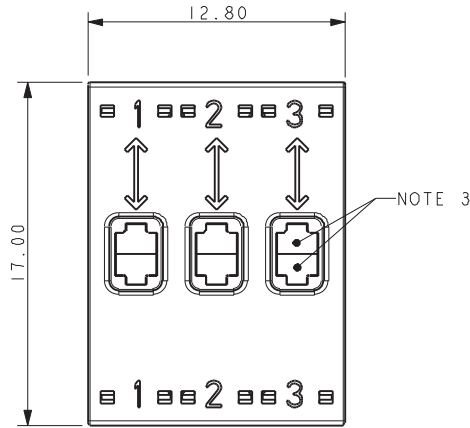
#### NOTES:

1. 2 WAY WIRE TO WIRE “POKE-HOME” CONNECTOR, BUTTON OPERATED.
2. WIRE SIZES 18-26 AWG, MAXIMUM INSULATION DIAMETER 2.10MM.
3. SPLIT BUTTON ALLOWS THE WIRES TO BE INSERTED/WITHDRAWN INDEPENDENTLY.
4. INSULATION MATERIAL: NYLON 46, GLASS FILLED, UL94 V-0. COLOR SEE PAGE 2.
5. CONTACT MATERIAL: TIN PLATED COPPER ALLOY.
6. FOR FULL SPECIFICATION REFER TO ELCO SPECIFICATION 201-01-132.  
FOR APPLICATION NOTES REFER TO ELCO SPECIFICATION 201-01-135.
7. GENERAL TOLERANCE  $\pm 0.20$ MM.
8. WIRE STRIP LENGTH GUIDE, SEE PAGE 13.
9. ADHESIVE STRIP FOR PANEL MOUNTING REFER TO PAGE 14.
10. FOR UL PRODUCT CODES UL REFERENCE E90723 (US AND CANADA).

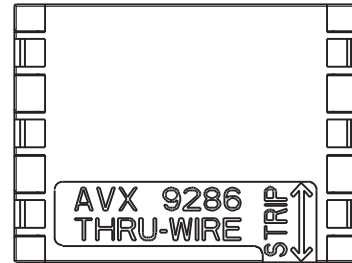
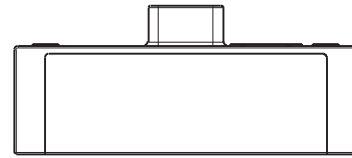
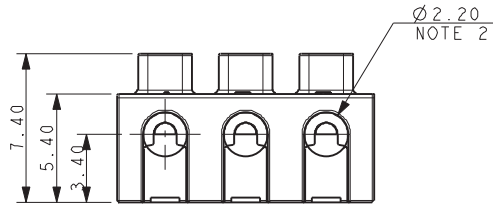
# Poke-Home – Thru-Wire: WTW

00-9286

## 18-26 AWG 3 WAY POKE-HOME – THRU WIRE



**SECTION ON A-A**



NOTE 8

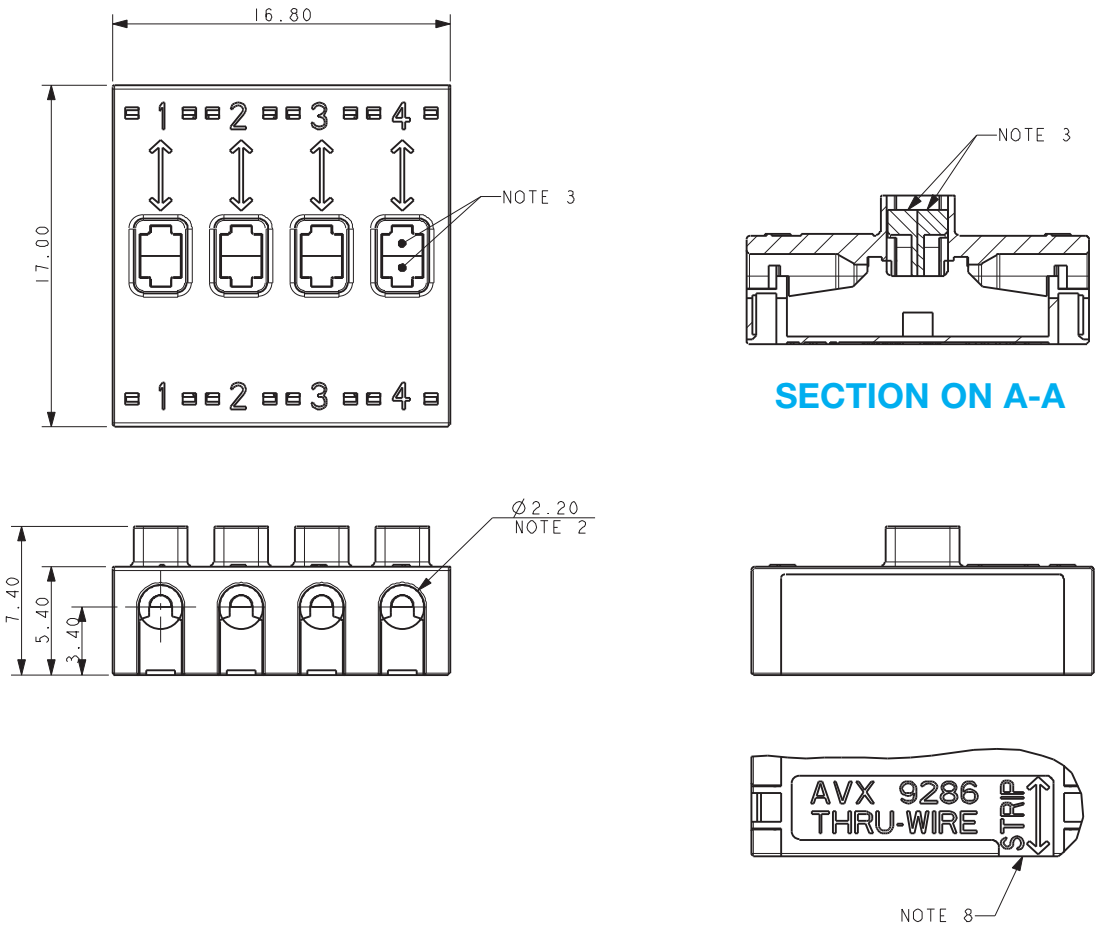
### PACKING DETAILS

Pack 400 pieces in a clear plastic bag.

#### NOTES:

1. 3 WAY WIRE TO WIRE "POKE-HOME" CONNECTOR, BUTTON OPERATED.
2. WIRE SIZES 18-26 AWG, MAXIMUM INSULATION DIAMETER 2.10MM.
3. SPLIT BUTTON ALLOWS THE WIRES TO BE INSERTED/WITHDRAWN INDEPENDENTLY.
4. INSULATION MATERIAL: NYLON 46, GLASS FILLED, UL94 V-0. COLOR SEE PAGE 2.
5. CONTACT MATERIAL: TIN PLATED COPPER ALLOY.
6. FOR FULL SPECIFICATION REFER TO ELCO SPECIFICATION 201-01-132.  
FOR APPLICATION NOTES REFER TO ELCO SPECIFICATION 201-01-135.
7. GENERAL TOLERANCE  $\pm 0.20$ MM.
8. WIRE STRIP LENGTH GUIDE, SEE PAGE 13.
9. ADHESIVE STRIP FOR PANEL MOUNTING REFER TO PAGE 14.
10. FOR UL PRODUCT CODES UL REFERENCE E90723 (US AND CANADA).

### 18-26 AWG 4 WAY POKE-HOME – THRU WIRE



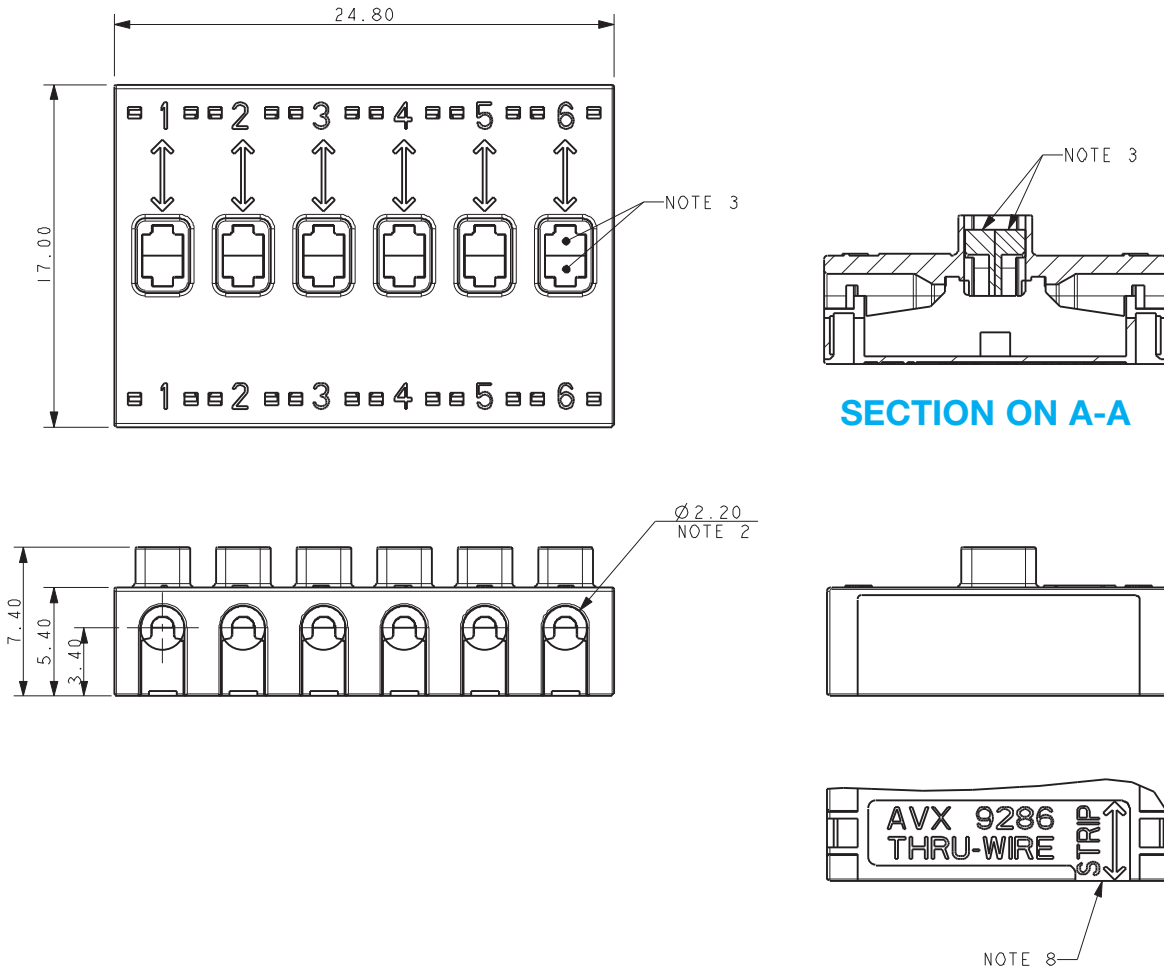
### PACKING DETAILS

Pack 400 pieces in a clear plastic bag.

#### NOTES:

1. 4 WAY WIRE TO WIRE "POKE-HOME" CONNECTOR, BUTTON OPERATED.
2. WIRE SIZES 18-26 AWG, MAXIMUM INSULATION DIAMETER 2.10MM.
3. SPLIT BUTTON ALLOWS THE WIRES TO BE INSERTED/WITHDRAWN INDEPENDENTLY.
4. INSULATION MATERIAL: NYLON 46, GLASS FILLED, UL94 V-0. COLOR SEE PAGE 2.
5. CONTACT MATERIAL: TIN PLATED COPPER ALLOY.
6. FOR FULL SPECIFICATION REFER TO ELCO SPECIFICATION 201-01-132.  
FOR APPLICATION NOTES REFER TO ELCO SPECIFICATION 201-01-135.
7. GENERAL TOLERANCE  $\pm 0.20$ MM.
8. WIRE STRIP LENGTH GUIDE, SEE PAGE 13.
9. ADHESIVE STRIP FOR PANEL MOUNTING REFER TO PAGE 14.
10. FOR UL PRODUCT CODES UL REFERENCE E90723 (US AND CANADA).

### 18-26 AWG 6 WAY POKE-HOME – THRU WIRE



### PACKING DETAILS

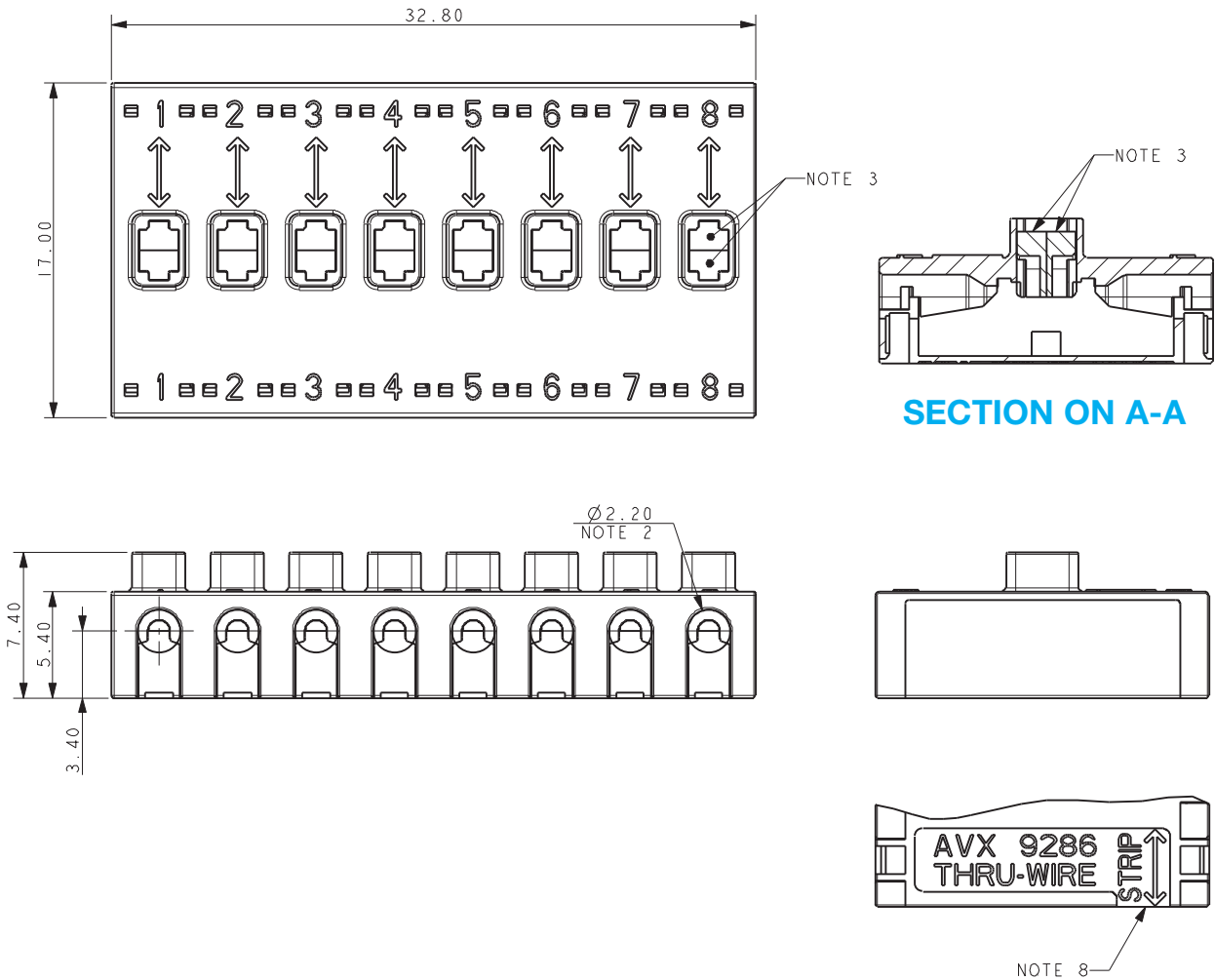
Pack 400 pieces in a clear plastic bag.

#### NOTES:

1. 6 WAY WIRE TO WIRE "POKE-HOME" CONNECTOR, BUTTON OPERATED.
2. WIRE SIZES 18-26 AWG, MAXIMUM INSULATION DIAMETER 2.10MM.
3. SPLIT BUTTON ALLOWS THE WIRES TO BE INSERTED/WITHDRAWN INDEPENDENTLY.
4. INSULATION MATERIAL: NYLON 46, GLASS FILLED, UL94 V-0. COLOR SEE PAGE 2.
5. CONTACT MATERIAL: TIN PLATED COPPER ALLOY.
6. FOR FULL SPECIFICATION REFER TO ELCO SPECIFICATION 201-01-132.  
FOR APPLICATION NOTES REFER TO ELCO SPECIFICATION 201-01-135.
7. GENERAL TOLERANCE  $\pm 0.20$ MM.
8. WIRE STRIP LENGTH GUIDE, SEE PAGE 13.
9. ADHESIVE STRIP FOR PANEL MOUNTING REFER TO PAGE 14.
10. FOR UL PRODUCT CODES UL REFERENCE E90723 (US AND CANADA).



### 18-26 AWG 8 WAY POKE-HOME – THRU WIRE



### PACKING DETAILS

Pack 400 pieces in a clear plastic bag.

#### NOTES:

1. 8 WAY WIRE TO WIRE "POKE-HOME" CONNECTOR, BUTTON OPERATED.
2. WIRE SIZES 18-26 AWG, MAXIMUM INSULATION DIAMETER 2.10MM.
3. SPLIT BUTTON ALLOWS THE WIRES TO BE INSERTED/WITHDRAWN INDEPENDENTLY.
4. INSULATION MATERIAL: NYLON 46, GLASS FILLED, UL94 V-0. COLOR SEE PAGE 2.
5. CONTACT MATERIAL: TIN PLATED COPPER ALLOY.
6. FOR FULL SPECIFICATION REFER TO ELCO SPECIFICATION 201-01-132.  
FOR APPLICATION NOTES REFER TO ELCO SPECIFICATION 201-01-135.
7. GENERAL TOLERANCE  $\pm 0.20$ MM.
8. WIRE STRIP LENGTH GUIDE, SEE PAGE 13.
9. ADHESIVE STRIP FOR PANEL MOUNTING REFER TO PAGE 14.
10. FOR UL PRODUCT CODES UL REFERENCE E90723 (US AND CANADA).

# Reduced Thru Wire Connector

## 18-24 AWG: WTW

9286-200



Wire-to-Wire (WTW) connectors have been used in the industrial market for years with traditional 2-Piece (plug & socket) connector systems. These require crimp and poke wire terminations to connect discrete wires together. While these provide repeated pluggability and latching, they are often size and cost prohibited in applications where the wires may only need to be replaced once or twice during their life.

The reduced 9286-200 series of thru wire connectors expands on the already proven 9286 poke-home discrete WTW family of connectors, but in a smaller package size. The development of an active stainless steel spring contact eliminates the need for push button activation to insert and remove wires which offers a significant cost savings. The mechanical properties of this contact provide maximum wire retention across a broad range of solid and stranded wire gauges, making this connector very versatile in field installations.

### APPLICATIONS

- Industrial Machine Controls; motors, drives, solenoids, sensors, fans, pumps, etc...
- Commercial Buildings; controls, security, fire and sensors
- Smart Grid; meters, breakers and panels
- SSL/LED; fixtures, signage and streetlights
- Application notes; refer to 201-01-172

### FEATURES AND BENEFITS

- Simple strip and poke-home wire insertion with twist and pull wire extraction
- High spring force stainless steel contact maximizes cost, strength and flexibility
- Accepts 18-24 AWG solid and stranded wires
- Expanded size offering to cover multiple power and signal applications: 1p-6p

### ELECTRICAL

- Voltage Rating: 300 VAC
- Current Rating: See matrix below

### ENVIRONMENTAL

- Operating Temperature: -40°C to +130°C

### MECHANICAL

- Insulator Material: Glass-Filled Nylon 46; UL94V0
- Fixed Contact Material: Copper Alloy
- Flexing Contact: Stainless Steel
- Fixed Contact Plating; Tin over Nickel
- Durability: 5 Cycles

### HOW TO ORDER

<b>00</b>	<b>9286</b>	<b>00X</b>																					
Prefix	Series	Number of Ways																					
		<table border="1"> <thead> <tr> <th>Code</th> <th>No of Ways</th> <th>Details</th> </tr> </thead> <tbody> <tr> <td>001</td> <td>1</td> <td>Page 10</td> </tr> <tr> <td>002</td> <td>2</td> <td>Page 11</td> </tr> <tr> <td>003</td> <td>3</td> <td>Page 12</td> </tr> <tr> <td>004</td> <td>4</td> <td>Page 13</td> </tr> <tr> <td>005</td> <td>5</td> <td>Page 14</td> </tr> <tr> <td>006</td> <td>6</td> <td>Page 15</td> </tr> </tbody> </table>	Code	No of Ways	Details	001	1	Page 10	002	2	Page 11	003	3	Page 12	004	4	Page 13	005	5	Page 14	006	6	Page 15
Code	No of Ways	Details																					
001	1	Page 10																					
002	2	Page 11																					
003	3	Page 12																					
004	4	Page 13																					
005	5	Page 14																					
006	6	Page 15																					

<b>203</b>						
Wire Size						
<table border="1"> <thead> <tr> <th>Code</th> <th>Accepted Wire Gauge</th> <th>Max Insulation</th> </tr> </thead> <tbody> <tr> <td>203</td> <td>18 – 24 AWG Solid or Stranded</td> <td>2.10mm Diameter</td> </tr> </tbody> </table>	Code	Accepted Wire Gauge	Max Insulation	203	18 – 24 AWG Solid or Stranded	2.10mm Diameter
Code	Accepted Wire Gauge	Max Insulation				
203	18 – 24 AWG Solid or Stranded	2.10mm Diameter				

<b>X</b>	<b>06</b>
Insulator Color	Plating Option
9 = UL White	06 = Tin All Over



### CURRENT RATING

Wire gauge	Maximum approved current (amps)	
	UL (USA)	UL (Canada)
18AWG	8	8
20AWG	6	4
22AWG	5	4
24AWG	3	2

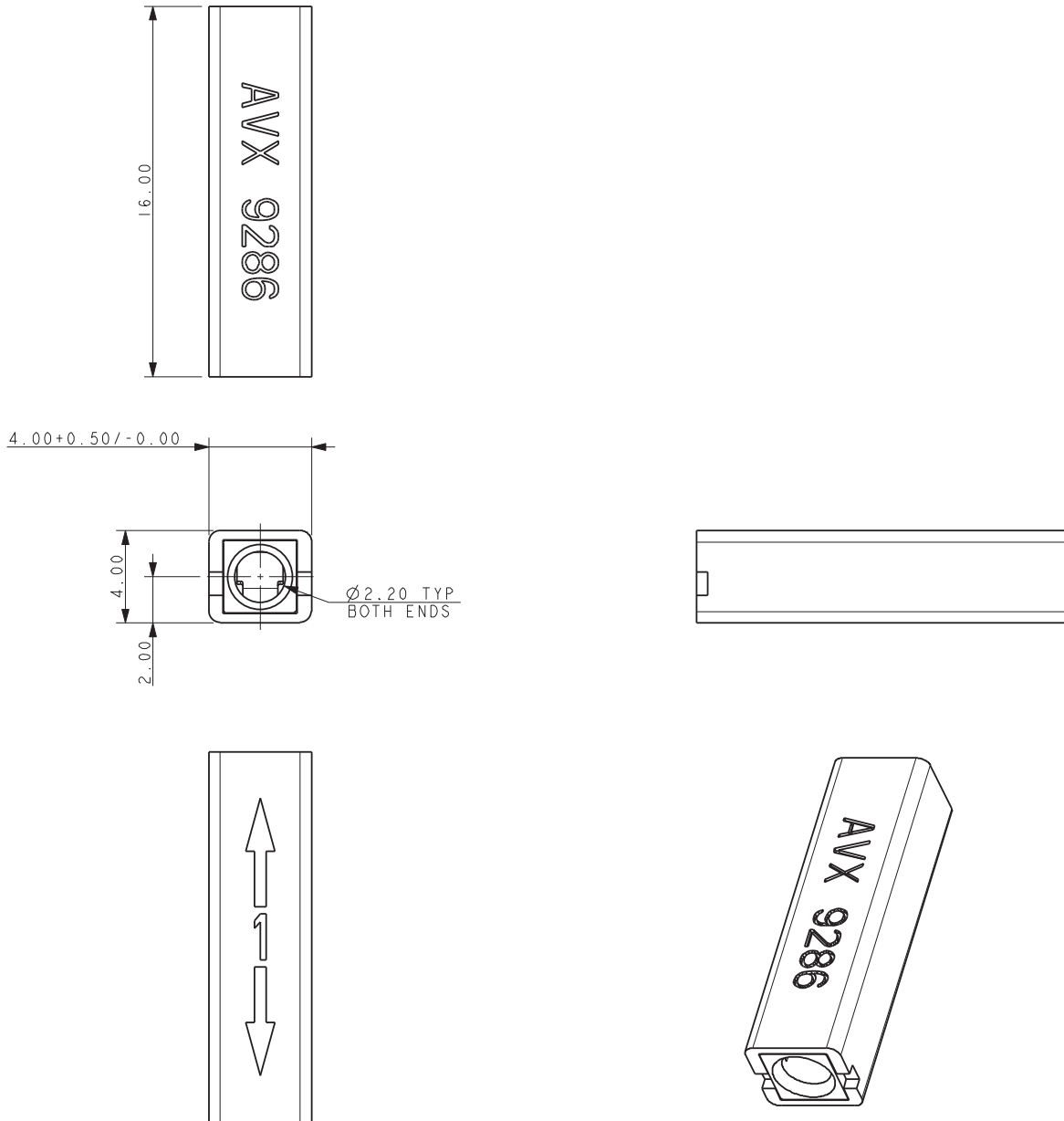
UL File #E90723

091416

# Reduced Thru Wire Connector 18-24 AWG: WTW

9286-200

## POKE HOME 1 WAY – THRU WIRE 18AWG TO 24AWG



**NOTES:**

1. 1 WAY WIRE TO WIRE POKE HOME CONNECTOR.
2. WIRE CONDUCTOR SIZES 18-24AWG (SOLID OR STRANDED).  
MAXIMUM INSULATION 2.10MM DIAMETER.
3. INSULATION MATERIAL: NYLON 46, GLASS FILLED, UL94 V-0, COLOR SEE PAGE 9.
4. CONTACT MATERIAL: FIXED CONTACT: TIN PLATED COPPER ALLOY.  
FLEXING CONTACT: STAINLESS STEEL.
5. PACKING IN BAGS, 1000 PIECES PER BAG.
6. FOR FURTHER DETAILS REFER TO SPECIFICATION 201-01-171 AND APPLICATION NOTES 201-01-172.
7. UL APPROVED, UL FILE REFERENCE E90723 (US AND CANADA).

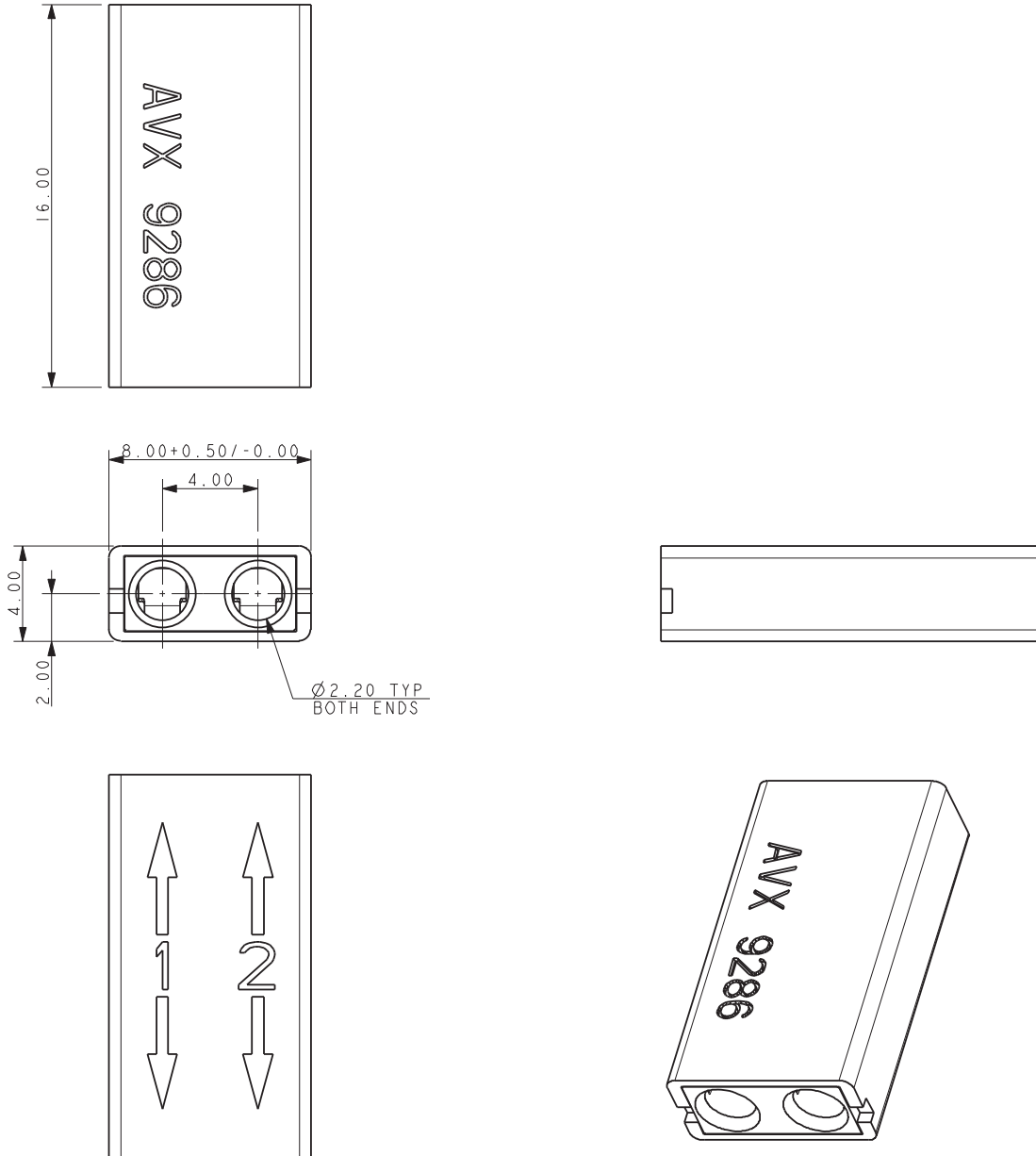
# Reduced Thru Wire Connector

## 18-24 AWG: WTW

9286-200

### POKE HOME 2 WAY – THRU WIRE

#### 18AWG TO 24AWG



**NOTES:**

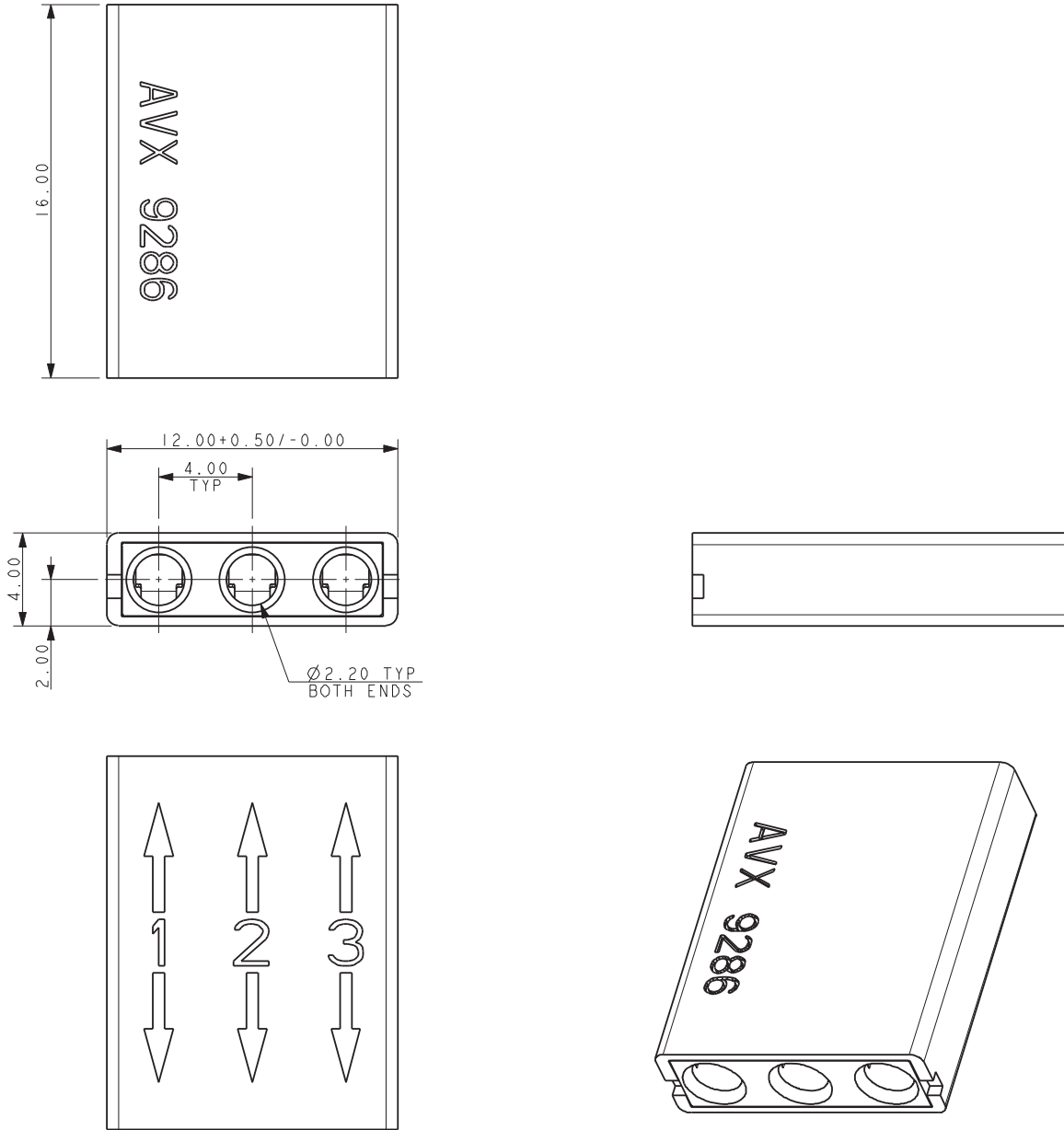
1. 2 WAY WIRE TO WIRE POKE HOME CONNECTOR.
2. WIRE CONDUCTOR SIZES 18-24AWG (SOLID OR STRANDED).  
MAXIMUM INSULATION 2.10MM DIAMETER.
3. INSULATION MATERIAL: NYLON 46, GLASS FILLED, UL94 V-0, COLOR SEE PAGE 1.
4. CONTACT MATERIAL: FIXED CONTACT: TIN PLATED COPPER ALLOY.  
FLEXING CONTACT: STAINLESS STEEL.
5. PACKING IN BAGS, 1000 PIECES PER BAG.
6. FOR FURTHER DETAILS REFER TO SPECIFICATION 201-01-171 AND APPLICATION NOTES 201-01-172.
7. UL APPROVED, UL FILE REFERENCE E90723 (US AND CANADA).

# Reduced Thru Wire Connector

## 18-24 AWG: WTW

9286-200

### POKE HOME 3 WAY – THRU WIRE 18AWG TO 24AWG



**NOTES:**

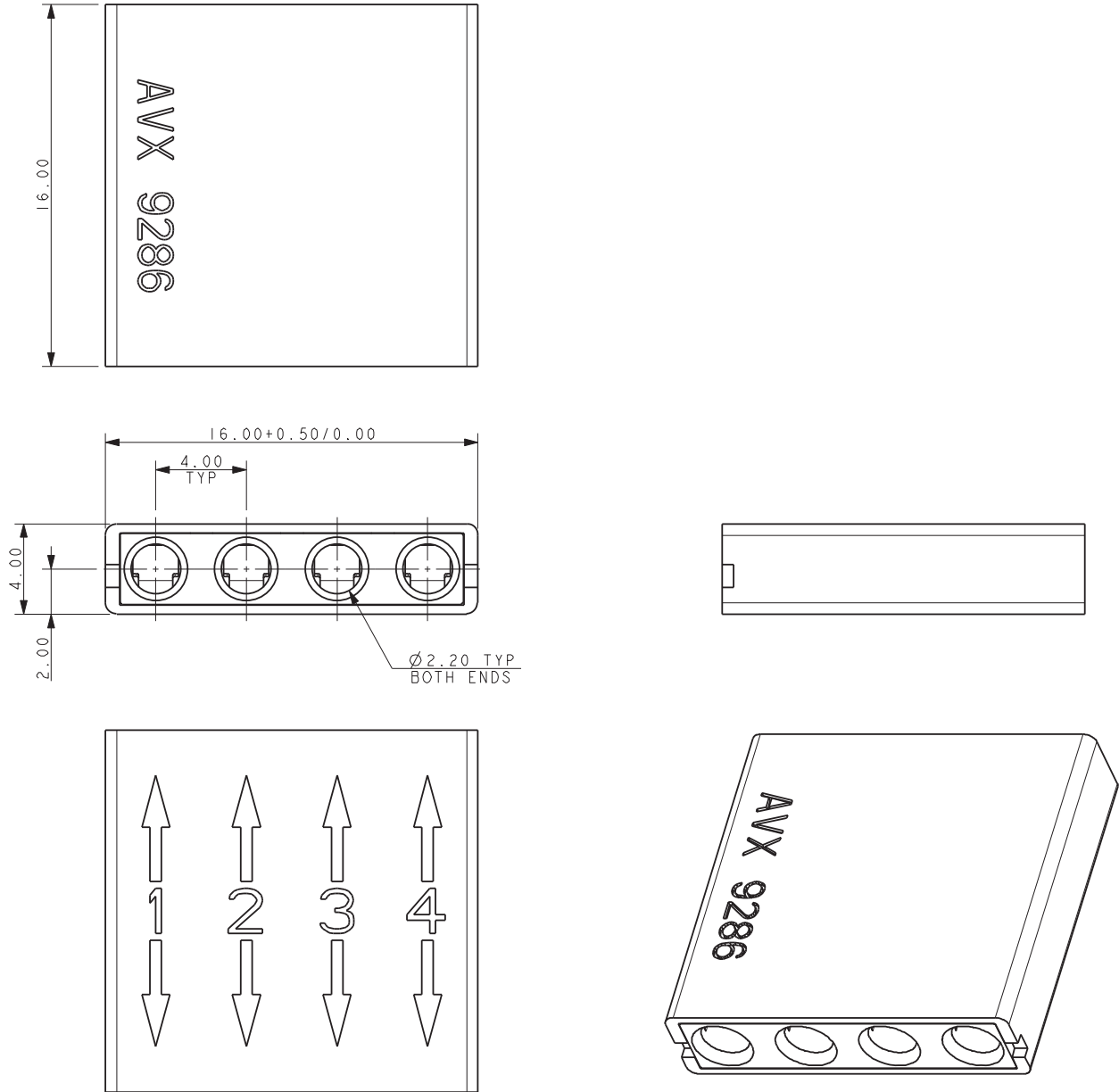
1. 3 WAY WIRE TO WIRE POKE HOME CONNECTOR.
2. WIRE CONDUCTOR SIZES 18-24AWG (SOLID OR STRANDED).  
MAXIMUM INSULATION 2.10MM DIAMETER.
3. INSULATION MATERIAL: NYLON 46, GLASS FILLED, UL94 V-0, COLOR SEE PAGE 9.
4. CONTACT MATERIAL: FIXED CONTACT: TIN PLATED COPPER ALLOY.  
FLEXING CONTACT: STAINLESS STEEL.
5. PACKING IN BAGS, 1000 PIECES PER BAG.
6. FOR FURTHER DETAILS REFER TO SPECIFICATION 201-01-171 AND APPLICATION NOTES 201-01-172.
7. UL APPROVED, UL FILE REFERENCE E90723 (US AND CANADA).

# Reduced Thru Wire Connector

## 18-24 AWG: WTW

9286-200

### POKE HOME 4 WAY – THRU WIRE 18AWG TO 24AWG



**NOTES:**

1. 4 WAY WIRE TO WIRE POKE HOME CONNECTOR.
2. WIRE CONDUCTOR SIZES 18-24AWG (SOLID OR STRANDED).  
MAXIMUM INSULATION 2.10MM DIAMETER.
3. INSULATION MATERIAL: NYLON 46, GLASS FILLED, UL94 V-0, COLOR SEE PAGE 9.
4. CONTACT MATERIAL: FIXED CONTACT: TIN PLATED COPPER ALLOY.  
FLEXING CONTACT: STAINLESS STEEL.
5. PACKING IN BAGS, 1000 PIECES PER BAG.
6. FOR FURTHER DETAILS REFER TO SPECIFICATION 201-01-171 AND APPLICATION NOTES 201-01-172.
7. UL APPROVED, UL FILE REFERENCE E90723 (US AND CANADA).

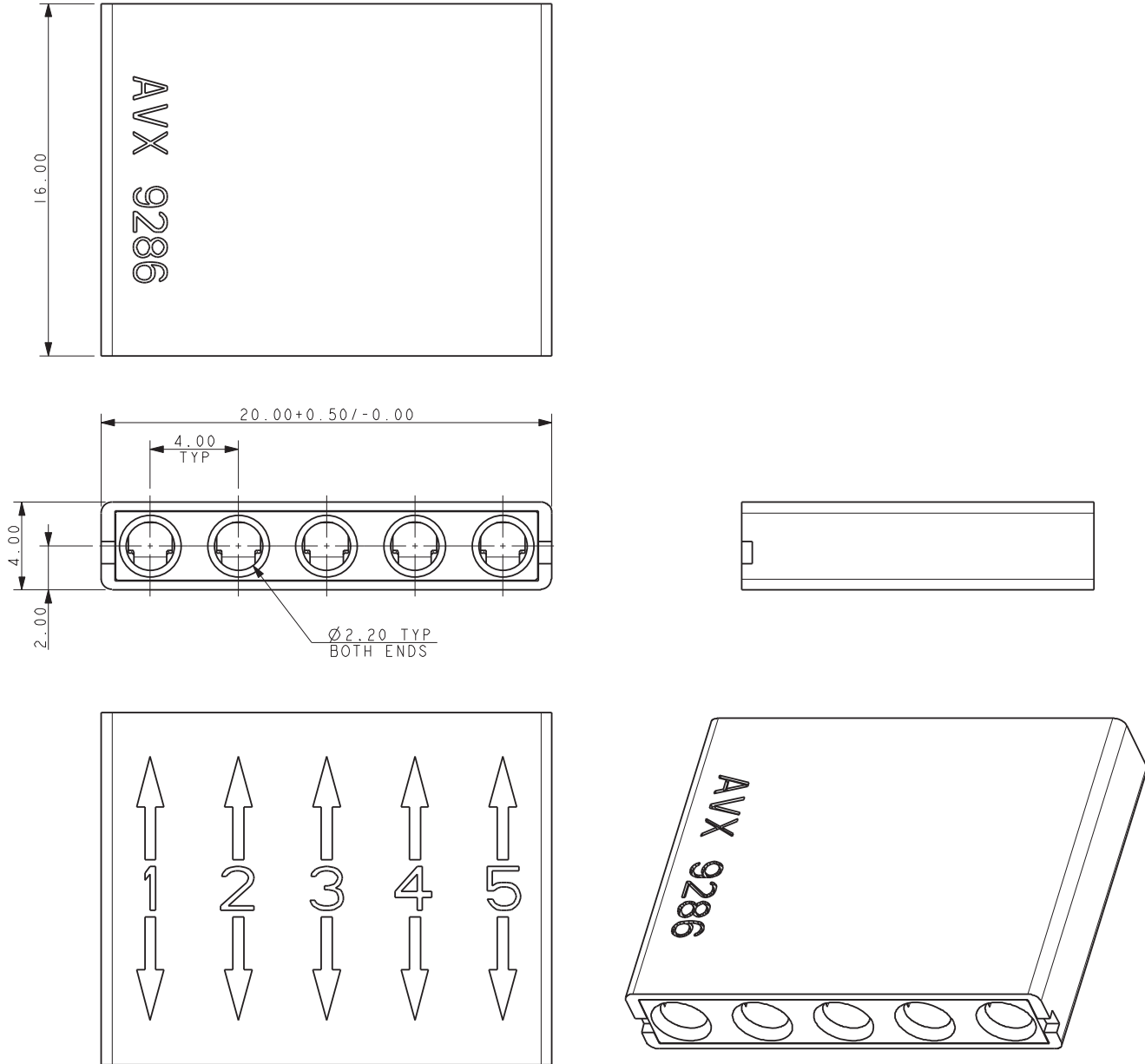
# Reduced Thru Wire Connector

## 18-24 AWG: WTW

9286-200

### POKE HOME 5 WAY – THRU WIRE

#### 18AWG TO 24AWG



**NOTES:**

1. 5 WAY WIRE TO WIRE POKE HOME CONNECTOR.
2. WIRE CONDUCTOR SIZES 18-24AWG (SOLID OR STRANDED).  
MAXIMUM INSULATION 2.10MM DIAMETER.
3. INSULATION MATERIAL: NYLON 46, GLASS FILLED, UL94 V-0, COLOR SEE PAGE 9.
4. CONTACT MATERIAL: FIXED CONTACT: TIN PLATED COPPER ALLOY.  
FLEXING CONTACT: STAINLESS STEEL.
5. PACKING IN BAGS, 1000 PIECES PER BAG.
6. FOR FURTHER DETAILS REFER TO SPECIFICATION 201-01-171 AND APPLICATION NOTES 201-01-172.
7. UL APPROVED, UL FILE REFERENCE E90723 (US AND CANADA).

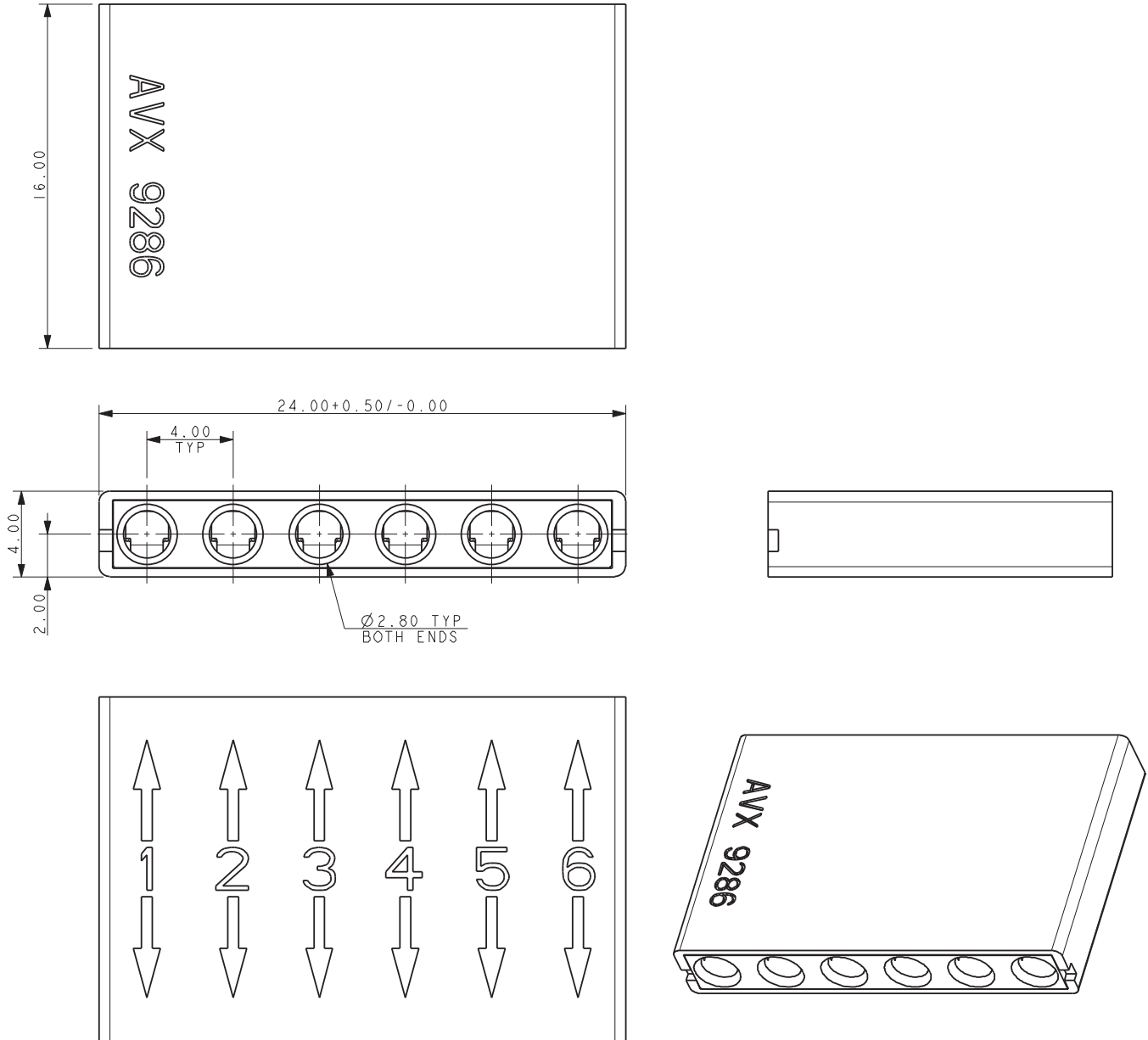
# Reduced Thru Wire Connector

## 18-24 AWG: WTW

9286-200

### POKE HOME 6 WAY – THRU WIRE

#### 18AWG TO 24AWG



**NOTES:**

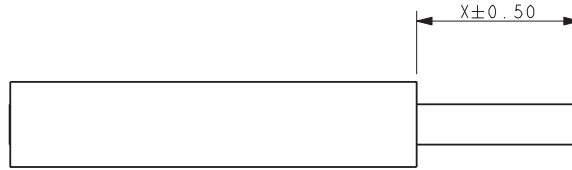
1. 6 WAY WIRE TO WIRE POKE HOME CONNECTOR.
2. WIRE CONDUCTOR SIZES 18-24AWG (SOLID OR STRANDED).  
MAXIMUM INSULATION 2.10MM DIAMETER.
3. INSULATION MATERIAL: NYLON 46, GLASS FILLED, UL94 V-0, COLOR SEE PAGE 9.
4. CONTACT MATERIAL: FIXED CONTACT: TIN PLATED COPPER ALLOY.  
FLEXING CONTACT: STAINLESS STEEL.
5. PACKING IN BAGS, 1000 PIECES PER BAG.
6. FOR FURTHER DETAILS REFER TO SPECIFICATION 201-01-171 AND APPLICATION NOTES 201-01-172.
7. UL APPROVED, UL FILE REFERENCE E90723 (US AND CANADA).



# Reduced Thru Wire Connector 18-24 AWG: WTW

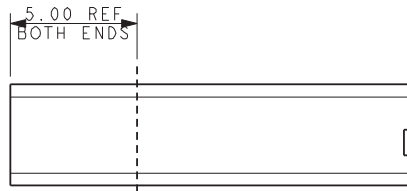
9286-200

## POKE HOME – THRU WIRE WIRE TRIM

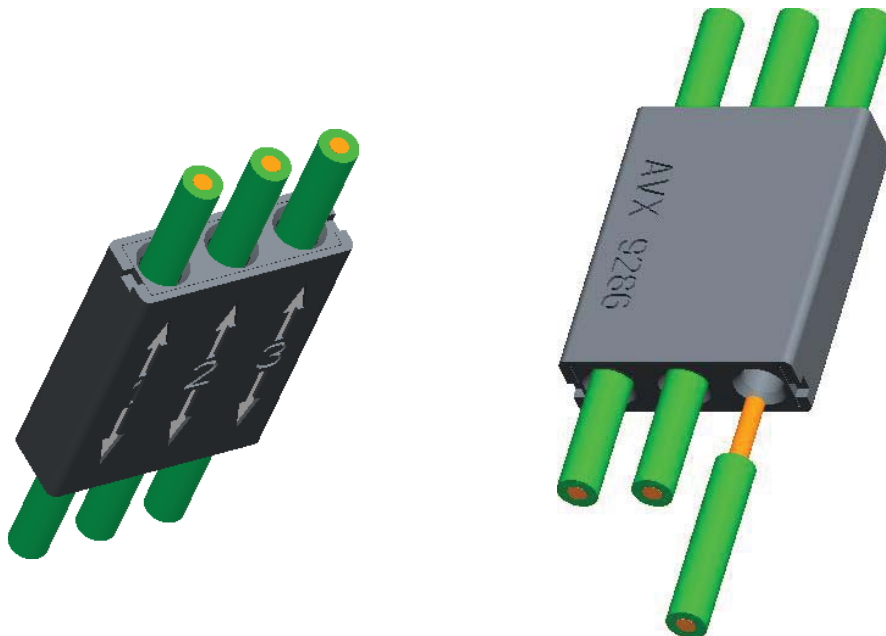


Insulation Diameter	Wire Trim Length X
Up to 2.10 Diameter	$4.00 \pm 0.50$
Above 2.10mm Diameter See Application Notes 201-01-172	$7.00 \pm 0.50$

## REST POSITION OF CONTACT TIP



## POKE HOME – THRU WIRE ASSEMBLY



FOR FULL ASSEMBLY DETAILS REFER TO APPLICATION NOTE 201-01-172

# Poke-Home – Junction Box: WTW

00-9286



Wire-to-Wire connectors have been used in the industrial market for years with traditional 2-Piece (plug and socket) connector systems which require crimp and poke wire terminations to connect electrical or electronic components. In the general wiring market (2-3 wires) there are a number of connector styles available, however, they are limited in sizes, expanded wire gauges and the ability to reuse them when repair or replacement is needed. Based on the existing success of “Poke-Home” wire-to-board connectors, AVX has developed a new family of wire-to-wire connectors to meet the cost, flexibility and ease-of-use targets in industrial wiring applications.

The 9286 series of Junction Box connectors provide a high spring force Beryllium Copper contact system that uses simple push button activation to insert and remove individual stripped wires in the connection process. There is a forward and aft shrouded (to prevent accidental activation) push button for each wire connection that can be operated individually or simultaneously with a simple plastic tool or ball point pen tip. This connector family has been designed to bring a single wire in and then have multiple output (bus structure) wires of the same power or signal. Four, Six or Eight wires can be electrically connected together in a single connector body which will support any combination of wire gauges from 18AWG up to 26 AWG. Wires can be removed or replaced up to 5 times so there is no need to replace the connector in a new installation.

## APPLICATIONS

- Industrial/Machine Control; motors, solenoids, PLC's, pumps, valves, sensors, fans...
- Commercial/Building; fixtures, fire, security, surveillance, blinds, sensors, controls...
- Commercial/Industrial LED; retail, office, manufacturing, signage, displays...
- Application notes; refer to 201-01-135

## FEATURES AND BENEFITS

- High spring force top contact provides a lance type retention to capture and retain the wire
- Shrouded dual push button activation for easy wire insertion/removal
- Accepts 18-26AWG Solid and Stranded wires; any combination
- Expanded size offering to maximize application potential; 4, 6 or 8 positions
- Optional mounting tape to secure in panel mounting applications
- Molded in position numbers and schematic for easy identification

## ELECTRICAL

- Current Rating: 10 Amps total
- Voltage Rating: 300v AC

## ENVIRONMENTAL

- Operating Temperature: -40°C to +125°C

## MECHANICAL

- Insulator Material: Glass-Filled Nylon 46; UL94V0
- Contact Material: Beryllium Copper / Phosphor Bronze
- Plating: Tin over Nickel
- Replacibility: 5 Cycles

## HOW TO ORDER

**00**  
Prefix

**9286**  
Series

**00X**  
Number of Ways

Code	No of Ways	Details
004	4	Page 18
006	6	Page 19
008	8	Page 20

**121**  
Wire Size

Code	Wire Gauge	Max Conductor	Max Insulation
121	18 to 26 AWG	1.05mm Diameter	2.10mm Diameter

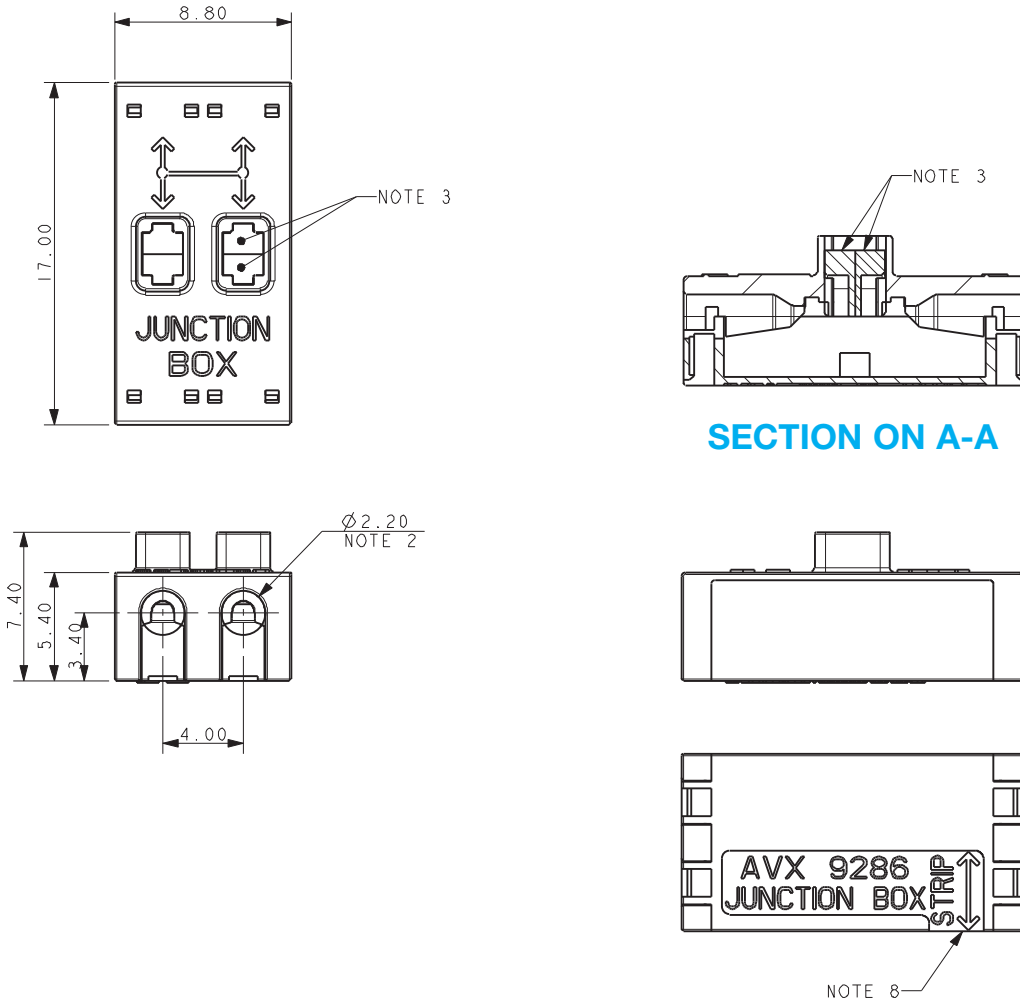
**9**  
Color Options  
9 = UL Red

**06**  
Plating Option  
06 = Tin all over



Certification: UL File #E90723

### 18-26 AWG 4 WAY POKE-HOME – JUNCTION BOX



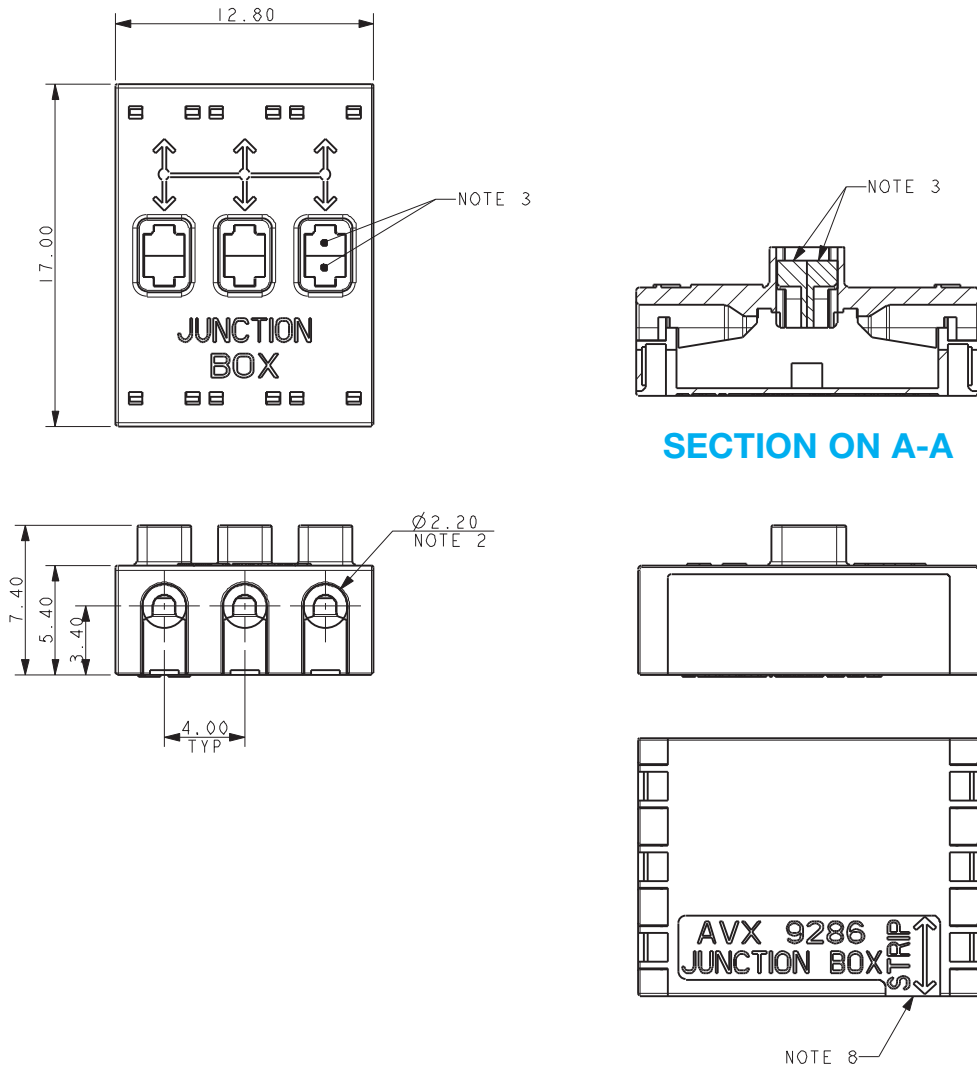
### PACKING DETAILS

Pack 400 pieces in a clear plastic bag.

#### NOTES:

1. 4 WAY WIRE TO WIRE "POKE-HOME" CONNECTOR, BUTTON OPERATED. ALL TERMINALS INTERCONNECTED.
2. WIRE SIZES 18-26 AWG, MAXIMUM INSULATION DIAMETER 2.10MM.
3. SPLIT BUTTON ALLOWS THE WIRES TO BE INSERTED/WITHDRAWN INDEPENDENTLY.
4. INSULATION MATERIAL: NYLON 46, GLASS FILLED, UL94 V-0. COLOR SEE PAGE 17.
5. CONTACT MATERIAL: TIN PLATED COPPER ALLOY.
6. FOR FULL SPECIFICATION REFER TO ELCO SPECIFICATION 201-01-132. FOR APPLICATION NOTES REFER TO ELCO SPECIFICATION 201-01-135.
7. GENERAL TOLERANCE  $\pm 0.20$ MM.
8. WIRE STRIP LENGTH GUIDE, SEE PAGE 21.
9. ADHESIVE STRIP FOR PANEL MOUNTING REFER TO PAGE 22.
10. FOR UL PRODUCT CODES UL REFERENCE E90723 (US AND CANADA).

## 18-26 AWG 6 WAY POKE-HOME – JUNCTION BOX



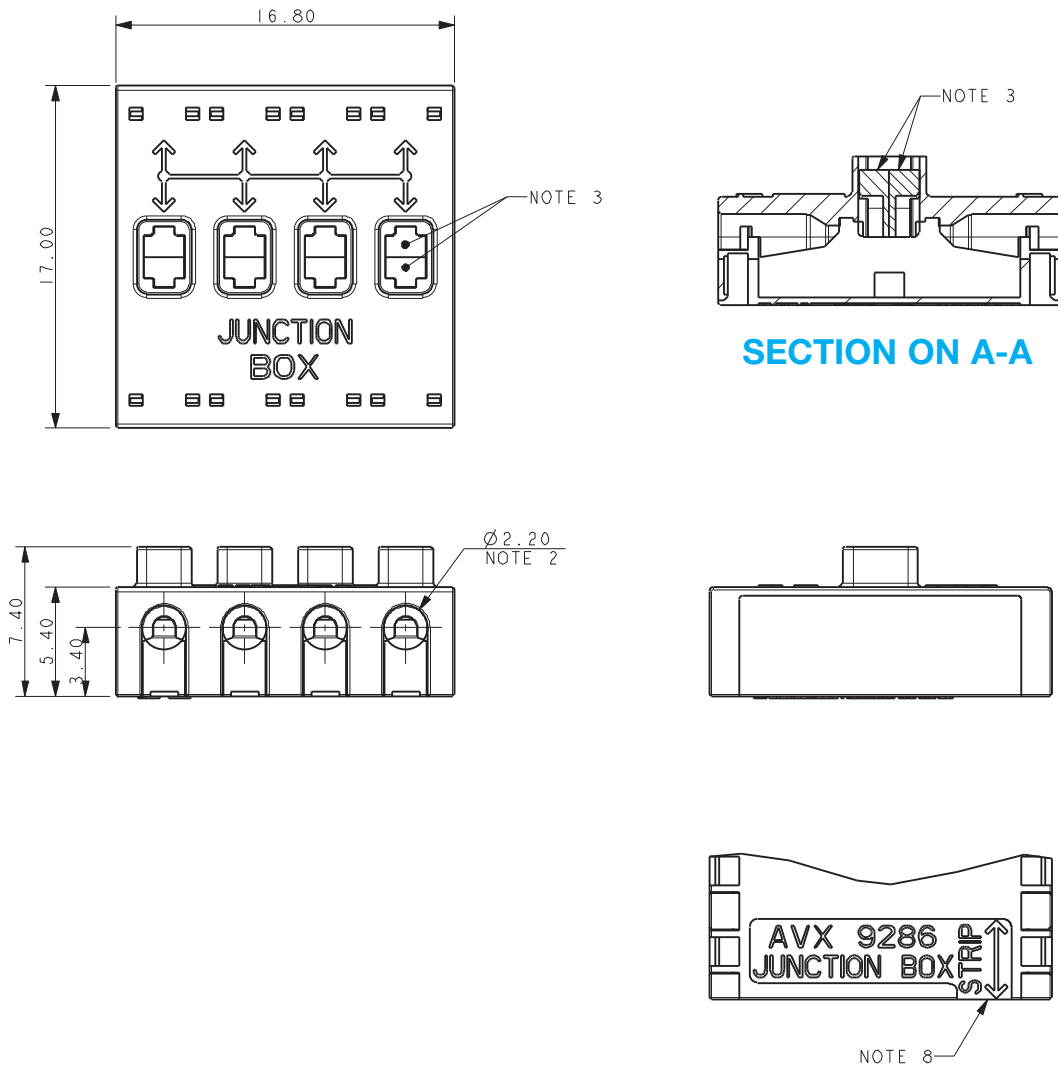
### PACKING DETAILS

Pack 400 pieces in a clear plastic bag.

#### NOTES:

1. 6 WAY WIRE TO WIRE "POKE-HOME" CONNECTOR, BUTTON OPERATED. ALL TERMINALS INTERCONNECTED.
2. WIRE SIZES 18-26 AWG, MAXIMUM INSULATION DIAMETER 2.10MM.
3. SPLIT BUTTON ALLOWS THE WIRES TO BE INSERTED/WITHDRAWN INDEPENDENTLY.
4. INSULATION MATERIAL: NYLON 46, GLASS FILLED, UL94 V-0. COLOR SEE PAGE 17.
5. CONTACT MATERIAL: TIN PLATED COPPER ALLOY.
6. FOR FULL SPECIFICATION REFER TO ELCO SPECIFICATION 201-01-132. FOR APPLICATION NOTES REFER TO ELCO SPECIFICATION 201-01-135.
7. GENERAL TOLERANCE  $\pm 0.20$ MM.
8. WIRE STRIP LENGTH GUIDE, SEE PAGE 21.
9. ADHESIVE STRIP FOR PANEL MOUNTING REFER TO PAGE 22.
10. FOR UL PRODUCT CODES UL REFERENCE E90723 (US AND CANADA).

## 18-26 AWG 8 WAY POKE-HOME – JUNCTION BOX



### PACKING DETAILS

Pack 400 pieces in a clear plastic bag.

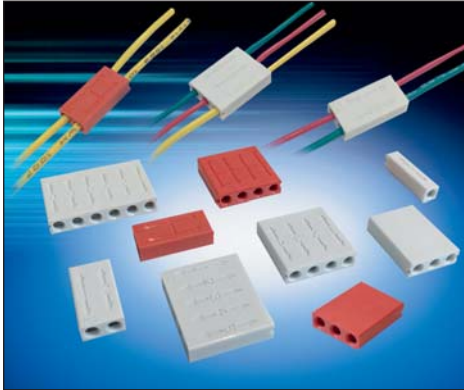
#### NOTES:

1. 8 WAY WIRE TO WIRE "POKE-HOME" CONNECTOR, BUTTON OPERATED. ALL TERMINALS INTERCONNECTED.
2. WIRE SIZES 18-26 AWG, MAXIMUM INSULATION DIAMETER 2.10MM.
3. SPLIT BUTTON ALLOWS THE WIRES TO BE INSERTED/WITHDRAWN INDEPENDENTLY.
4. INSULATION MATERIAL: NYLON 46, GLASS FILLED, UL94 V-0. COLOR SEE PAGE 17.
5. CONTACT MATERIAL: TIN PLATED COPPER ALLOY.
6. FOR FULL SPECIFICATION REFER TO ELCO SPECIFICATION 201-01-132. FOR APPLICATION NOTES REFER TO ELCO SPECIFICATION 201-01-135.
7. GENERAL TOLERANCE  $\pm 0.20$ MM.
8. WIRE STRIP LENGTH GUIDE, SEE PAGE 21.
9. ADHESIVE STRIP FOR PANEL MOUNTING REFER TO PAGE 22.
10. FOR UL PRODUCT CODES UL REFERENCE E90723 (US AND CANADA).

# Reduced Junction Box Connector

## 18-24 AWG: WTW

9286-250



Wire-to-Wire (WTW) connectors have been used in the industrial market for years with traditional 2-Piece (plug & socket) connector systems. These require crimp and poke wire terminations to connect discrete wires together. While these provide repeated pluggability and latching, they are often size and cost prohibited in applications where the wires may only need to be replaced once or twice during their life.

The reduced 9286-250 series of junction connectors expands on the already proven 9286 poke-home discrete WTW family of connectors, but in a smaller package size. Junction box connectors electrically connect each of the inserted wires together, similar to a branch or splitter application but with multiple outputs. The development of an active stainless steel spring contact eliminates the need for push button activation to insert and remove wires which offers a significant cost savings. The mechanical properties of this contact provide maximum wire retention across a broad range of solid and stranded wire gauges, making this connector very versatile in field installations.

### APPLICATIONS

- Industrial Machine Controls; motors, drives, solenoids, sensors, fans, pumps, etc...
- Commercial Buildings; controls, security, fire and sensors
- Smart Grid; meters, breakers and panels
- SSL/LED; fixtures, signage and streetlights
- Application notes; refer to 201-01-172

### FEATURES AND BENEFITS

- Simple strip and poke-home wire insertion with twist and pull wire extraction
- High spring force stainless steel contact maximizes cost, strength and flexibility
- Accepts 18-24 AWG solid and stranded wires
- Expanded size offering to allow up to 8 wires to be connected together

### ELECTRICAL

- Voltage Rating: 300 VAC
- Current Rating: See matrix below

### ENVIRONMENTAL

- Operating Temperature: -40°C to +130°C

### MECHANICAL

- Insulator Material; Glass-Filled Nylon 46; UL94V0
- Fixed Contact Material; Copper Alloy
- Flexing Contact; Stainless Steel
- Fixed Contact Plating; Tin over Nickel
- Durability; 5 Cycles

### HOW TO ORDER

**00** Prefix  
**9286** Series  
**00X** Number of Ways

Code	No of Ways	Details
004	4	Page 22
006	6	Page 23
008	8	Page 24

**253** Wire Size

Code	Accepted Wire Gauge	Max Insulation
253	18 – 24 AWG Solid or Stranded	2.10mm Diameter

**X** Insulator Color  
 9 = UL White  
 Special Order Only  
 0 = UL Black  
 2 = UL Brown  
 3 = UL Blue  
 4 = UL Yellow  
 6 = UL Green  
 7 = UL Orange

**06** Plating Option  
 06 = Tin All Over



### CURRENT RATING

Wire gauge	Maximum approved current (amps)	
	UL (USA)	UL (Canada)
18AWG	8	7
20AWG	8	7
22AWG	6	6
24AWG	4	4

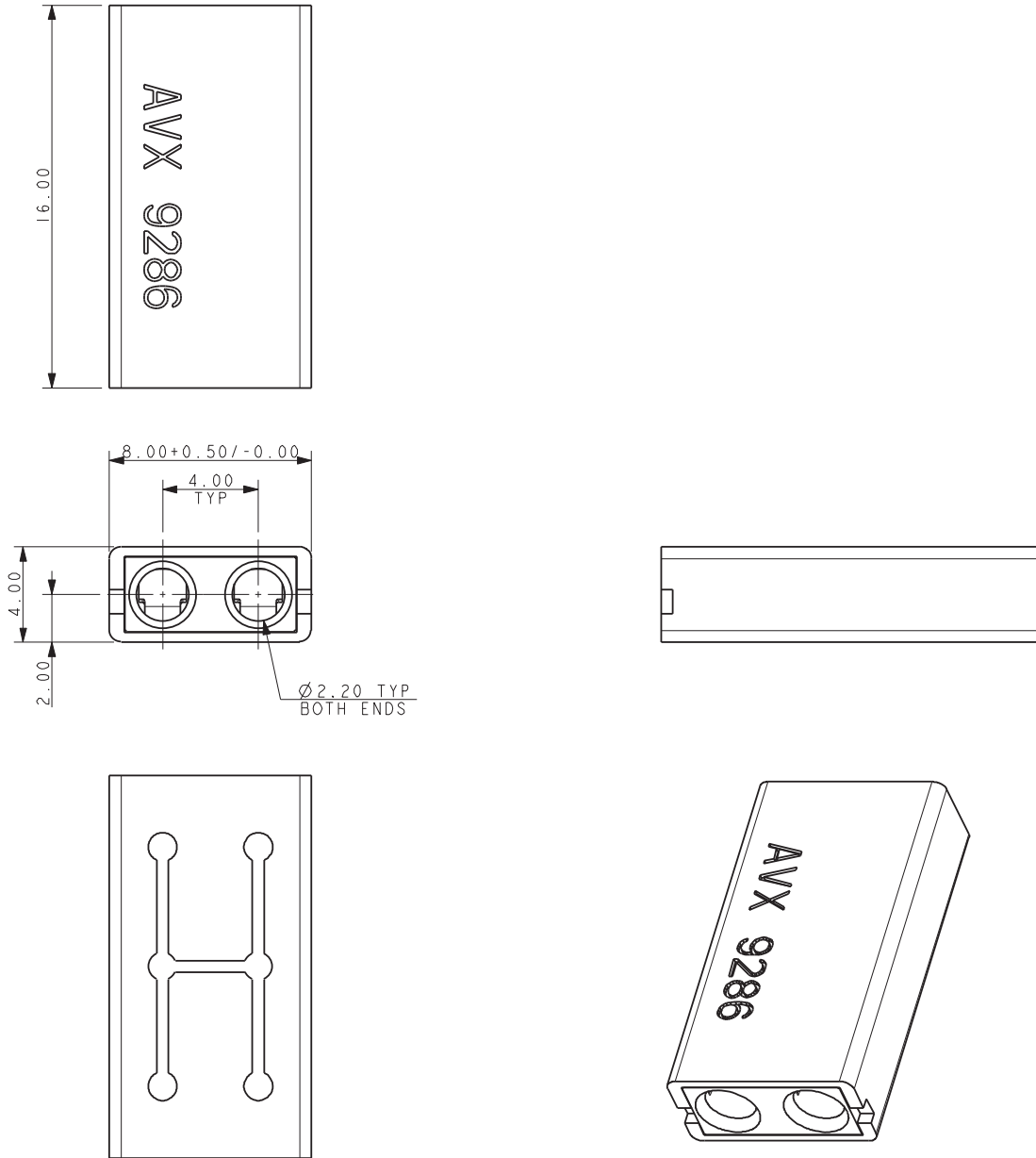
# Reduced Junction Box Connector

## 18-24 AWG: WTW

9286-250

### POKE HOME 4 WAY

### 18AWG TO 24AWG (ALL WIRES CONNECTED)



**NOTES:**

1. 4 WAY WIRE TO WIRE POKE HOME CONNECTOR, JUNCTION BOX, ALL WIRES CONNECTED.
2. WIRE CONDUCTOR SIZES 18-24AWG (SOLID OR STRANDED).  
MAXIMUM INSULATION 2.100MM DIAMETER.
3. INSULATION MATERIAL: NYLON 6, GLASS FILLED, UL94 V-0, COLOR REFER TO PAGE 21.
4. CONTACT MATERIAL: FIXED CONTACT: TIN PLATED COPPER ALLOY.  
FLEXING CONTACT: STAINLESS STEEL.
5. PACKING IN BAGS, 1000 PIECES PER BAG.
6. FOR FURTHER DETAILS REFER TO SPECIFICATION 201-01-171 AND APPLICATION NOTES 201-01-172.
7. UL APPROVED, UL FILE REFERENCE E90723 (US AND CANADA).

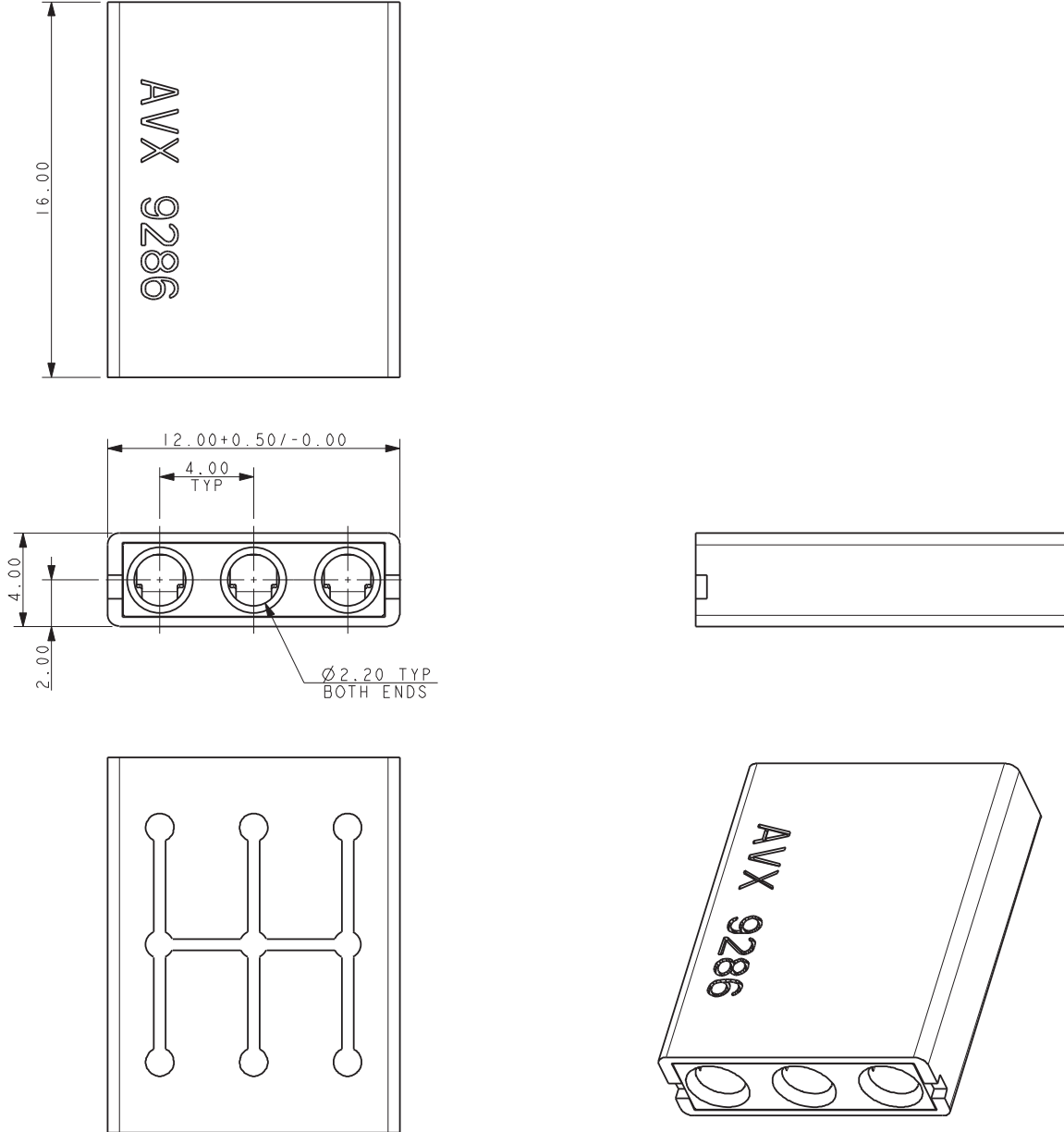
# Reduced Junction Box Connector

## 18-24 AWG: WTW

9286-250

### POKE HOME 6 WAY

### 18AWG TO 24AWG (ALL WIRES CONNECTED)



**NOTES:**

1. 6 WAY WIRE TO WIRE POKE HOME CONNECTOR, JUNCTION BOX, ALL WIRES CONNECTED.
2. WIRE CONDUCTOR SIZES 18-24AWG (SOLID OR STRANDED).  
MAXIMUM INSULATION 2.100MM DIAMETER.
3. INSULATION MATERIAL: NYLON 6, GLASS FILLED, UL94 V-0, COLOR REFER TO PAGE 21.
4. CONTACT MATERIAL: FIXED CONTACT: TIN PLATED COPPER ALLOY.  
FLEXING CONTACT: STAINLESS STEEL.
5. PACKING IN BAGS, 1000 PIECES PER BAG.
6. FOR FURTHER DETAILS REFER TO SPECIFICATION 201-01-171 AND APPLICATION NOTES 201-01-172.
7. UL APPROVED, UL FILE REFERENCE E90723 (US AND CANADA).



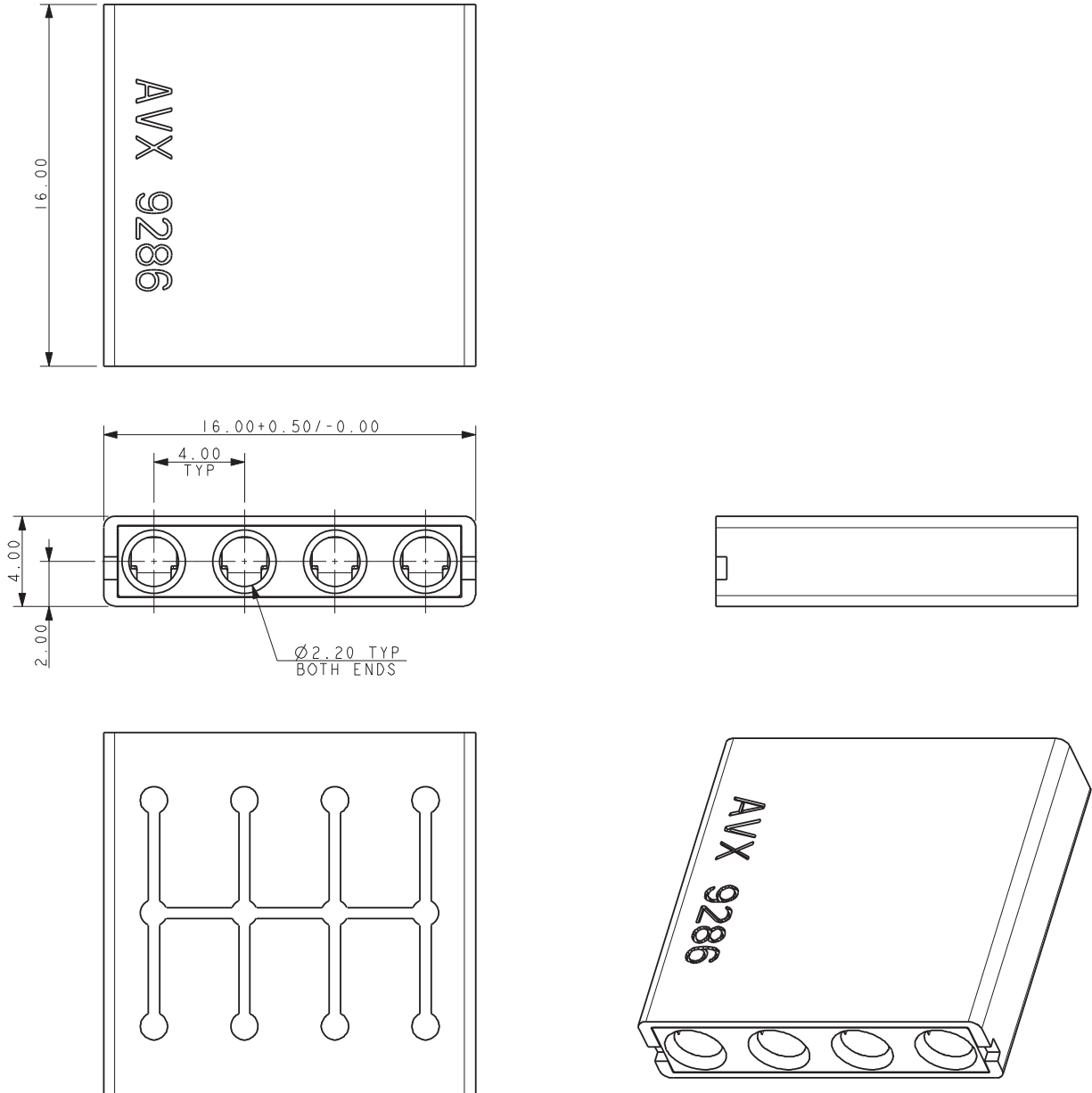
# Reduced Thru Wire Connector

## 18-24 AWG: WTW

9286-200

### POKE HOME 8 WAY

### 18AWG TO 24AWG (ALL WIRES CONNECTED)



**NOTES:**

1. 8 WAY WIRE TO WIRE POKE HOME CONNECTOR, JUNCTION BOX, ALL WIRES CONNECTED.
2. WIRE CONDUCTOR SIZES 18-24AWG (SOLID OR STRANDED).  
MAXIMUM INSULATION 2.100MM DIAMETER.
3. INSULATION MATERIAL: NYLON 6, GLASS FILLED, UL94 V-0, COLOR REFER TO PAGE 21.
4. CONTACT MATERIAL: FIXED CONTACT: TIN PLATED COPPER ALLOY.  
FLEXING CONTACT: STAINLESS STEEL.
5. PACKING IN BAGS, 1000 PIECES PER BAG.
6. FOR FURTHER DETAILS REFER TO SPECIFICATION 201-01-171 AND APPLICATION NOTES 201-01-172.
7. UL APPROVED, UL FILE REFERENCE E90723 (US AND CANADA).

# Reduced Thru Wire Connector 18-24 AWG: WTW

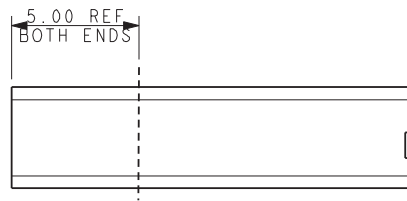
9286-200

## POKE HOME – JUNCTION BOX WIRE TRIM

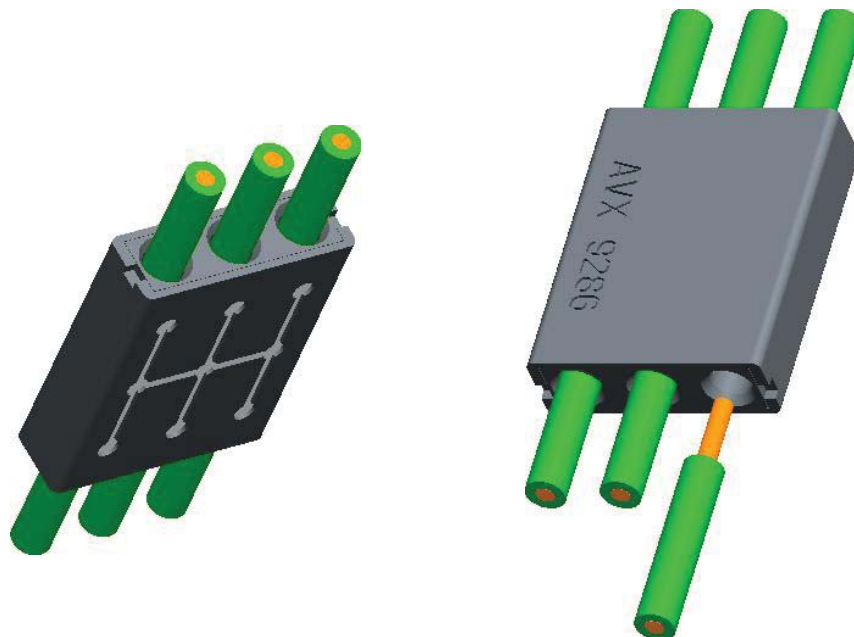


Insulation Diameter	Wire Trim Length X
Up to 2.10 Diameter	$4.00 \pm 0.50$
Above 2.10mm Diameter See Application Notes 201-01-172	$7.00 \pm 0.50$

## REST POSITION OF CONTACT TIP

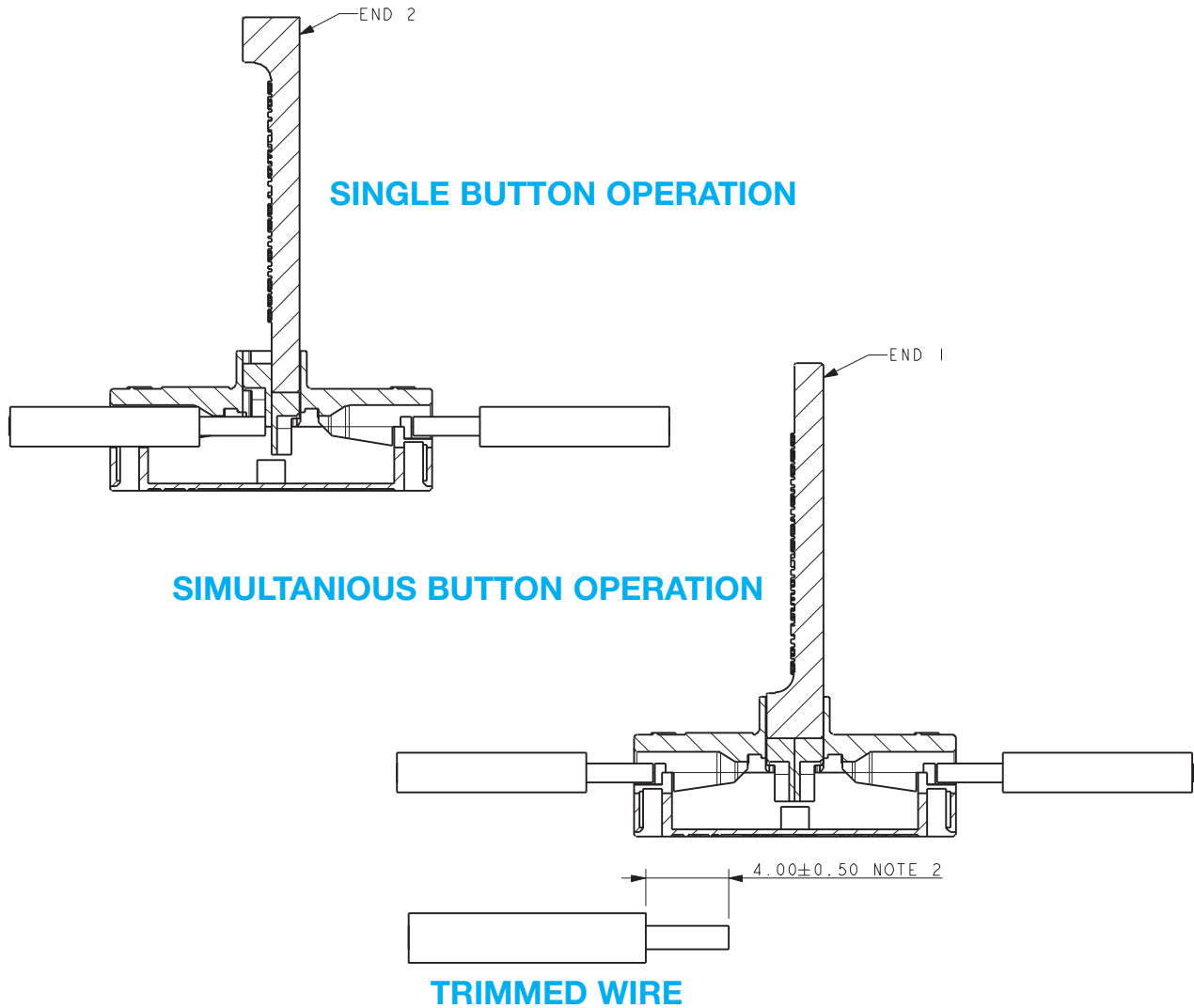


## POKE HOME – THRU WIRE ASSEMBLY

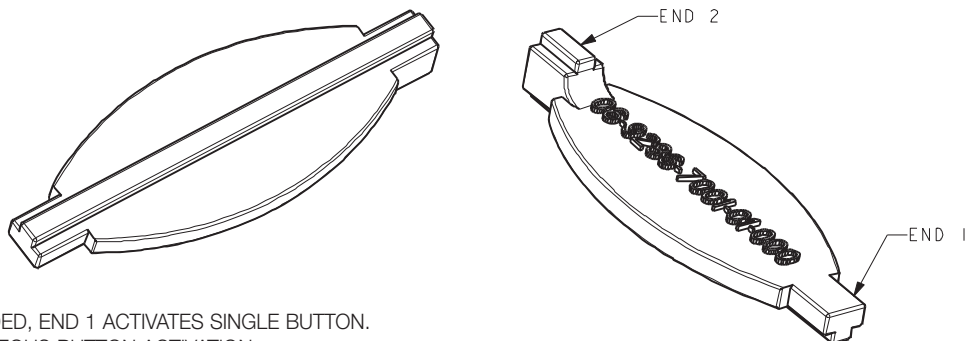


FOR FULL ASSEMBLY DETAILS REFER TO APPLICATION NOTE 201-01-172

## POKE-HOME BUTTON ACTIVATION TOOL



## 9286 BUTTON ACTIVATION TOOL 06-9286-7001-01-000



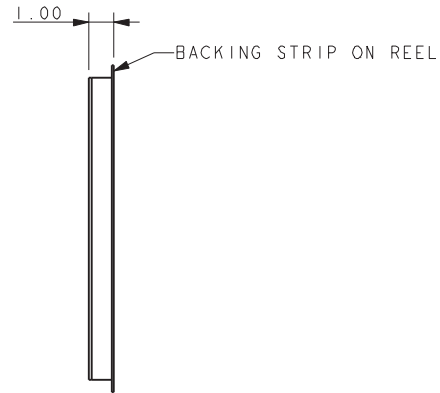
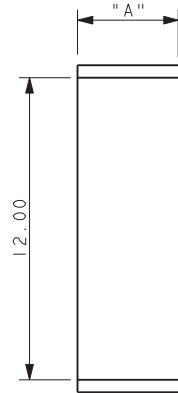
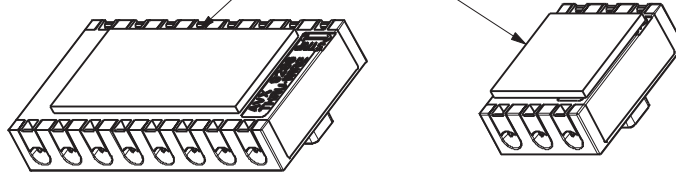
**NOTES:**

1. TOOL IS DOUBLE ENDED, END 1 ACTIVATES SINGLE BUTTON.  
END 2 FOR SIMULTANEOUS BUTTON ACTIVATION.
2. WIRE WHEN TRIMMED TO BE STRAIGHT WITH NO BURRS.
3. FOR FULL ASSEMBLY DETAILS REFER TO APPLICATION NOTES 201-01-135.
4. SUPPLIED IN PACKS OF 100 PIECES.

## 08-9286-400X-00-000 ADHESIVE MOUNTING TAPE

ACCESSORY NOT SUPPLIED WITH CONNECTORS

TAPE APPLIED TO CENTRE OF BASE



Part Number	Dimension "A"	Matching Connectors	
		00-9286-00X-021-X06 Thru Wire	00-9286-00X-121-X06 Junction Box
80-9286-4001-00-000	4.00	1 Way	N/A
80-9286-4002-00-000	8.00	2 Way	4 Way
80-9286-4003-00-000	12.00	3 and 4 Way	6 and 8 Way
80-9286-4006-00-000	24.00	6 and 8 Way	N/A

NOTES:

1. DOUBLE SIDED FOAM FILLED ADHESIVE TAPE.
2. WIDTH FOR 1 WAY, 2 WAY, 3 WAY AND 6 WAY CONNECTORS, FOR LENGTH SEE TABLE.
3. USED FOR ADHERE A 9286 CONNECTOR TO A FLAT SURFACE.
4. SOME SURFACES MAY REQUIRE THE USE OF A CLEANING SOLVENT TO ACHIEVE BEST RESULTS.
5. SUPPLIED CUT TO SIZE ON A REEL ON AN OVERSIZE BACKING STRIP PARTS 400 PER REEL.

## AMERICAS

AVX Greenville, SC  
Tel: 864-967-2150

## EUROPE

AVX Limited, England  
Tel: +44-1252-770000

AVX S.A.S., France  
Tel: +33-1-69-18-46-00

AVX GmbH, Germany  
Tel: +49-0811-95949-0

AVX SRL, Italy  
Tel: +39-02-614-571

AVX Czech Republic  
Tel: +420-57-57-57-521

AVX/ELCO UK  
Tel: +44-1638-675000

ELCO Europe GmbH  
Tel: +49-2741-299-0

AVX S.A., Spain  
Tel: +34-91-63-97-197

AVX Benelux  
Tel: +31-187-489-337

## ASIA-PACIFIC

AVX/Kyocera (S) Pte Ltd.,  
Singapore  
Tel: +65-6286-7555

AVX/Kyocera, Asia, Ltd.,  
Hong Kong  
Tel: +852-2363-3303

AVX/Kyocera Yuhan Hoesa,  
South Korea  
Tel: +82-2785-6504

AVX/Kyocera HK Ltd.,  
Taiwan  
Tel: +886-2-2656-0258

AVX/Kyocera (M) Sdn Bhd,  
Malaysia  
Tel: +60-4228-1190

AVX/Kyocera International  
Trading Co. Ltd.,  
Shanghai  
Tel: +86-21-3255 1933

AVX/Kyocera Asia Ltd.,  
Shenzen  
Tel: +86-755-3336-0615

AVX/Kyocera International  
Trading Co. Ltd.,  
Beijing  
Tel: +86-10-6588-3528

AVX/Kyocera India  
Liaison Office  
Tel: +91-80-6450-0715

## ASIA-KED

(KYOCERA Electronic Devices)

KED Hong Kong Ltd.  
Tel: +852-2305-1080/1223

KED Hong Kong Ltd.  
Shenzen  
Tel: +86-755-3398-9600

KED Company Ltd.  
Shanghai  
Tel: +86-21-3255-1833

KED Hong Kong Ltd.  
Beijing  
Tel: +86-10-5869-4655

KED Taiwan Ltd.  
Tel: +886-2-2950-0268

KED Korea Yuhan Hoesa,  
South Korea  
Tel: +82-2-783-3604/6126

KED (S) Pte Ltd.  
Singapore  
Tel: +65-6509-0328

Kyocera Corporation  
Japan  
Tel: +81-75-604-3449

### Contact:

