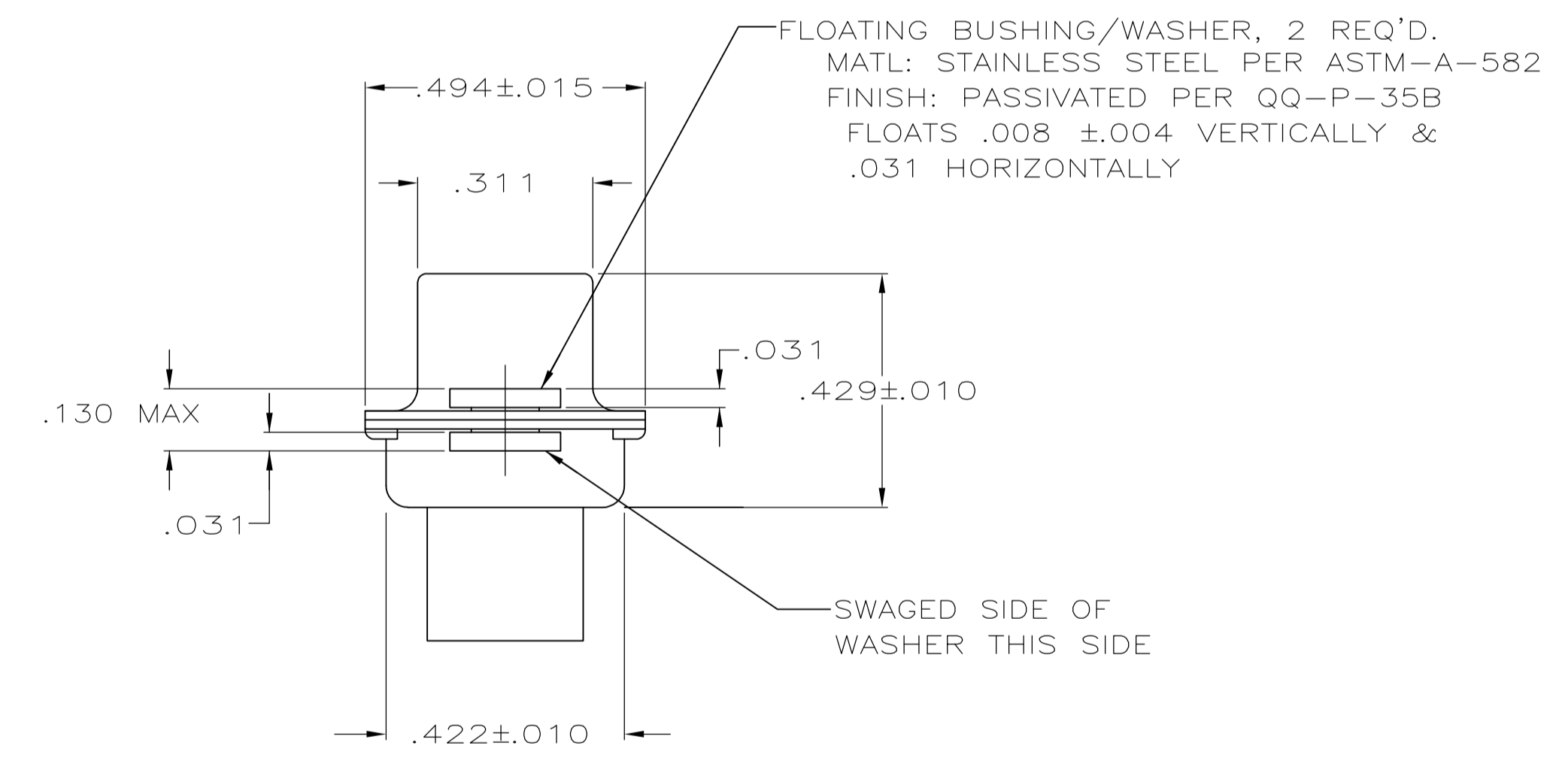
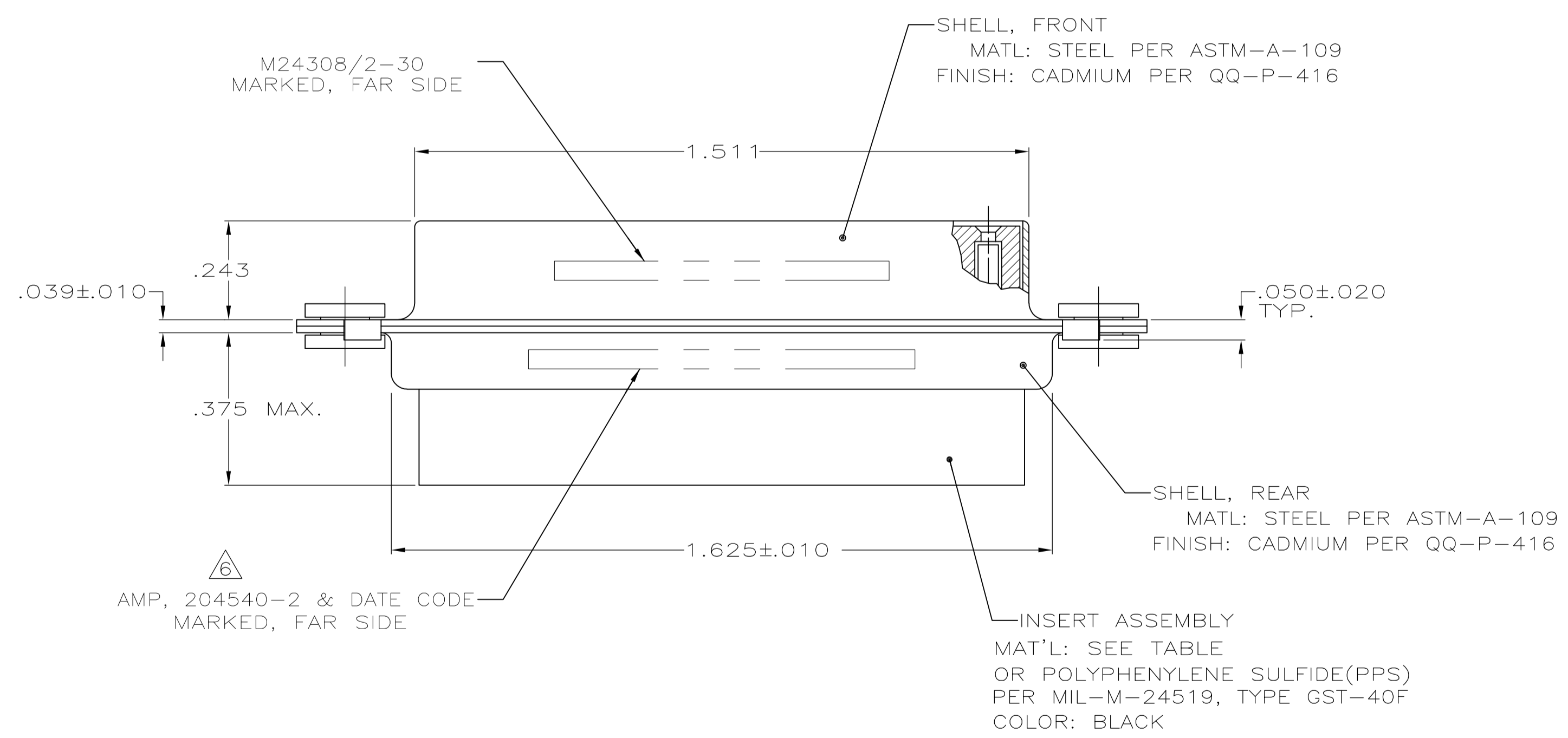
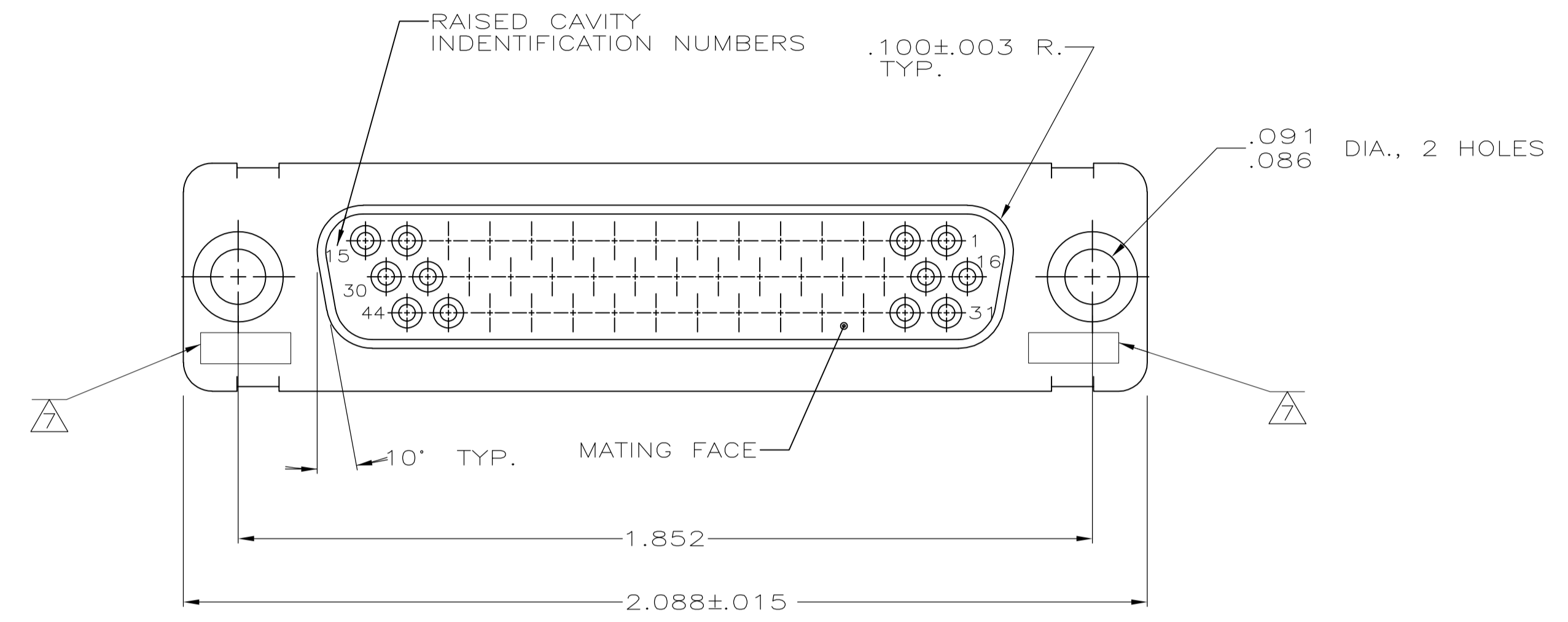


LOC		DIST		REVISIONS			
P	LTR	DESCRIPTION	DATE	DWN	APVD		
N		REV PER ECO-08-019991	22OCT08	PK	BW		



1. THIS RCPT. IS DESIGNED TO CONFORM TO THE LATEST ISSUE OF MIL-C-24308
  2. MAX WIRE INSUL TO BE USED WITH THIS RCPT IS  $.054$  DIA
  3. METAL RETENTION CLIPS ARE INCLUDED IN INSERTS
  4. PACKAGE MARKED M 24308/2-299F
  5. THIS RCPT. WILL ACCEPT SIZE 22 SOCKET CONTACT M 24308/12 OR AMP # 204351
- AMP PART NO. MARKED ON CONNECTOR REPRESENTS KIT NUMBER WITH CONTACTS  
 UL/CSA DESIGNATION MARKED IN THIS AREA, OPTIONAL

OBSELETE	PHENOLIC, COLOR: BLACK	204528-2
	POLYPHENYLENE SULFIDE (PPS) GST-40F PER MIL-M-24519 OR CLASS FILLED POLYESTER TPES013G30 PER ASTM D5927 COLOR, BLACK	204528-1
	INSERT MATERIAL	PART NO.

THIS DRAWING IS A CONTROLLED DOCUMENT.

DIMENSIONS: INCHES	TOLERANCES UNLESS OTHERWISE SPECIFIED:	DWN: C.C.THOMAS 12-3-87	CHK: F.C.BALLEW 1-25-88	APVD: DJM 1-25-88	NAME: Tyco Electronics Corporation Harrisburg, PA 17105-3608
0 PLC ± -	1 PLC ± -	2 PLC ± -	3 PLC ± .005	4 PLC ± -	PRODUCT SPEC
MATERIAL: SEE CALLOUTS				FINISH: SEE CALLOUTS	APPLICATION SPEC
MATERIAL: SEE CALLOUTS				FINISH: SEE CALLOUTS	RESTRICTED TO
CUSTOMER DRAWING				SCALE: 4:1	SHEET 1 OF 1

SIZE: A1  
 CAGE CODE: 00779  
 DRAWING NO: 204528  
 REV: N