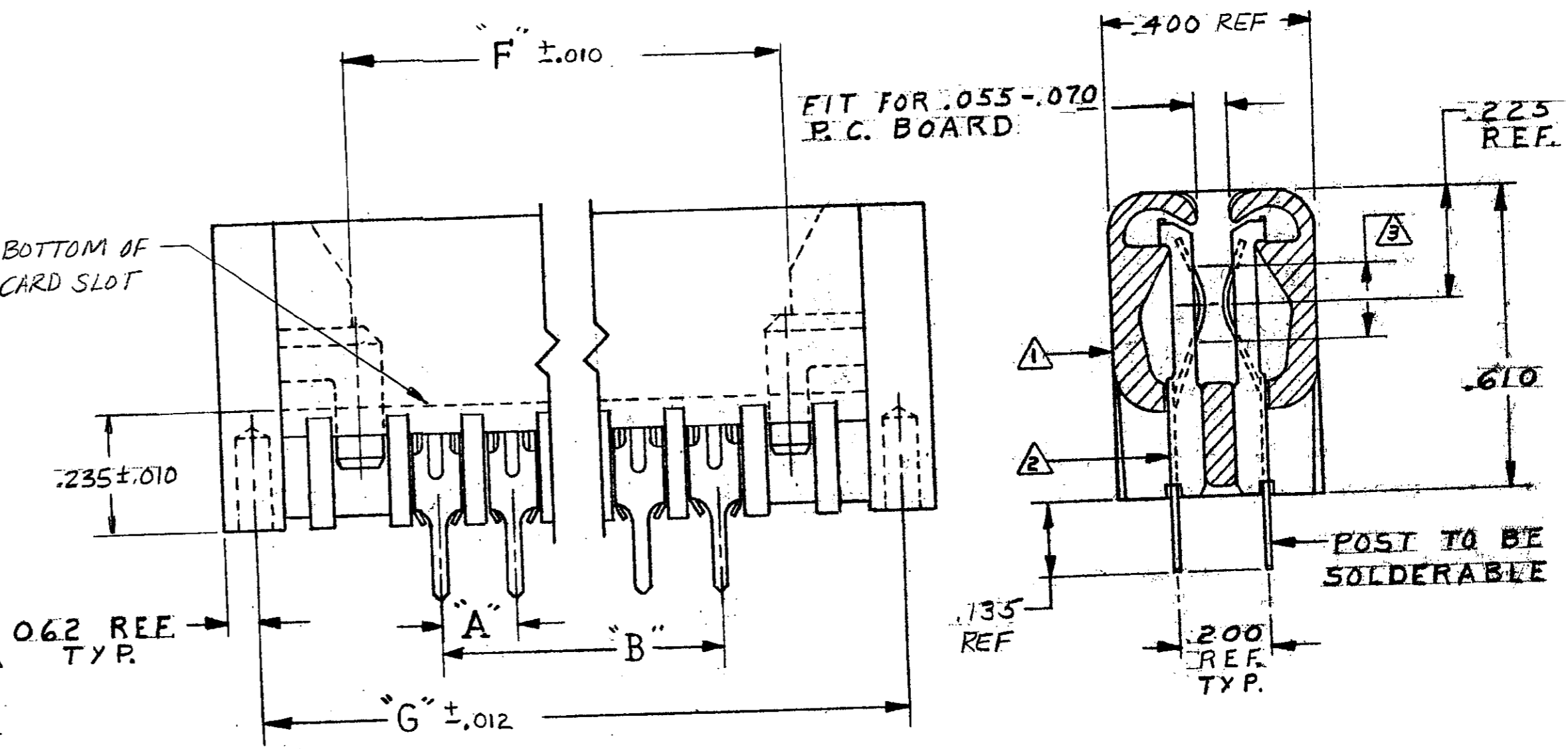


REVISIONS				
ZONE	LTR	DESCRIPTION	DATE	APPROVED
	Y	REV PER OG3C-0166-02	25JUN02	MM
	Y1	REVISED PER -ECO-09-026444	27NOV09	KK AEG

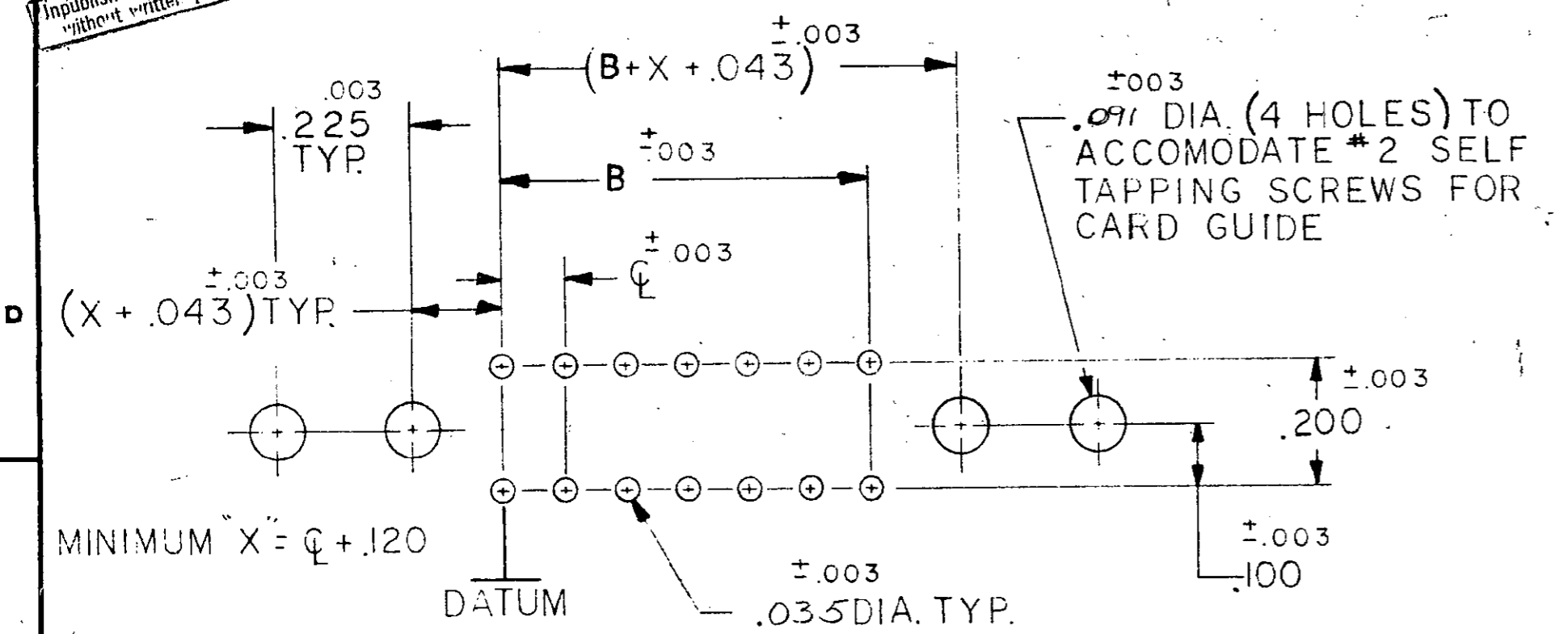
PART NO	NO. OF POS.	A	B	F	G
583660-1	36	.156	5.460	5.772	6.248
-2	15		2.184	2.496	2.942
-3	3		.312	.624	1.070
-4	4		.468	.780	1.226
-5	5		.624	.936	1.382
-6	6		.780	1.092	1.538
-7	7		.936	1.248	1.694
-8	8		1.092	1.404	1.850
-9	9		1.248	1.560	2.006
1-583660-0	10		1.404	1.716	2.162
-1	11		1.560	1.872	2.318
-2	12		1.716	2.028	2.474
-3	13		1.872	2.184	2.630
-4	14		2.028	2.340	2.786
-5	15		2.340	2.652	3.098
-6	17		2.496	2.808	3.254
-7	18		2.652	2.964	3.410
-8	19		2.808	3.120	3.566
-9	20		2.964	3.276	3.722
2-583660-0	21		3.120	3.432	3.878
-1	22		3.276	3.588	4.034
-2	23		3.432	3.744	4.190
-3	24		3.588	3.900	4.346
-4	25		3.744	4.056	4.502
-5	26		3.900	4.212	4.658
-6	27		4.056	4.368	4.814
-7	28		4.212	4.524	4.970
-8	29		4.368	4.680	5.126
-9	30		4.524	4.836	5.282
3-583660-0	31		4.680	4.992	5.438
-1	32		4.836	5.148	5.594
-2	33		4.992	5.304	5.750
-3	34		5.148	5.460	5.906
-4	35		5.304	5.616	6.062
-5	37		5.616	5.928	6.374
-6	38		5.772	6.084	6.530
-7	39		5.928	6.240	6.686
-8	40		6.084	6.396	6.842
-9	41		6.240	6.552	6.998
4-583660-0	42		6.396	6.708	7.154
-1	43		6.552	6.864	7.310
-2	44		6.708	7.020	7.466
-3	45		6.864	7.176	7.622
-4	46		7.020	7.332	7.778
-5	47		7.176	7.488	7.934
-6	48		7.332	7.644	8.090
-7	49		7.488	7.800	8.246
4-583660-8	50	.156	7.644	7.956	8.402



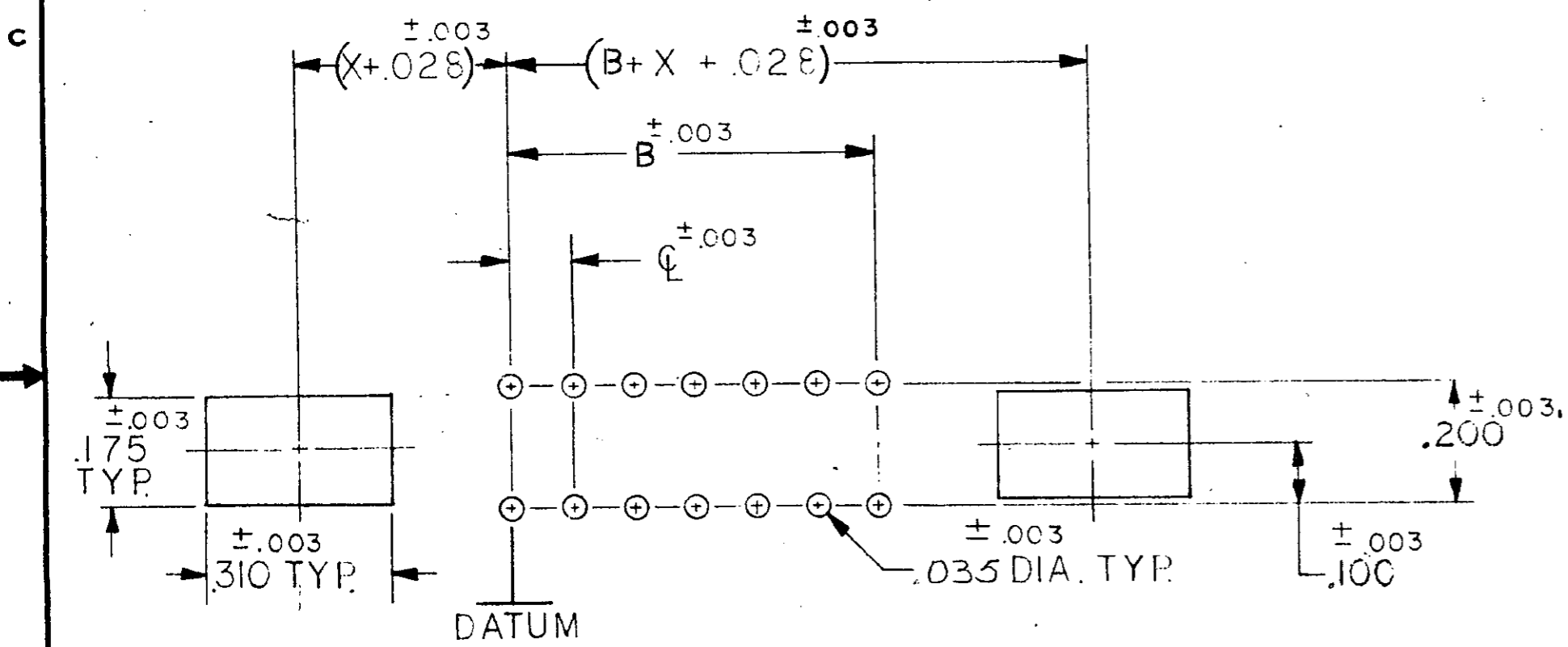
- 1. GLASS FILLED POLYESTER, COLOR-BLACK
- 2. PHOSPHOR BRONZE
- 3. .000015 GOLD, SELECTIVE
- 4. OBSOLETE PARTS: OBSOLETE CIS STREAMLINING PER D.RENAUD/D.SINISI

UNLESS OTHERWISE SPECIFIED, DIMENSIONS ARE IN INCHES TOLERANCES ON DECIMALS ±.005 ANGLES ±	CONTRACT NO.	AMP INCORPORATED HARRISBURG, PENNSYLVANIA	
	DR <i>Quirk</i> 1-30-73	NAME HOUSING ASSEMBLY, TWIN LEAF, .156 Q. .010X.024, SOLDER TYPE POST, END CAP VERSION	
	CHK <i>M. Ziegler</i> 2-5-73	SIZE C	CODE IDENT NO. 00779
	APPD <i>Larry M Brown</i> 2-5-73	NUMBER 583660	SHEET 1 OF 2 SHTS.
MATERIAL SEE CALLOUT	REL <i>R. G. Dunning</i> 3/13/73	SCALE #	CUSTOMER DRAWING
	DSGN APPD		
	OTHER APPD		

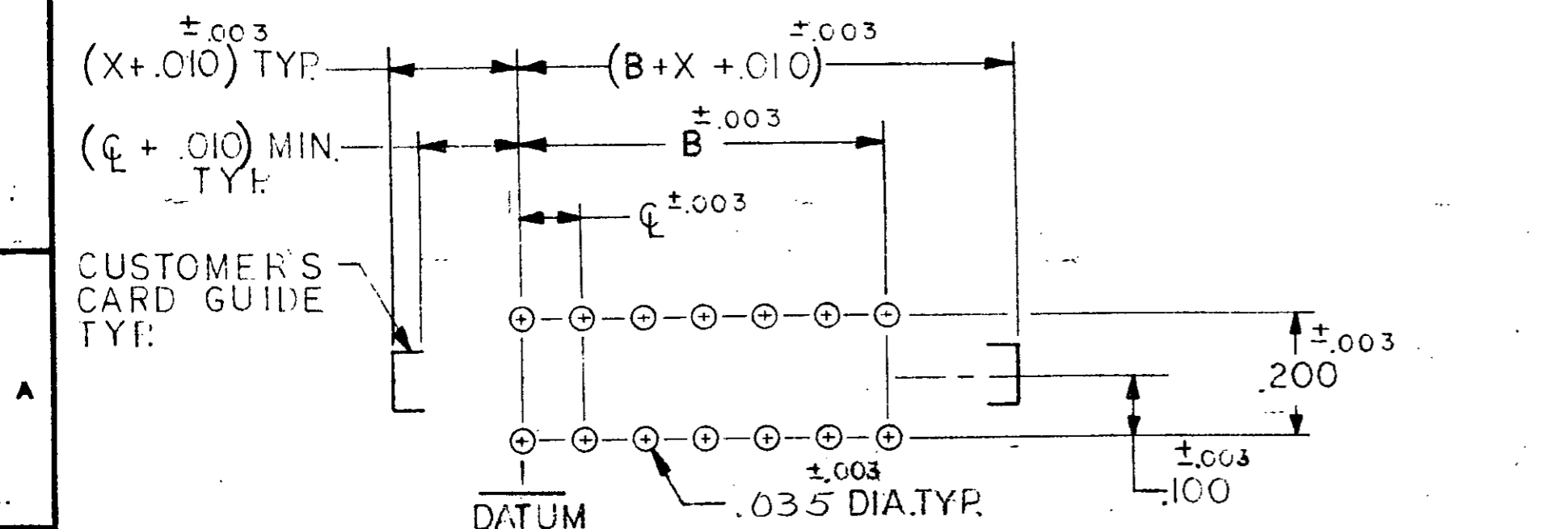
REVISIONS				
ZONE	LTR	DESCRIPTION	DATE	APPROVED
SEE SHEET 1				



BOARD LAYOUT FOR USE WITH AMP CARD GUIDE PART NO. 583671



BOARD LAYOUT FOR USE WITH AMP CARD GUIDE PART NO. 583408 CR 583425

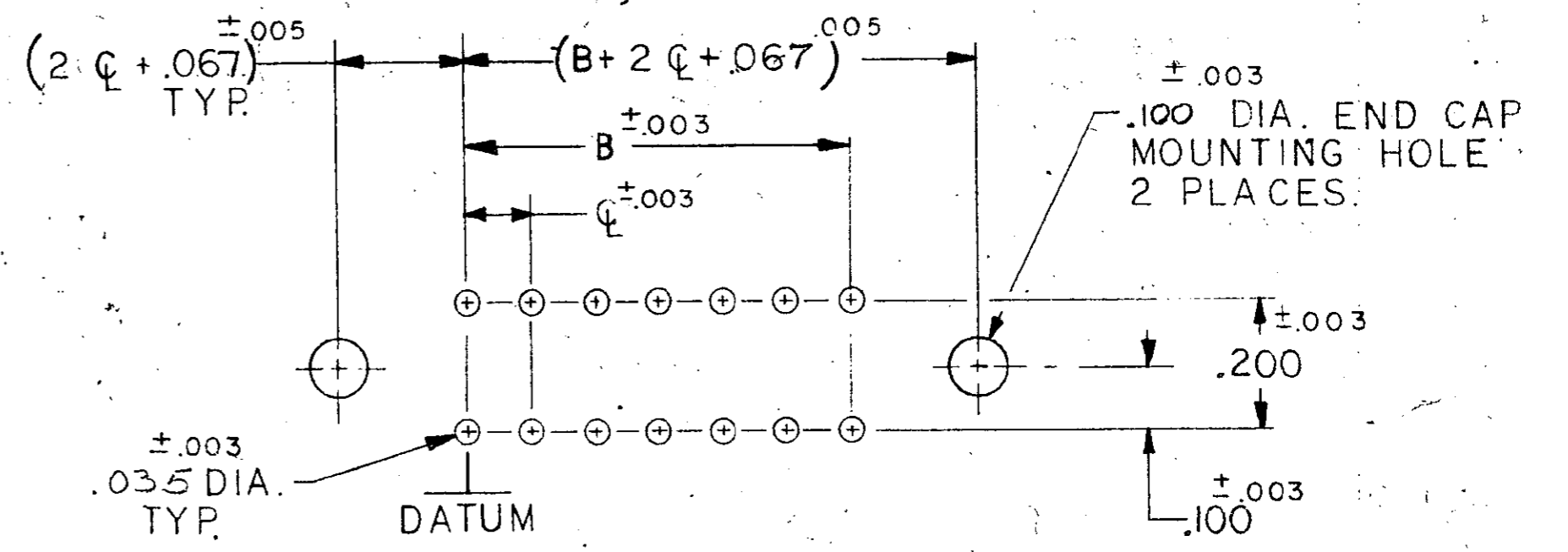


BOARD LAYOUT FOR USE WITH CUSTOMER SUPPLIED CARD GUIDE

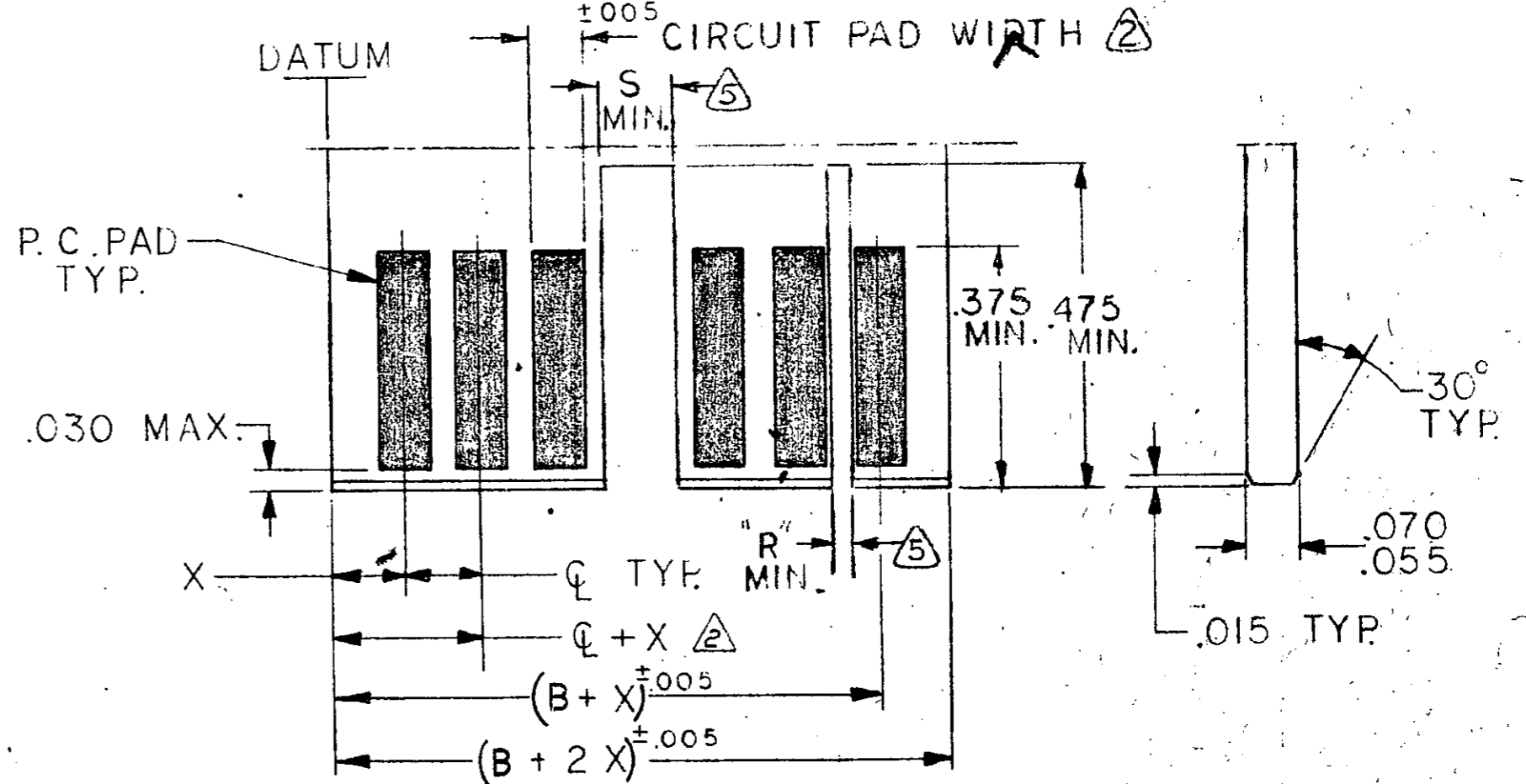
THE SLOT FOR INTER-CONTACT KEYING PLUGS MUST BE CENTERED BETWEEN THE PRINTED CIRCUIT PADS, WHILE THE SLOT FOR ON-CONTACT KEYING PLUGS MUST BE CENTERED ON THE AREA OF A PRINTED CIRCUIT PAD.

INTER-CONTACT KEYING PLUG.	"R" FOR CENTER LINE SPACING	"S" FOR CENTER LINE SPACING
530030-1	.050	.125-.150-.156
530030-2	.040	.100

ON CONTACT KEYING PLUG.	"S" FOR CENTER LINE SPACING
583714-1	.129 .100-.125
583714-2	.160 .150-.156



BOARD LAYOUT FOR USE WITH END CAP



DAUGHTER BOARD LAYOUT

- MAX. ALLOWABLE WARPAGE OF MOTHER BOARD NOT TO EXCEED .005/IN.
- MAX. ALLOWABLE BOW OF DAUGHTER BOARD NOT TO EXCEED .010/IN. THICKNESS OF MOTHER BOARD IS .062 FOR DOUBLE SLOTTED CARD GUIDES AND .104 MAX. FOR ALL OTHER MOUNTING CONDITIONS.
- EACH PAD LOCATION INCREASES BY C ±.005 WITH A NON-CUMULATIVE TOLERANCE OF ±.005.
- CIRCUIT PAD WIDTH - .045 FOR .100 C  
.072 FOR .125 C  
.072 FOR .150 C  
.080 FOR .156 C
- DIMENSIONS APPLY TO BOTH SIDES OF DAUGHTER BOARD.
- INCREMENTS ON MOTHER BOARD HAVE ±.003 NON-CUMULATIVE TOLERANCE.
- X IS A CUSTOMER CONTROLLED DIMENSION EXCEPT FOR END CAP ASSEMBLIES WHERE X = C - .008

UNLESS OTHERWISE SPECIFIED, DIMENSIONS ARE IN INCHES TOLERANCES ON : DECIMALS ±.005 ANGLES ±	CONTRACT NO.	AMP INCORPORATED HARRISBURG, PENNSYLVANIA	
	DR		
MATERIAL	CHK	HOUSING ASSEMBLY TWIN LEAF CONNECTOR .156 CENTERS	
	APPD	SIZE	CODE IDENT NO.
	REL	NUMBER	
	DSGN APPD	C	00779
	OTHER APPD	583660	
		SCALE	#
		SHEET 2 OF 2 SHTS.	