

MATERIALS AND FINISHES

BODY, WASHER, RETAINING RING BRASS
PLATED NICKEL

CENTER CONTACT BRASS
PLATED GOLD

INSULATOR TEFLON

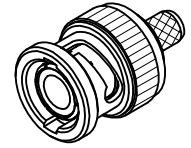
COUPLING NUT ZINC ALLOY
PLATED NICKEL

SPRING WASHER PHOSPHOR BRONZE
PLATED NICKEL

GASKET SILICONE RUBBER

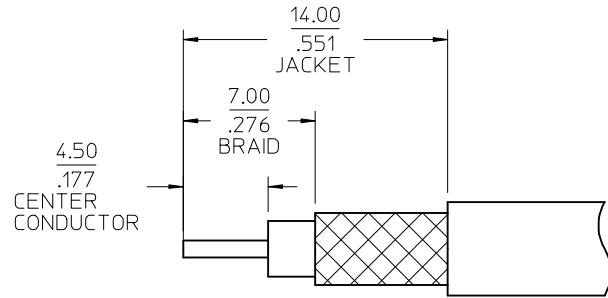
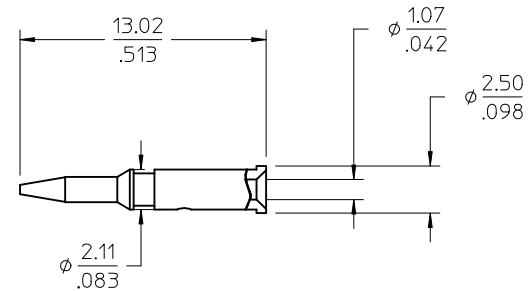
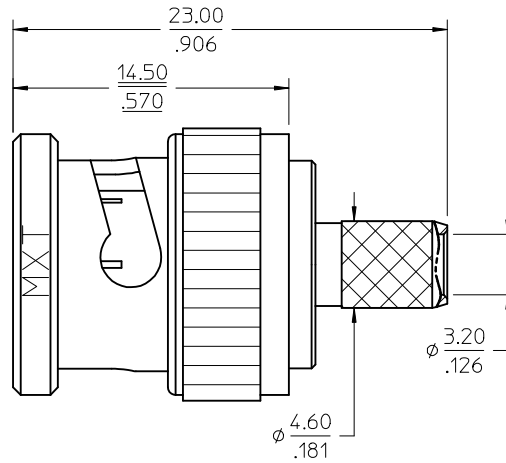
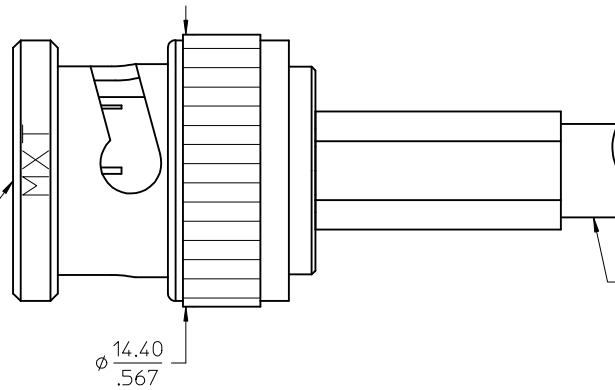
CABLE ATTACHMENT:

INNER CONTACT: SOLDER OR CRIMP USING 4.29 (1.69) HEX
CRIMP TUBE: CRIMP USING 5.41 (.213) HEX

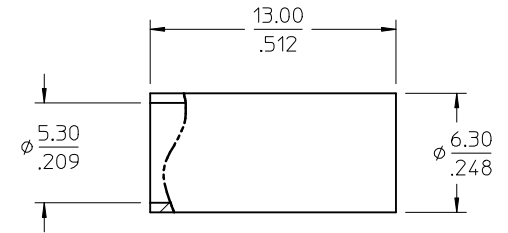


INTERFACE PER
MOLEX STANDARD
ES-73599-0000

RG58/RG141 CABLE



RECOMMENDED STRIP DIMENSION



PS-89675-1030	PRODUCT SPECIFICATION
SPECIFICATION	DESCRIPTION

73171-3170	73174-0093, ONE PER BAG
73174-0093	INDIVIDUAL PLASTIC BAGS
PART NO.	PACKAGING

CHG: CONTACT REAR
HOLE ϕ .042
WAS ϕ .039
DELETE REF FROM
DIMENSIONS
DELETE CABLE
ASSEMBLY SPEC
PS-89675-103 WAS
PS-73598-0024

EC NO: URF2010-0237
DRAWN: WIENER 2009/10/22
CHKD: SHAH 2009/10/22
APPR: WIENER 2009/10/22

QUALITY SYMBOLS

 DESCRIPTION
 REV: C2

GENERAL TOLERANCES (UNLESS SPECIFIED)

	mm	INCH
4 PLACES	\pm .005	\pm .0002
3 PLACES	\pm .003	\pm .0001
2 PLACES	\pm .002	\pm .0001
1 PLACE	\pm .001	\pm .0001

ANGULAR \pm 2°

DRAFT WHERE APPLICABLE
MUST REMAIN
WITHIN DIMENSIONS

DIMENSION STYLE
MM/IN

DRAWN BY DATE
KELLY 1992/06/20

CHECKED BY DATE

APPROVED BY DATE

MATERIAL NO.
SEE TABLE

SIZE
C

SCALE
DESIGN UNITS
METRIC

THIRD ANGLE PROJECTION

TITLE
BNC PLUG, STR FOR RG58,
RG141 CRIMP/CRIMP, 50 OHM
BNC-PC

MOLEX INCORPORATED

DOCUMENT NO.
SD-73174-0093

SHEET NO.
1 OF 1

THIS DRAWING CONTAINS INFORMATION THAT IS PROPRIETARY TO MOLEX
INCORPORATED AND SHOULD NOT BE USED WITHOUT WRITTEN PERMISSION