

4

3

2

1

THIS DRAWING IS UNPUBLISHED.

RELEASED FOR PUBLICATION

20

© COPYRIGHT

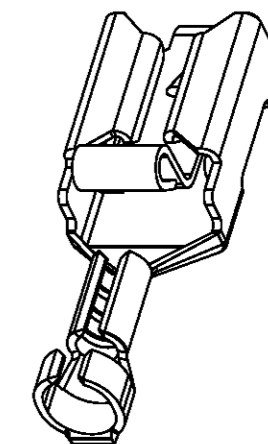
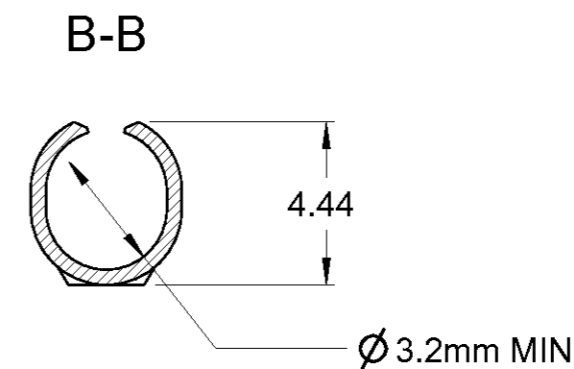
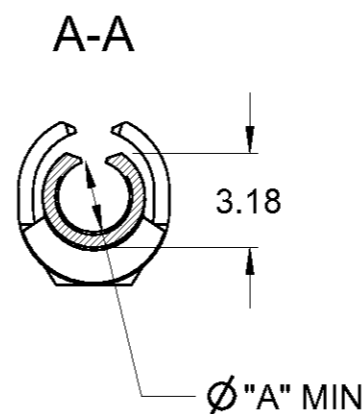
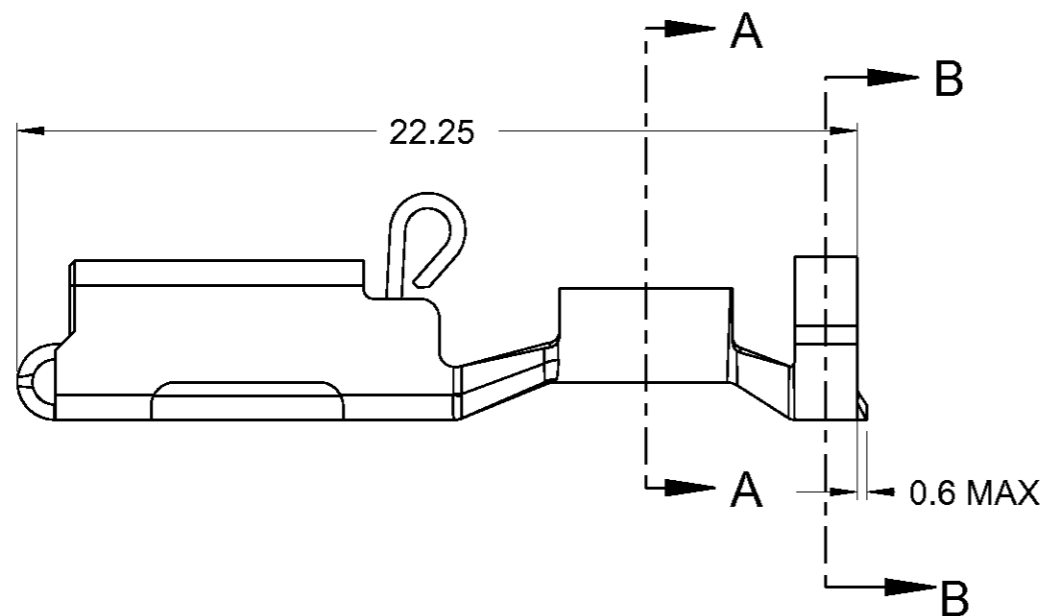
BY TYCO ELECTRONICS CORPORATION.

ALL INTERNATIONAL RIGHTS RESERVED.

LOC B DIST E

REVISIONS

P	LTR	DESCRIPTION	DATE	DWN	APVD
	A	ECR-09-021480	29/09/09	MJG	JA
	B	ECR-10-006691	05/01/10	MJG	JA
	B1	ECR-10-022530	27MAY11	KK	HMR



NOTES

1. ALL OTHER DIMENSIONS FROM DWG 154718
2. WIRE SIZE: 0.7 - 2.0mm<sup>2</sup>
3. INSULATION RANGE:  $\phi$  2.4 - 3.2mm
4. RECOMMENDED HAND TOOL: 525651
5. CONTACT TO BE USED WITH A 0.8mm THICK TAB

△ PART TO CONFORM TO KTU 1177

OBSOLETE

2.16	NONE	BRASS	341002-8 <sup>△</sup> <sub>6</sub>
1.9	PRE-TIN	Ph Bz	341002-7
1.9	PRE-TIN	BRASS	341002-6
1.9	NONE	Ph Bz	341002-5
1.9	TIN	BRASS	341002-3
1.9	NONE	Ph Bz	<del>341002-2</del>
1.9	NONE	BRASS	341002-1
$\phi$ "A" mm	FINISH	MATERIAL	PART NO

THIS DRAWING IS A CONTROLLED DOCUMENT FOR TYCO ELECTRONICS CORPORATION. IT IS SUBJECT TO CHANGE AND THE CONTROLLING ENGINEERING ORGANIZATION SHOULD BE CONTACTED FOR THE LATEST REVISION.

DIMENSIONS:		TOLERANCES UNLESS OTHERWISE SPECIFIED:	
mm			
		0 PLC	±0.5
		1 PLC	±0.2
		2 PLC	±0.2
		3 PLC	±0.1
		4 PLC ANGLES	±
MATERIAL	SEE TABLE	FINISH	-

DWN	29SEP2009
M.GREENER	
CHK	29SEP2009
J.AMBROSE	
APVD	29SEP2009
J.AMBROSE	
PRODUCT SPEC	108-3017
APPLICATION SPEC	114-2153
WEIGHT	-
CUSTOMER DRAWING	

		TE Connectivity	
NAME			
POSITIVE LOCK RECEPTACLE PRE-FORMED LOOSE PIECE			
SIZE	CAGE CODE	DRAWING NO	RESTRICTED TO
A3	00779	C-341002	-
SCALE		SHEET	REV
NTS		1 OF 1	B1