

REVISION K

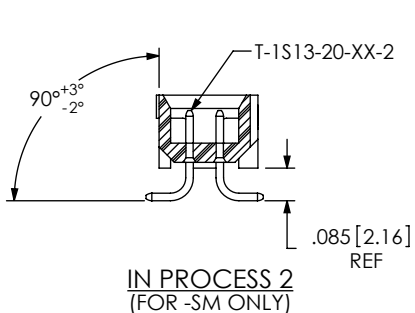
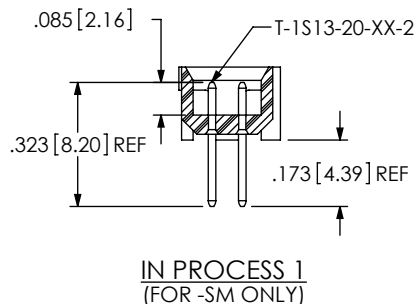
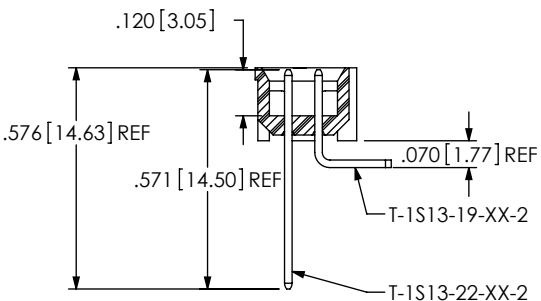
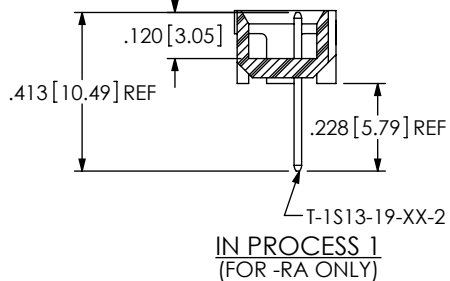


FIG 2
ETMM-115-02-X-D-RA SHOWN
(DIFFERENT AS SHOWN, OTHERWISE SAME AS FIG 1)

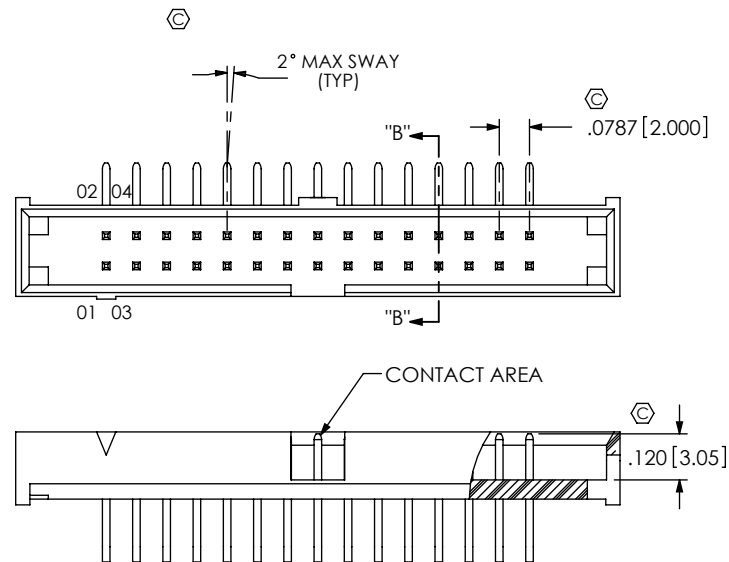
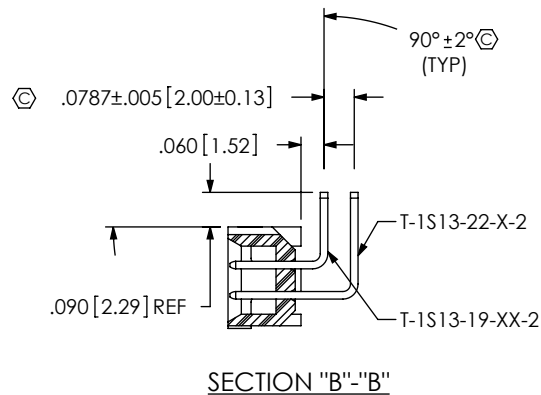


FIG 3
ETMM-115-02-X-D-SM-LC SHOWN
(DIFFERENT AS SHOWN, OTHERWISE SAME AS FIG 1)

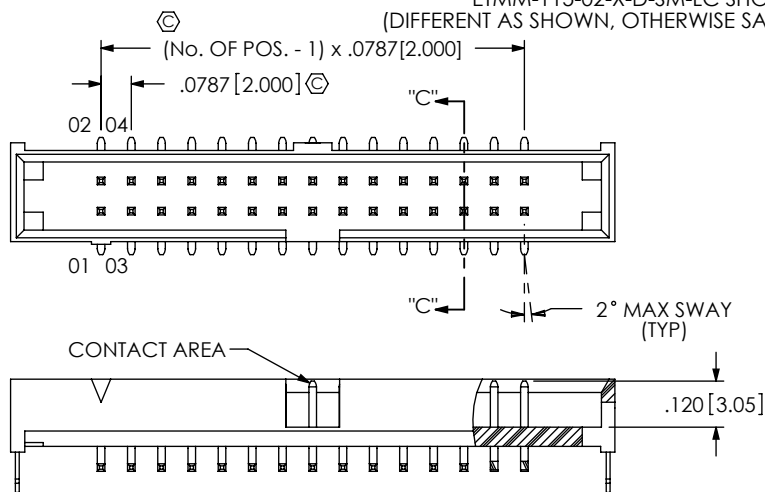
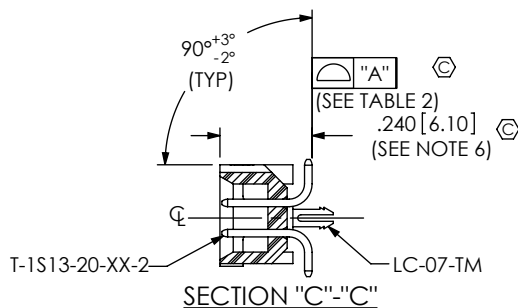
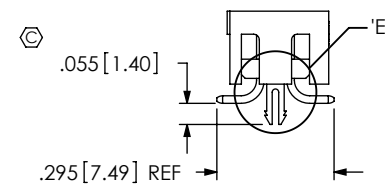
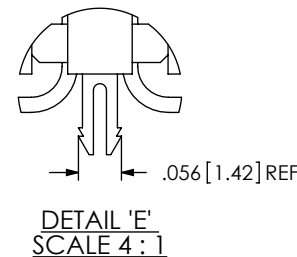


TABLE 2	
No OF POSITIONS	COPLANARITY "A"
2 - 19	.004 [0.10]
20 - 25	.005 [0.13]



PROPRIETARY NOTE
THIS DOCUMENT CONTAINS CONFIDENTIAL AND PROPRIETARY INFORMATION AND ALL DESIGN, MANUFACTURING, REPRODUCTION, USE, PATENT RIGHTS AND SALES RIGHTS ARE EXPRESSLY RESERVED BY SAMTEC, INC. THIS DOCUMENT SHALL NOT BE DISCLOSED, IN WHOLE OR PART, TO ANY UNAUTHORIZED PERSON OR ENTITY NOR REPRODUCED, TRANSFERRED OR INCORPORATED IN ANY OTHER PROJECT IN ANY MANNER WITHOUT THE EXPRESS WRITTEN CONSENT OF SAMTEC, INC.

DO NOT SCALE DRAWING

SHEET SCALE: 2:1

samtec

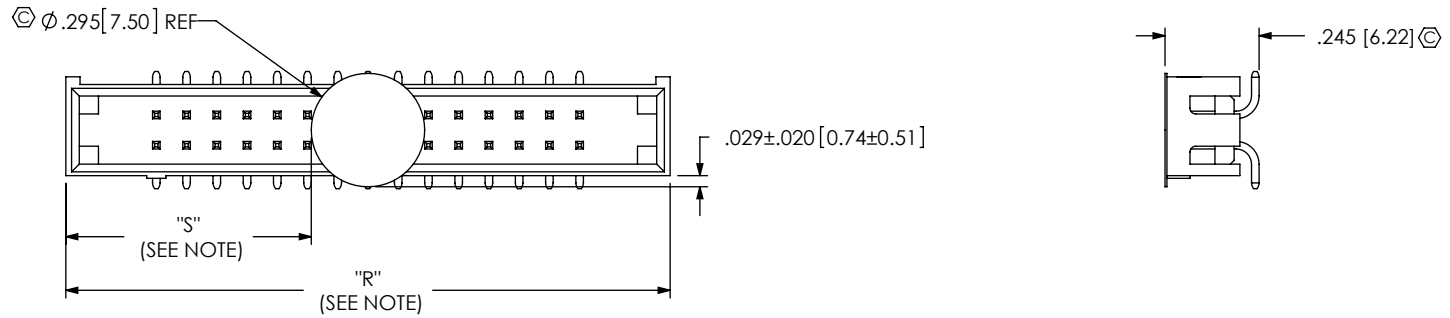
520 PARK EAST BLVD, NEW ALBANY, IN 47150
PHONE: 812-944-6733 FAX: 812-948-5047
e-Mail: info@SAMTEC.com code: 55322

DESCRIPTION:
2MM SHROUDED TERMINAL STRIP

DWG. NO.
ETMM-1XX-02-X-D-XX-XX

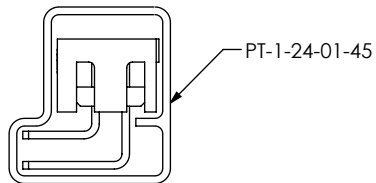
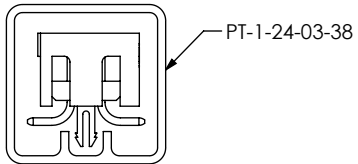
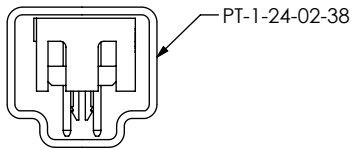
BY: T.NEWTON 12/17/2007 SHEET 2 OF 3

FIG 4
ETMM-115-02-X-D-SM-K SHOWN
(DIFFERENT AS SHOWN OTHERWISE SAME AS FIG 1)



NOTE: "R" = USED MEASURED DIMENSION (REF)
"S" = $\{ ("R" - .2953[7.50]) / 2 \} \pm .020[0.51]$

PACKAGING
ALL PARTS ARE LOADED WITH POSITION 1
TOWARD ARROW EXCEPT -RA OPTION



NOTE: ALL POSITIONS ARE TO BE TUBED.

TABLE 1

OPTIONS	PACKAGING TUBE	PLUG
-TH, -TH-LC	PT-1-24-02-38	TP-03
-SM, -SM-LC	PT-1-24-03-38	TP-03
-RA	PT-1-24-01-45	TP-07

PROPRIETARY NOTE

THIS DOCUMENT CONTAINS CONFIDENTIAL AND PROPRIETARY INFORMATION AND ALL DESIGN, MANUFACTURING, REPRODUCTION, USE, PATENT RIGHTS AND SALES RIGHTS ARE EXPRESSLY RESERVED BY SAMTEC, INC. THIS DOCUMENT SHALL NOT BE DISCLOSED, IN WHOLE OR PART, TO ANY UNAUTHORIZED PERSON OR ENTITY NOR REPRODUCED, TRANSFERRED OR INCORPORATED IN ANY OTHER PROJECT IN ANY MANNER WITHOUT THE EXPRESS WRITTEN CONSENT OF SAMTEC, INC.

DO NOT SCALE DRAWING

SHEET SCALE: 2:1



520 PARK EAST BLVD, NEW ALBANY, IN 47150
PHONE: 812-944-6733 FAX: 812-948-5047
e-Mail: info@SAMTEC.com code: 55322

DESCRIPTION:
2MM SHROUDED TERMINAL STRIP

DWG. NO.
ETMM-1XX-02-X-D-XX-XX

BY: T.NEWTON 12/17/2007 SHEET 3 OF 3