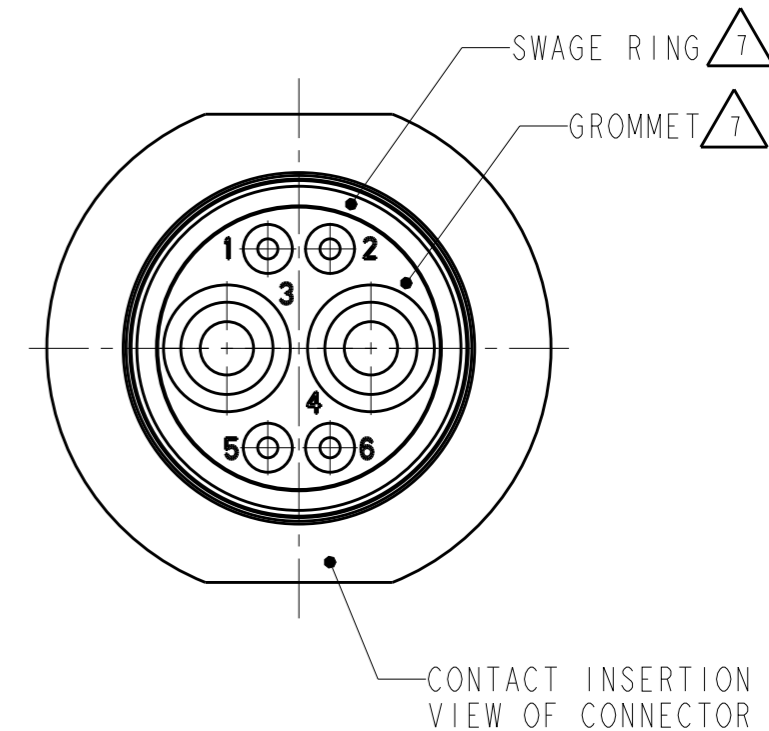
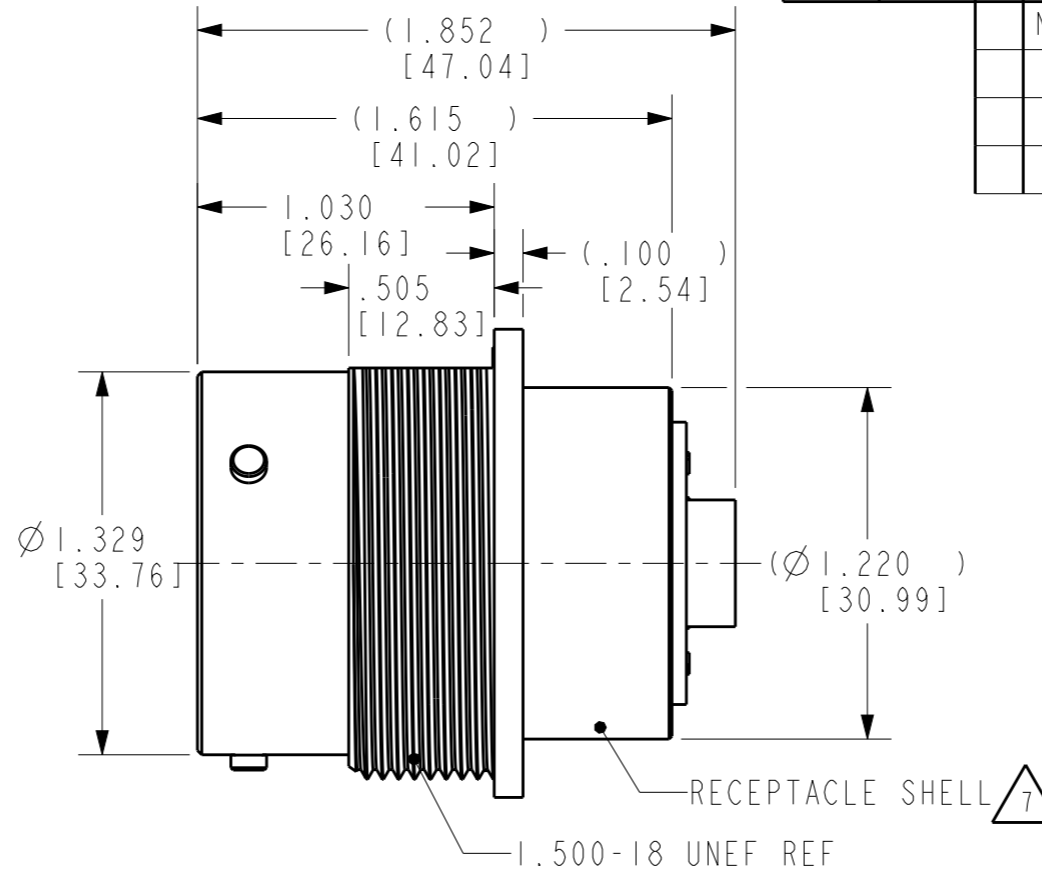
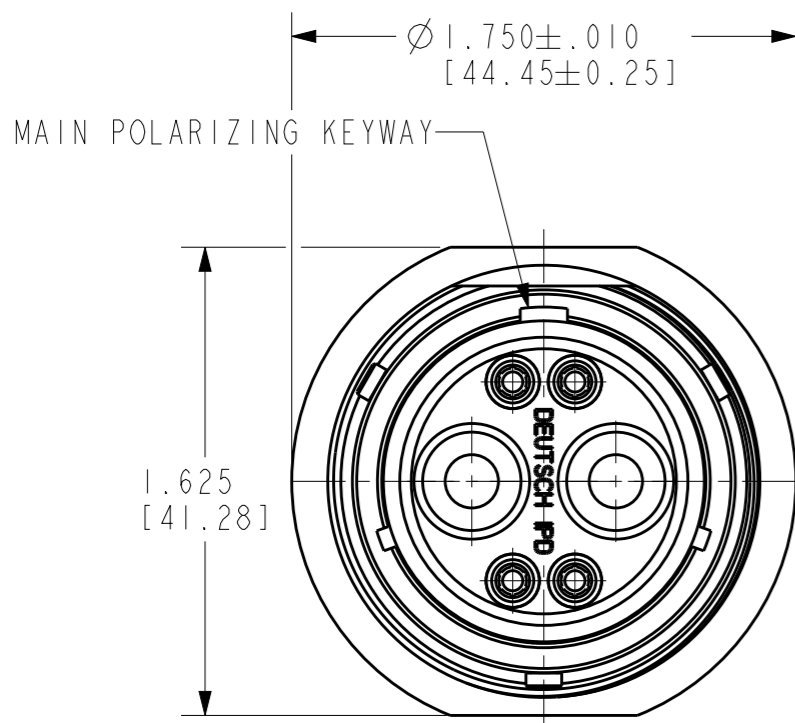


LOC	DIST	REVISIONS				
P	LTR	DESCRIPTION	DATE	DWN	APVD	
-	-	NC	NEW RELEASE PER E.O. PI9718	21FEB2008	-	RDR
-	-	A	REVISED PER ECO-15-001798	19MAR2015	VNB	DM



7. MATERIAL:
 RECEPTACLE HOUSING: AL 6000 SERIES
 SWAGE RING: PA 15%GF (GREEN FOR N-SEAL, BLUE FOR E-SEAL)
 GROMMET: SILICONE VMQ (RED)

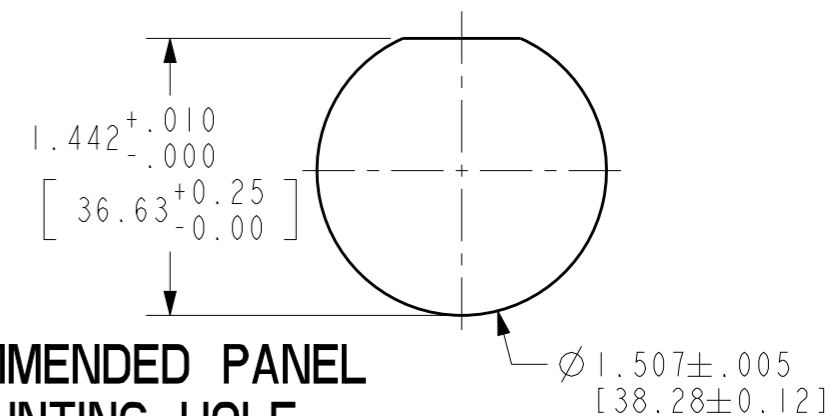
5. WHEN X = N: NORMAL SEAL WHEN X = E: REDUCED DIAMETER E-SEAL.

4. THIS PART MATES WITH PART NO. HD36-18-6PX-XXXX.
 XXXX= ALL MODIFICATIONS, X= TYPE OF SEAL.

3. RECOMMENDED PANEL THICKNESS: .062 [1.58] TO .1875 [4.76].

2. THIS CONNECTOR WILL ACCOMODATE THE FOLLOWING WIRE INSULATION DIAMETERS:

5 SEAL TYPE	CONTACT SIZE	MIN INSULATION O.D.	MAX INSULATION O.D.	6 WIRE GAUGE AWG [mm ²] RANGE
N	16	.100 [2.54]	.134 [3.40]	14-20 [2.0-0.5mm ²]
E	16	.053 [1.35]	.120 [3.05]	14-20 [2.0-0.5mm ²]
N or E	4	.261 [6.63]	.292 [7.42]	6 [13mm ²]



RECOMMENDED PANEL MOUNTING HOLE

1. CONSULT FACTORY FOR ELECTRICAL AND MATERIAL SPECIFICATIONS.

NOTES:

THIS DRAWING IS A CONTROLLED DOCUMENT.		DWN 02 JAN 2008 I. GRANTCHAROVA			
DIMENSIONS: INCHES [mm]		CHK 18 FEB 2008 B. BAYFORD			
TOLERANCES UNLESS OTHERWISE SPECIFIED:		APVD 14 FEB 2008 S. BEARD		NAME RECEPTACLE CONNECTOR 18-6 ARR. BAYONET COUPLING	
0 PLC ±-		PRODUCT SPEC 0425-016-0000		SIZE A3	
1 PLC ±-		APPLICATION SPEC 0425-015-0000		CAGE CODE -	
2 PLC ±-		WEIGHT 50.35g		DRAWING NO C=HD34-18-6SX	
3 PLC ±.010 [±.254]		Customer Drawing		RESTRICTED TO -	
4 PLC ±-		SCALE NONE		SHEET 1 OF 1	
ANGLES ±° 30' 0"		REV A			
FINISH -					