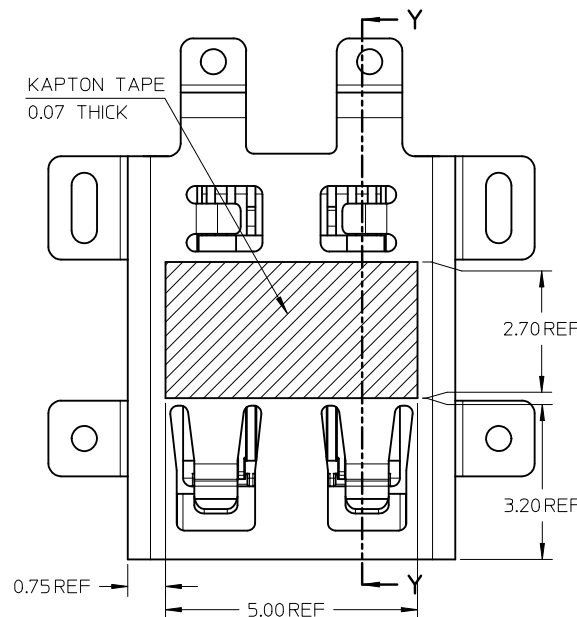
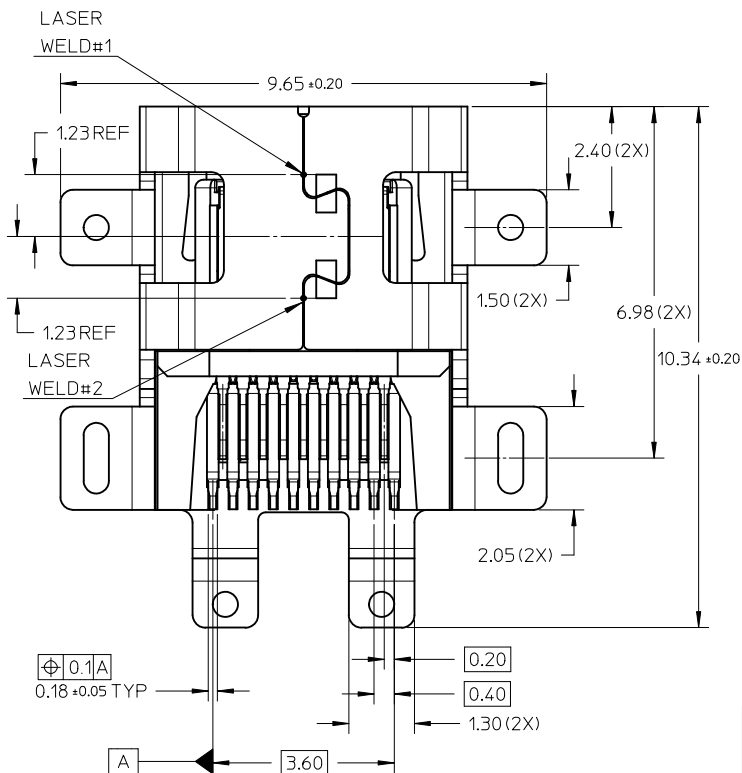


SECTION Y-Y



NOTES:

1. MATERIALS:

- HOUSING: LCP, 30% GLASS FILLED, UL94V-0
- TERMINALS: COPPER ALLOY
- SHIELD: STAINLESS STEEL

2. FINISHES:

- TERMINALS: GOLD ON CONTACT AREA (Refer Table), 0.05UM MIN GOLD FLASH ON SOLDER TAILS, AND 2.0UM MIN NICKEL UNDERPLATE OVERALL
- SHIELD: MATTE TIN (Refer Table) OVER 1.27UM MIN NICKEL

3. PRODUCT SPECIFICATION: PS-46765-001

4. PACKAGING SPECIFICATION: PACKED IN TAPE & REEL

5. SEE SHEET 4 OF 5 FOR RECOMMENDED PCB LAYOUT

6. TERMINAL SOLDER-TAIL COPLANARITY 0.08 MAX

	Contact: 0.76µM Gold Min Shield: 3.8µM Tin Min	Contact: 0.38µM Gold Min Shield: 2.0µM Tin Min
MOUNTING TYPE	PART NUMBER	PART NUMBER
ASSEMBLY+KAPTON TAPE	46875-3001	46875-3301
ASSEMBLY	46875-3011	46875-3311

REVISED EC NO: S2011-0822 DRWN:KSSHANTHA 2011/03/29 CHKD:JESSIECHUA 2011/03/30 APPR:NAGESHKIN 2011/03/30	QUALITY SYMBOLS	GENERAL TOLERANCES (UNLESS SPECIFIED)	DIMENSION STYLE	SCALE	DESIGN UNITS	THIRD ANGLE PROJECTION															
	$\nabla_A = 0$ $\nabla_C = 0$ $\nabla_B = 0$	<table border="1"> <tr> <th></th> <th>mm</th> <th>INCH</th> </tr> <tr> <td>4 PLACES</td> <td>± ---</td> <td>± ---</td> </tr> <tr> <td>3 PLACES</td> <td>± ---</td> <td>± ---</td> </tr> <tr> <td>2 PLACES</td> <td>± 0.10</td> <td>± ---</td> </tr> <tr> <td>1 PLACE</td> <td>± ---</td> <td>± ---</td> </tr> </table>		mm	INCH	4 PLACES	± ---	± ---	3 PLACES	± ---	± ---	2 PLACES	± 0.10	± ---	1 PLACE	± ---	± ---	MM ONLY	NTS	METRIC	
		mm	INCH																		
	4 PLACES	± ---	± ---																		
3 PLACES	± ---	± ---																			
2 PLACES	± 0.10	± ---																			
1 PLACE	± ---	± ---																			
DRAFT WHERE APPLICABLE MUST REMAIN WITHIN DIMENSIONS	DRAWN BY: KSSHANTHA CHECKED BY: JESSIECHUA APPROVED BY: NAGESHKIN MATERIAL NO.	DATE: 2010/03/29 DATE: 2010/03/29 DATE: 2010/04/07	TITLE: RECEPTACLE, MIDMOUNT, 6-LEG SMT, 0.4MM PITCH, MICRO HDMI MOLEX INCORPORATED	DOCUMENT NO. SD-46875-701	SHEET NO. 1 OF 2																

