

rev	ecn no	dr	date
A	V06-0148	LP	2006/04/24
B	V06-0558	LP	2006/06/21
C	V07-0618	LP	2007/10/15
D	V09-0071	PK	2009/02/24

A

B

C

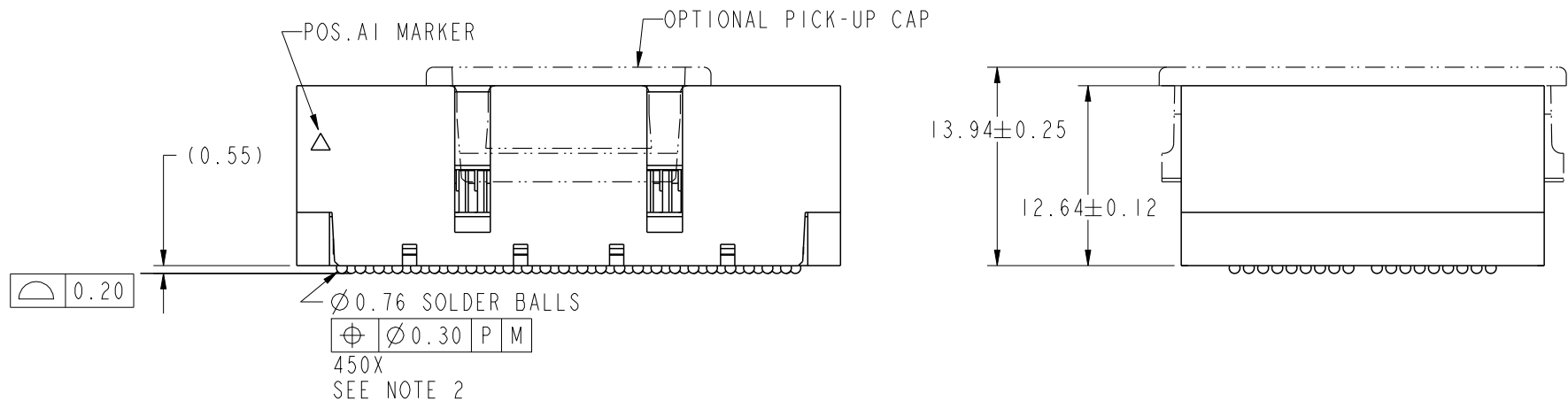
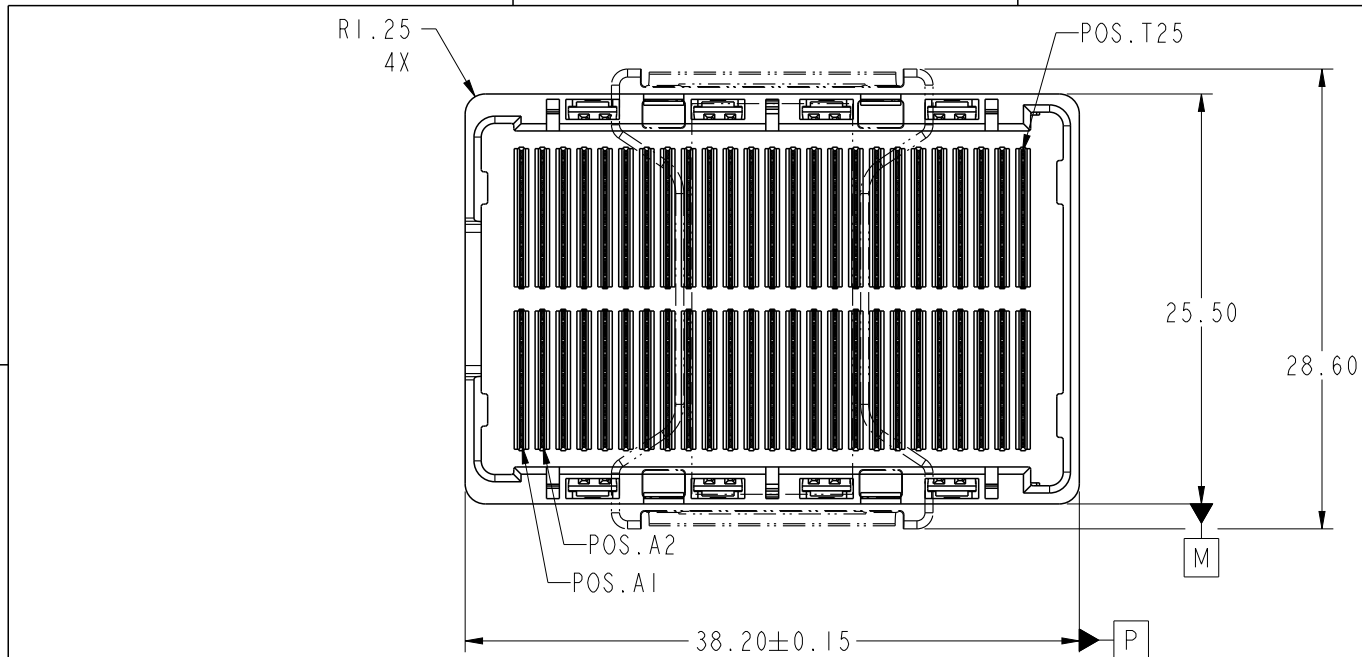
D

A

B

C

D



spec ref	-			dr	Bill Lin	2010/02/02	projection 	mm 	size	A4	scale	1:1
tolerance std	ASME Y14.5			eng	Nickor Zuo	2011/06/15			ecn no	ELX-DG-003943-1		
TOLERANCES UNLESS OTHERWISE SPECIFIED				chr	Alex Cao	2011/06/24			product family	GIG-Array		
-				appr	Pei-Ming Zheng	2011/06/27			rel level	Released		
surface		linear	0.X	±0.30		GIG-Array - 13mm PLUG			dwg no 10060910	rev E		
			0.XX	±0.10		ASSY 200 SIG POS.						
			0.XXX	±0.05								
	angular	0°	±2°	www.fci.com		cat. no.	Product - Customer Drw				sheet 1 of 5	

ProjE File - REV C - 2009-06-09

2

3

PDS: Rev :E

STATUS:Released

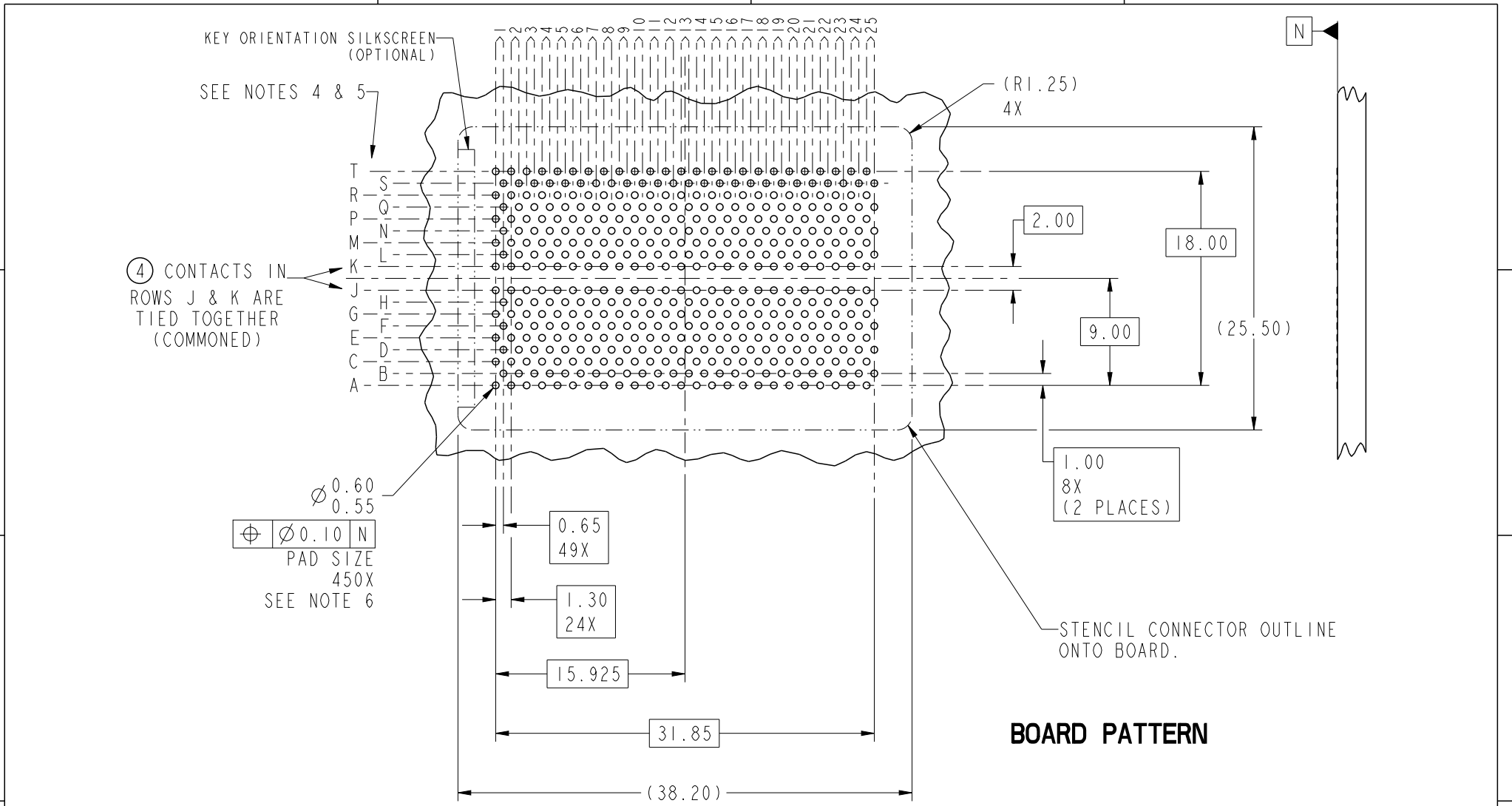
Printed: Jun 27, 2011

FCI

Copyright FCI.



Copyright FCI.



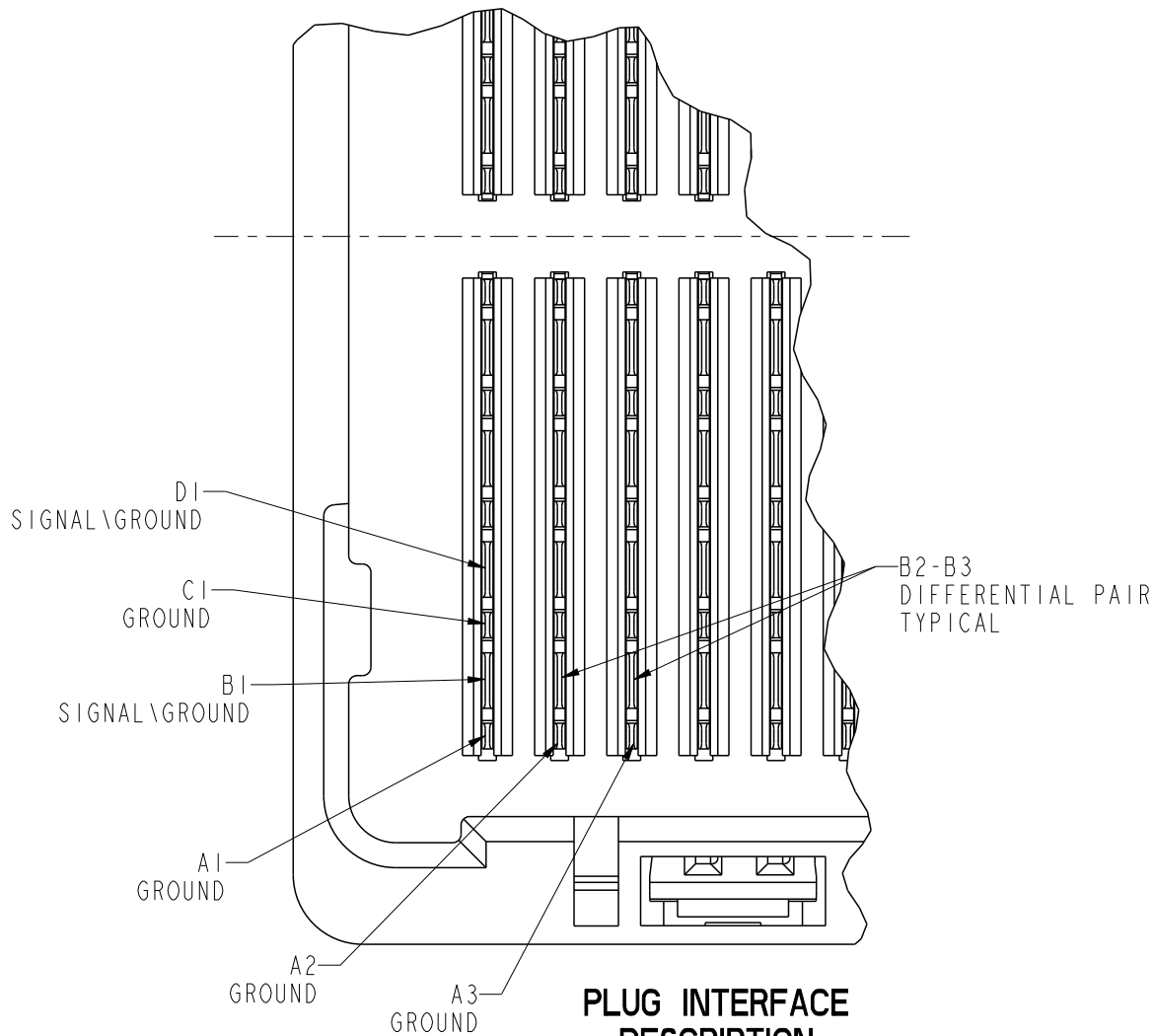
BOARD PATTERN

spec ref	-	dr	Bill Lin	2010/02/02	projection	mm	size	A4	scale	1:1															
tolerance std	ASME Y14.5	eng	Nickor Zuo	2011/06/15			ecn no		ELX-DG-003943-1																
TOLERANCES UNLESS OTHERWISE SPECIFIED		chr	Alex Cao	2011/06/24			product family		GIG-Array		rel level		Released												
surface	<table border="1"> <tr> <td>linear</td> <td>0.X</td> <td>±0.30</td> </tr> <tr> <td></td> <td>0.XX</td> <td>±0.10</td> </tr> <tr> <td></td> <td>0.XXX</td> <td>±0.05</td> </tr> <tr> <td>angular</td> <td>0°</td> <td>±2°</td> </tr> </table>	linear	0.X	±0.30		0.XX	±0.10		0.XXX	±0.05	angular	0°	±2°	appr	Pei-Ming Zheng	2011/06/27	title		GIG-Array - 13mm PLUG		dwg no		10060910	rev	E
linear	0.X	±0.30																							
	0.XX	±0.10																							
	0.XXX	±0.05																							
angular	0°	±2°																							
-		www.fci.com		cat. no.	Product - Customer Drw			sheet 2 of 5																	

PrdE File - REV C - 2009-06-09



Copyright FCI.

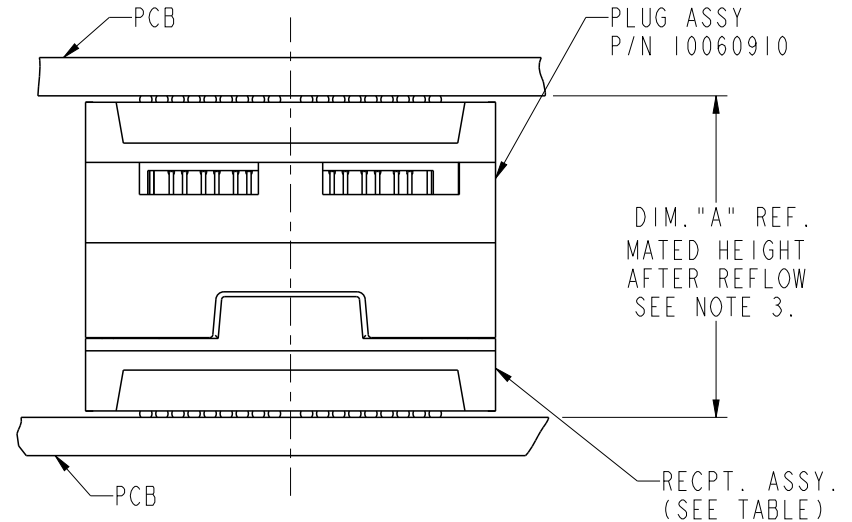
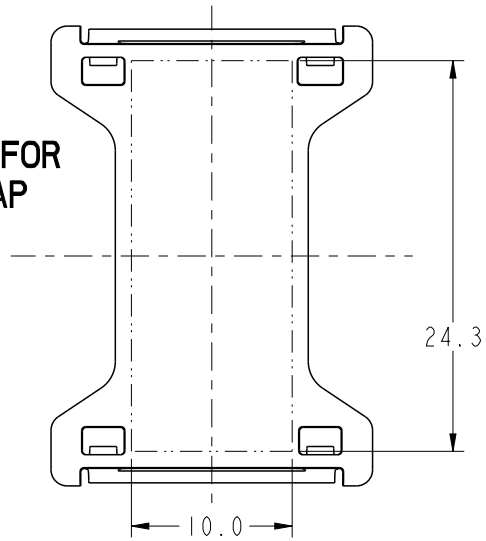


PLUG INTERFACE DESCRIPTION

spec ref		-		dr	Bill Lin	2010/02/02	projection 	mm 	size	A4	scale	1:1	
tolerance std	ASME Y14.5	TOLERANCES UNLESS OTHERWISE SPECIFIED				eng			Nickor Zuo	2011/06/15	ecn no	ELX-DG-003943-1	
						chr			Alex Cao	2011/06/24			
-						appr	Pei-Ming Zheng	2011/06/27	product family	GIG-Array		rel level	Released
surface	✓	linear	0.X	±0.30		title	GIG-Array - 13mm PLUG ASSY 200 SIG POS.		dwg no	10060910		rev	E
			0.XX	±0.10									
-		angular	0°	±2°	www.fci.com	cat. no.	Product - Customer Drw			sheet 3 of 5			

PreE File - REV C - 2009-06-09

FLAT AREA FOR PICK-UP CAP



END VIEW OF MATED CONNECTORS

DIM. "A"	RECPT. ASSY. P/N
28	55741
18	55740



Copyright FCI.

spec ref		-		dr	Bill Lin	2010/02/02	projection 	mm 	size	A4	scale	1:1	
tolerance std	ASME Y14.5	TOLERANCES UNLESS OTHERWISE SPECIFIED		eng	Nickor Zuo	2011/06/15			ecn no	ELX-DG-003943-1			
				chr	Alex Cao	2011/06/24				rel level	Released		
surface	✓	linear	0.X	±0.30	FCI 	title	GIG-Array - 13mm PLUG ASSY 200 SIG POS.	dwg no	10060910		rev	E	
			0.XX	±0.10					www.fci.com	cat. no.	Product - Customer Drw		sheet 4 of 5
			0.XXX	±0.05									
		angular	0°	±2°									

PRODUCT NUMBER	SOLDER BALL COMPOSITION	CONTACT PLATING PERFORMANCE LEVEL
10060910-001	STANDARD (EUTECTIC)	PERFORMANCE-BASED PLATING, QUALIFIED TO MEET THE REQUIREMENTS OF FCI PRODUCT SPECIFICATION GS-12-192, INCLUDING TELCORDIA CENTRAL OFFICE Au over Ni
10060910-001LF	LEADFREE	
10060910-201	STANDARD (EUTECTIC)	
10060910-201LF	LEADFREE	

NOTES:

- ① MAT'L:
HOUSING: LCP
CONTACT: COPPER ALLOY
PLATING (CONTACT): Au OVER Ni.
UL RATING: 94 V-0
- ② SOLDER BALLS WILL NOT BE PERFECT SPHERICAL SHAPE DUE TO REFLOW ATTACHMENT.
- ③ MATED HEIGHT EFFECTED BY CUSTOMERS' PCB PAD SIZE, PLATING, SOLDER REFLOW PROFILE & SOLDER PASTE.
- ④ CONTACTS IN ROWS A,C,E,G,J,K,M,P,R AND T ARE SINGLE BEAM CONTACTS, TYPICALLY USED AS GROUND PINS.
(NOTE: CONTACTS IN ROWS J & K ARE TIED TOGETHER [COMMONED])
- ⑤ CONTACTS IN ROWS B,D,F,H,L,N,Q AND S ARE DUAL BEAM CONTACTS, TYPICALLY USED AS SIGNAL PINS.
- ⑥ SPECIFIED POSITIONAL TOLERANCE DEFINES PAD TO PAD LOCATION WITHIN LAND PATTERN. POSITIONAL TOLERANCE OF LAND PATTERN TO FUDICIAL MARKS OR PCB DATUMS SHALL BE DEFINED BY CUSTOMER. FOR RECOMMENDED PRODUCT APPLICATION AND PCB DESIGN DETAILS, SEE DOC. NO. GS-20-016.
- ⑦ FOR PROPER APPLICATION FOLLOW FCI APPLICATION SPECIFICATION GS-20-033 LEADFREE SOLDER BALLS WILL NOT SOLDER PROPERLY IN A LEADED SOLDER PROCESS DUE TO A HIGHER REFLOW TEMPERATURE, LEADFREE PRODUCT IS THEREFORE NOT BACKWARDS COMPATIBLE WITH LEADED OR SOME SOLDERING APPLICATIONS. REFERENCE FCI APPLICATION SPECIFICATION.
- ⑧ THIS PRODUCT MEETS THE EUROPEAN UNION DIRECTIVES AND OTHER COUNTRY REGULATIONS AS DESCRIBED IN GS-22-008. PRODUCT MEETING WITH THIS DIRECTIVE IS IDENTIFIED IN THE LOT CODE NUMBER MARKED ON EACH PART BY HAVING AN "X" IN THE SEVENTH CHARACTER POSITION.

spec ref	-	dr	Bill Lin	2010/02/02	projection 	mm 	size	A4	scale	1:1			
tolerance std	TOLERANCES UNLESS OTHERWISE SPECIFIED	eng	Nickor Zuo	2011/06/15			ecn no	ELX-DG-003943-1					
ASME Y14.5		chr	Alex Cao	2011/06/24			product family	GIG-Array		rel level	Released		
surface	linear	appr	Pei-Ming Zheng	2011/06/27	www.fci.com	title	GIG-Array - 13mm PLUG			dwg no	10060910	rev	E
-		angular	0°	±2°			cat. no.	Product - Customer Drw					