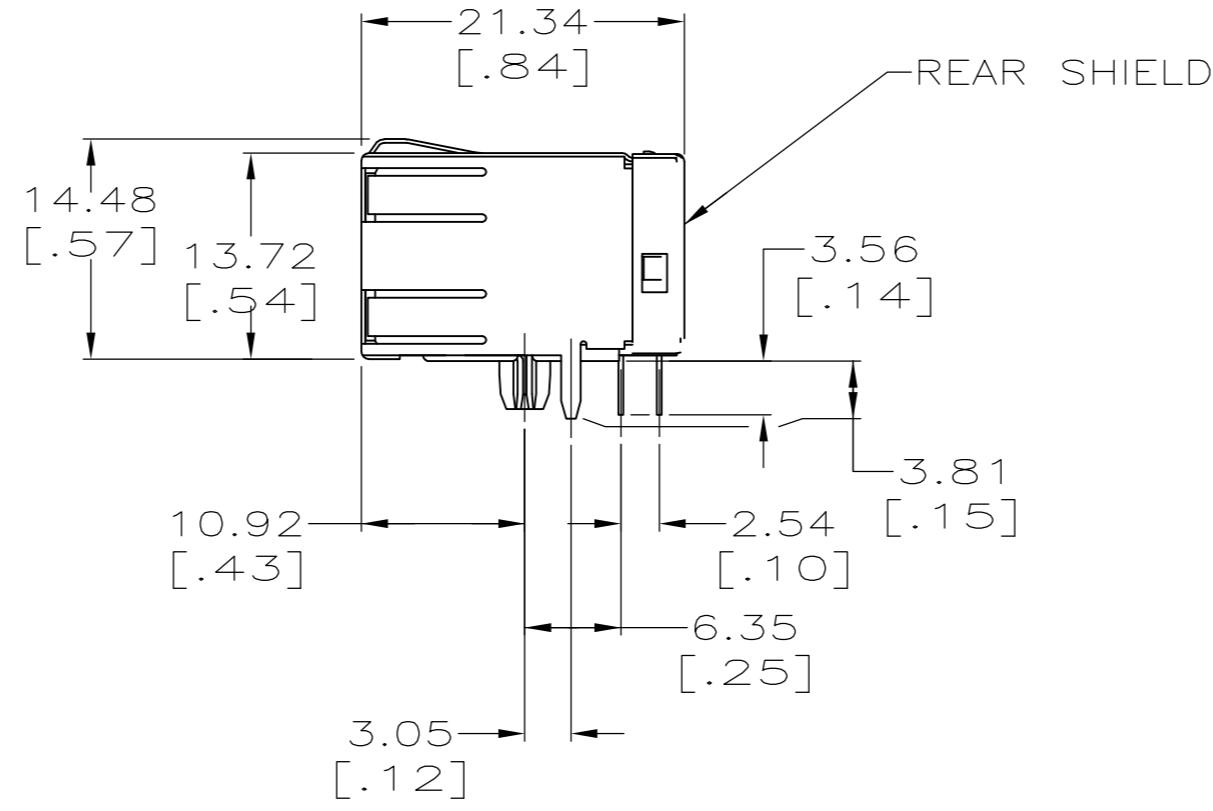
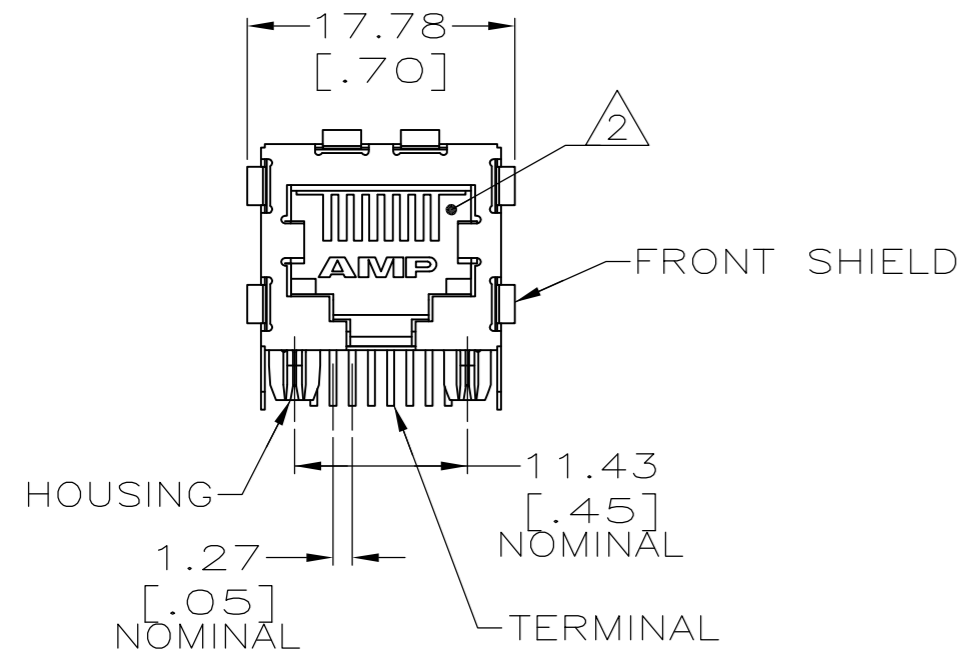
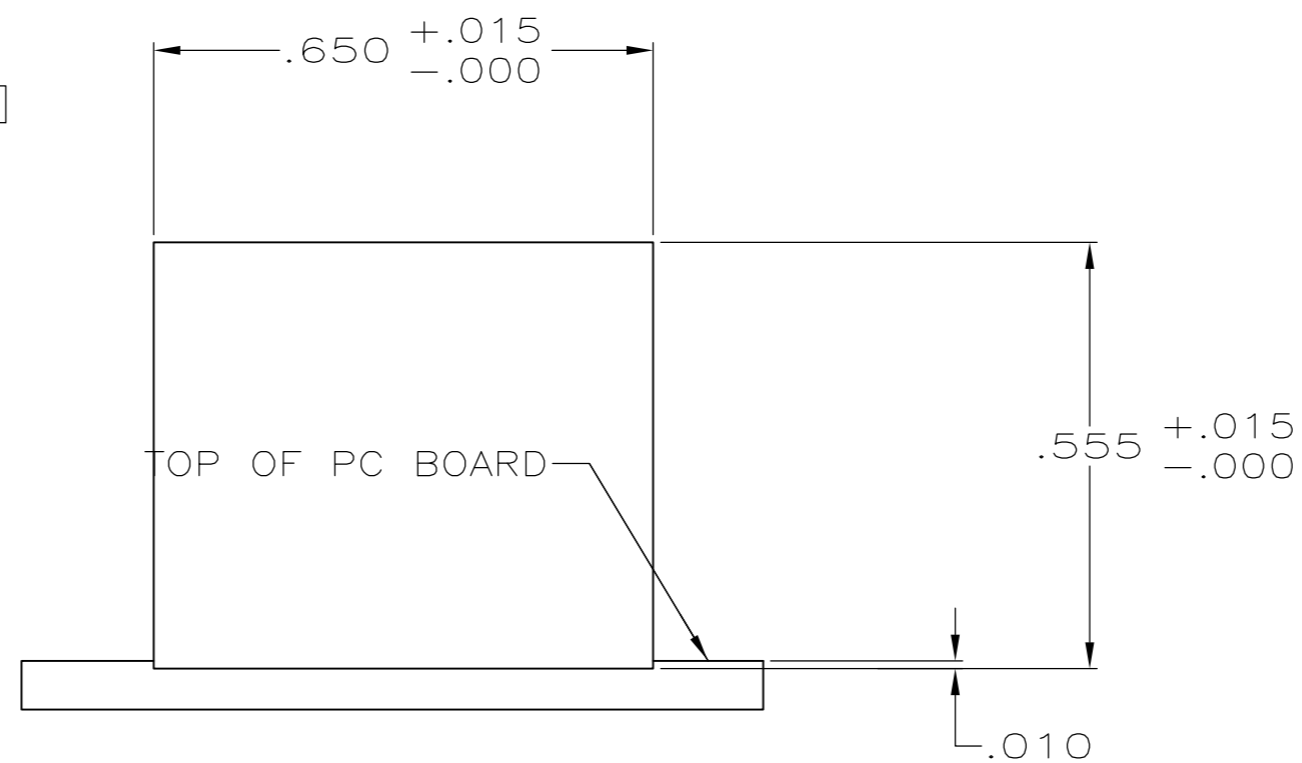
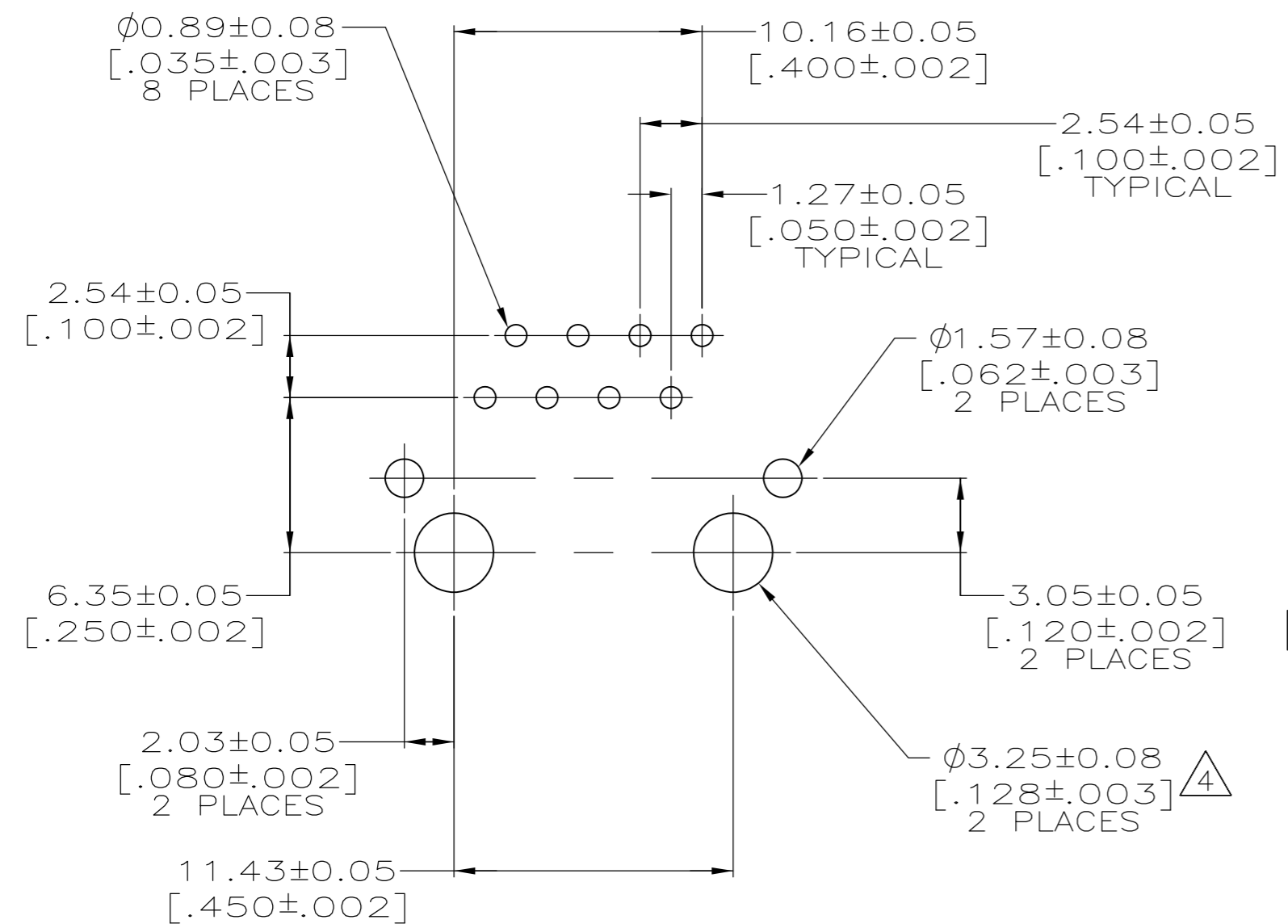


THIS DRAWING IS UNPUBLISHED. RELEASED FOR PUBLICATION
 © COPYRIGHT - By - ALL RIGHTS RESERVED.

LOC	DIST	REVISIONS					
AA	22	P	LTR	DESCRIPTION	DATE	DWN	APVD
		B		ECR-11-024835	20FEB2012	JJ	AC



- ⚠ MATERIAL: HOUSING - NYLON, BLACK, IR REFLOW COMPATIBLE, UL 94V-0.
 TERMINALS - 0.33[.013] THICK PHOS BRONZE PLATED WITH 1.27µm[.000050] MINIMUM THICK HARD GOLD IN LOCALIZED AREA AND 3.81µm[.000150] MINIMUM THICK MATTE TIN IN SOLDER AREA OVER 1.27µm[.000050] MINIMUM THICK NICKEL UNDERPLATE.
 SHIELDS - 0.25[.010] THICK COPPER ALLOY PLATED WITH 2.03µm[.000080] MINIMUM BRIGHT TIN OVER 1.27µm[.000050] MINIMUM NICKEL.
- ⚠ JACK CAVITY CONFORMS TO FCC RULES AND REGULATIONS, PART 68 SUBPART F.
- ⚠ CAUTION: CATEGORY 5 JACK SOLDER TAIL POSITIONS DO NOT FOLLOW SAME NUMBER SEQUENCE AS THAT OF THE TRADITIONAL JACKS.
- ⚠ USE #30 DRILL BIT OR 3.25mm DRILL BIT WHEN PRODUCING THESE PCB HOLES.
- ⚠ MATERIAL: HOUSING - NYLON, BLACK, IR REFLOW COMPATIBLE, UL 94V-0.
 TERMINALS - 0.33 [.013] THICK PHOS BRONZE PLATED WITH 1.27 µm [.000050] MINIMUM THICK HARD GOLD IN LOCALIZED AREA AND 3.81 µm [.000150] MINIMUM THICK MATTE TIN IN SOLDER AREA OVER 1.27 µm [.000050] MINIMUM THICK NICKEL UNDERPLATE.
 SHIELDS - 0.25 [.010] THICK COPPER ALLOY PLATED WITH 1.27 µm [.000050] MINIMUM NICKEL AND 2.03 µm [.000080] MINIMUM HOT TIN DIP ON PCB GROUND TABS.



SUGGESTED PANEL CUTOUT
 SCALE 4:1

SUGGESTED PC BOARD LAYOUT
 COMPONENT SIDE
 SCALE 4:1



SUPERSEDED BY -2	⚠	5406300-2
	⚠	5406300-1
	MATERIAL AND FINISH	PART NUMBER

THIS DRAWING IS A CONTROLLED DOCUMENT.		DWN	08JUN2005	TE Connectivity	
DIMENSIONS: mm [INCHES]		CHK	J. ALCORTA - DOCK5	NAME: J. WESTMAN	
TOLERANCES UNLESS OTHERWISE SPECIFIED:		APVD	S. FLICKINGER		
0 PLC ± -		PRODUCT SPEC	108-1163	MODULAR JACK ASSEMBLY, SINGLE PORT, 8 POSITION, SHIELDED, REVERSE PANEL GROUND TABS, CATEGORY 5	
1 PLC ± -		APPLICATION SPEC	114-2048	SIZE	CAGE CODE
2 PLC ± 0.25[.01]				A2	00779
3 PLC ± 0.13[.005]				SCALE	SHEET
4 PLC ± -				2:1	1 of 1
ANGLES ± -				REV	B
FINISH				CUSTOMER DRAWING	