

NOTE:

MATERIAL

| | |
|----------|--------------------|
| HOUSING: | PBT UL94V-0, BLACK |
| CONTACT: | BRASS |
| NUT: | BRASS |
| SHELL: | BRASS |
| O-RING: | NBR, BLACK |

FINISH

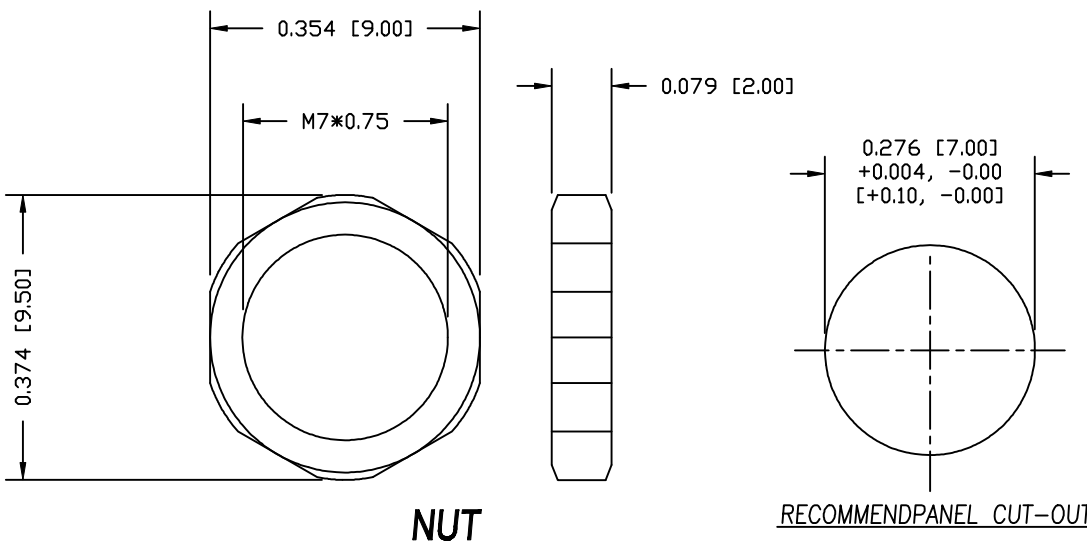
| | |
|----------|--------------------------------|
| CONTACT: | GOLD PLATED OVER 50µ NICKEL |
| NUT: | NICKEL PLATED |
| SHELL: | NICKEL PLATED |

ELECTRICAL

| | |
|------------------------|----------------|
| RATED CURRENT: | 1A |
| RATED VOLTAGE: | 60V |
| INSULATION RESISTANCE: | 100 MΩhms MIN. |
| CONTACT RESISTANCE: | 10 MΩhms MAX. |
| WATER PROOF: | IP67 |

ENVIRONMENT

| | |
|------------------------|----------------|
| OPERATION TEMPERATURE: | -40°C TO +85°C |
|------------------------|----------------|



852-003-213R00Y

1 = GOLD FLASH
4 = 10µ" GOLD

RoHS COMPLIANT

DO NOT SCALE FROM DRAWING



THESE DRAWINGS AND SPECIFICATIONS ARE THE PROPERTY OF NorComp AND SHALL NOT BE REPRODUCED, COPIED OR USED AS THE BASIS FOR THE MANUFACTURE OR SALE OF APPARATUS WITHOUT WRITTEN PERMISSION.

DRAWN:
M. SIGMON
CHECKED:

DATE:
03-03-16
DATE:

NorComp

SCALE:
NTS
DWG NO.

SHEET OF
1 1

REV
1

852-003-213R00Y