

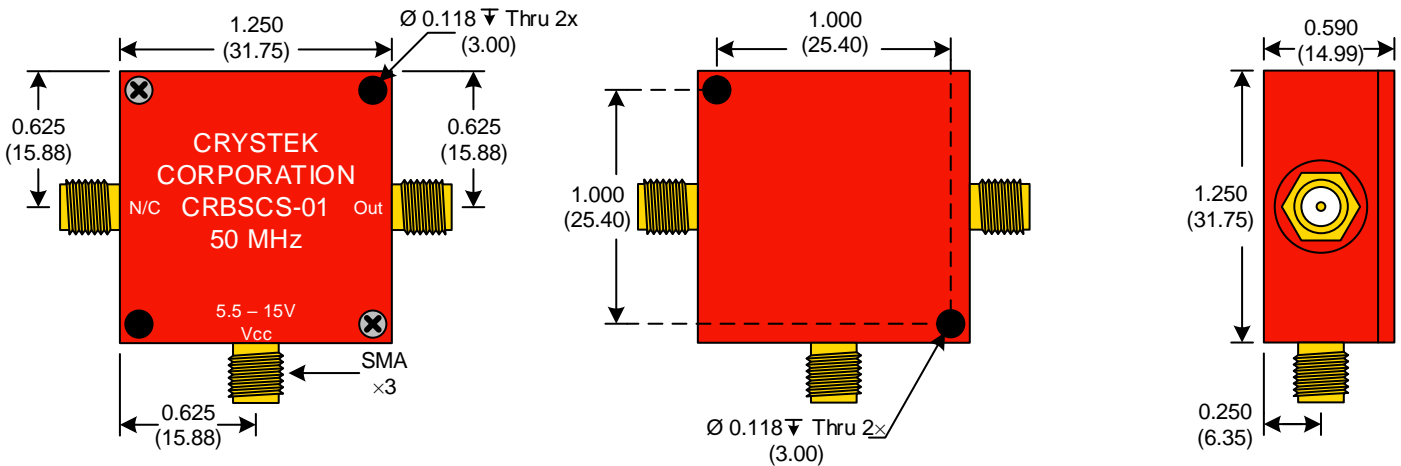


Frequency:	50.000 MHz
Temperature Range:	-40°C to 85°C
Input Voltage:	+5.5 V to +15 V
Input Current:	30 mA Max
Output:	TrueSineWave
Frequency Stability:	±25 ppm Max
Output Power:	+5 dBm Min, +7 dBm Max
Start-up Time:	2 ms Typical, 5 ms Max
Load:	50 Ω
2nd Harmonic:	-25 dBc Max
Sub-Harmonics:	None
Period Jitter: (20,000 periods)	<5 ps RMS (1-sigma) Max
Phase Jitter: 12 kHz ~ 20 MHz	<1 ps RMS (1-sigma) Max
50 kHz ~ 80 MHz	<1 ps RMS (1-sigma) Max
Phase Noise Typical: 10 Hz	-80 dBc/Hz
100 Hz	-115 dBc/Hz
1 kHz	-140 dBc/Hz
10 kHz	-155 dBc/Hz
100 kHz	-170 dBc/Hz
1 MHz	-170 dBc/Hz
Aging:	<3 ppm 1 st year, <1 ppm every year thereafter

FRONT

BACK

SIDE



● Unless otherwise specified, Dimensions are in: $\frac{IN}{(mm)}$

Product Control:

Crystek Part Number:	CRBSCS-01-50.000	Release Date:	13-Dec-2012
Revision Level:	A	Responsible:	C. Vales

