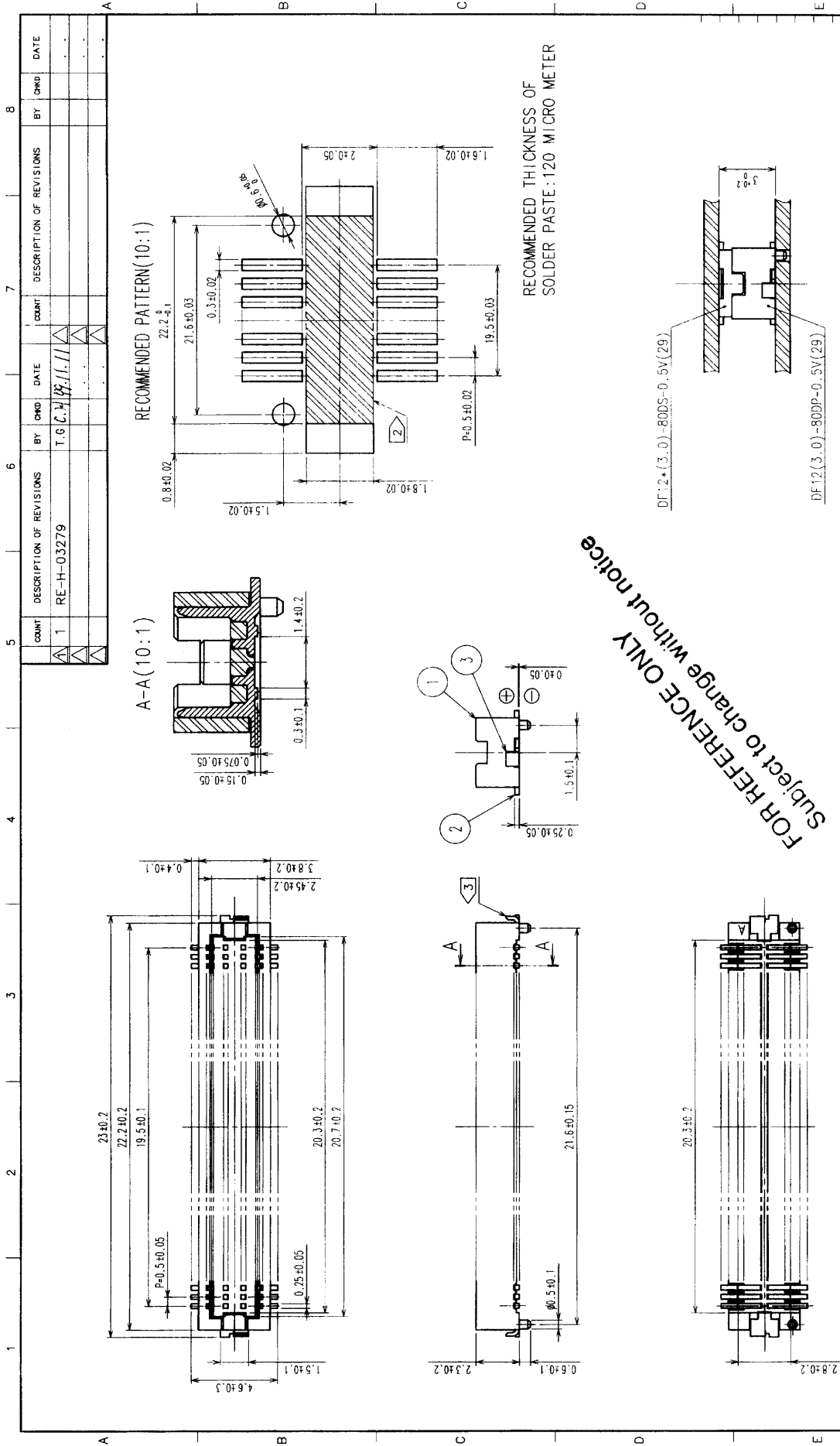


DESCRIPTION OF REVISIONS		BY	CHKD	DATE	COUNT	DESCRIPTION OF REVISIONS		BY	CHKD	DATE
△					△					
△					△					
APPLICABLE STANDARD										
RATING	OPERATING TEMPERATURE RANGE	- 45 °C TO 125 °C (NOTE1)				STORAGE TEMPERATURE RANGE	- 10 °C TO 60 °C			
	VOLTAGE	50 V AC				APPLICABLE CONNECTOR	DF12*(3.0)-80DS-0.5V(29)			
	CURRENT	0.3 A								
SPECIFICATIONS										
ITEM		TEST METHOD				REQUIREMENTS			QT	AT
CONSTRUCTION										
GENERAL EXAMINATION		VISUALLY AND BY MEASURING INSTRUMENT.				ACCORDING TO DRAWING.			○	○
MARKING		CONFIRMED VISUALLY.							○	○
ELECTRICAL CHARACTERISTICS										
CONTACT RESISTANCE		100 mA (DC OR 1000 Hz).				50 mΩ MAX.			○	-
CONTACT RESISTANCE MILLIVOLT LEVEL METHOD.		20 mV MAX, mA(DC OR 1000 Hz).				mΩ MAX.			-	-
INSULATION RESISTANCE		100 V DC.				500 MΩ MIN.			○	-
VOLTAGE PROOF		150 V AC FOR 1 min.				NO FLASHOVER OR BREAKDOWN.			○	-
MECHANICAL CHARACTERISTICS										
CONTACT INSERTION AND EXTRACTION FORCES		BY STEEL GAUGE.				INSERTION FORCE N MAX. EXTRACTION FORCE N MIN.			-	-
INSERTION AND WITHDRAWAL FORCES		MEASURED BY APPLICABLE CONNECTOR.				INSERTION FORCE N MAX. EXTRACTION FORCE N MIN.			-	-
MECHANICAL OPERATION		50 TIMES INSERTIONS AND EXTRACTIONS.				① CONTACT RESISTANCE: 50 mΩ MAX. ② NO DAMAGE, CRACK AND LOOSENESS, OF PARTS.			○	-
VIBRATION		FREQUENCY 10 TO 55 Hz, SINGLE AMPLITUDE 0.75 mm, - m/s ² AT 2 h, FOR 3 DIRECTIONS.				① NO ELECTRICAL DISCONTINUITY OF 1 μs. ② CONTACT RESISTANCE: 50 mΩ MAX. ③ NO DAMAGE, CRACK AND LOOSENESS, OF PARTS.			○	-
SHOCK		490 m/s ² DURATION OF PULSE 11 ms AT 3 TIMES FOR 3 DIRECTIONS.				① NO ELECTRICAL DISCONTINUITY OF 1 μs. ② CONTACT RESISTANCE: 50 mΩ MAX. ③ NO DAMAGE, CRACK AND LOOSENESS, OF PARTS.			○	-
ENVIRONMENTAL CHARACTERISTICS										
DAMP HEAT (STEADY STATE)		EXPOSED AT 40±2 °C, 90 TO 95 %, 96 h.				① CONTACT RESISTANCE: 50 mΩ MAX. ② INSULATION RESISTANCE: 500 MΩ MIN. ③ NO DAMAGE, CRACK AND LOOSENESS, OF PARTS.			○	-
RAPID CHANGE OF TEMPERATURE		TEMPERATURE -65→5 TO 35→125→5 TO 35 °C TIME 30→10 TO 15→30→10 TO 15 min UNDER 5 CYCLES.				① CONTACT RESISTANCE: 50 mΩ MAX. ② INSULATION RESISTANCE: 500 MΩ MIN. ③ NO DAMAGE, CRACK AND LOOSENESS, OF PARTS.			○	-
CORROSION SALT MIST		EXPOSED IN 5% SALT WATER SPRAY FOR 48 h.				① CONTACT RESISTANCE: 50 mΩ MAX. ② NO HEAVY CORROSION.			○	-
SULPHUR DIOXIDE		EXPOSED IN 10 PPM FOR 96h. (TEST STANDARD: JEIDA-39)				① CONTACT RESISTANCE: 50 mΩ MAX. ② NO HEAVY CORROSION.			○	-
REMARKS					DRAWN	DESIGNED	CHECKED	APPROVED	RELEASED	
NOTE1: INCLUDE THE TEMPERATURE RISING BY CURRENT.					<i>K. Midorikawa</i>	<i>K. Midorikawa</i>	<i>J. One</i>	<i>H. Harada</i>	HRS 4.8.04 USA	
Unless otherwise specified, refer to MIL-STD-1344.					97.4.17	97.4.17	97.4.23	97.4.24		
Note QT: Qualification Test AT: Assurance Test O: Applicable Test										
HRS HIROSE ELECTRIC CO., LTD.					SPECIFICATION SHEET			PART NO. DF12(3.0)-80DP-0.5V(29)		
CODE NO.(OLD) CL			DRAWING NO. ELC4-161618-01			CODE NO. CL537-0733-9-29			1 1	

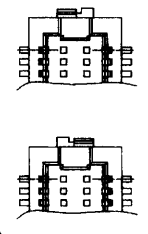
FOR REFERENCE ONLY
Subject to change without notice

TO





NOTES 1 : LEAD CO-PLANARITY INCLUDING REINFORCED METAL FITTINGS SHALL BE 0.08 mm MAX.
 2 : IF THERE IS PATTERN ON PART, THERE IS A POSSIBILITY THAT IT WILL MAKE CONTACT WITH THE LEADS.
 3 : REINFORCED METAL FITTINGS AS FOLLOWS.



FOR REFERENCE ONLY
 Subject to change without notice

NO.	MATERIAL	FINISH, REMARKS	NO.	MATERIAL	FINISH, REMARKS
2	PHOSPHOR BRONZE	GOLD PLATING	3	BRASS	TIN PLATING
1	POLYAMIDE	NATURAL (BEIGE), UL94V-0			

DESIGNED	CHECKED	APPROVED
K. Midorikawa	T. Ono	M. Yamano
97. 4. 17	97. 4. 23	97. 4. 24

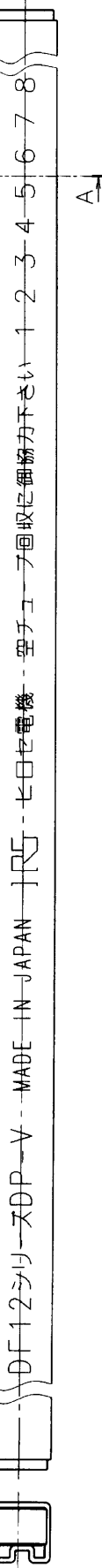
DRAWING NO.	PART NO.
EDC3-161618-01	DF12(3.0)-80DP-0.5V(29)
SCALE	CODE NO.
5 : 1	CL537-0733-9-29
UNITS	
mm	



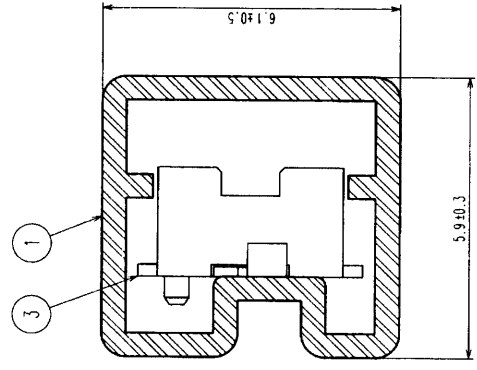
TO

△の順 COUNT	訂正 DESCRIPTION OF REVISIONS	年月日 DATE	△の順 COUNT	訂正 DESCRIPTION OF REVISIONS	年月日 DATE
△			△		
△			△		
△			△		

510.0



A-A (10:1)

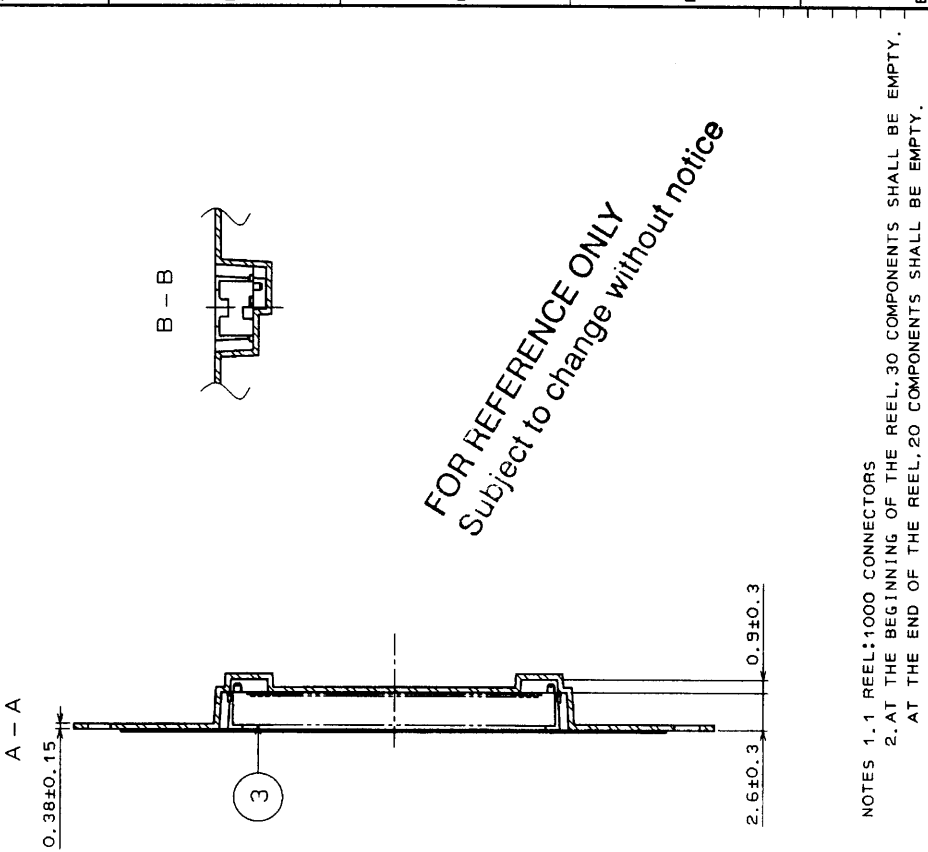


- 注1 マガシンの両面にストッパーを設けます。
- 注2 及び、曲がり角が51.0mmに対して1mmとします。
- 注3 最小販売単位はマガシンの挿入数量(21個)です。

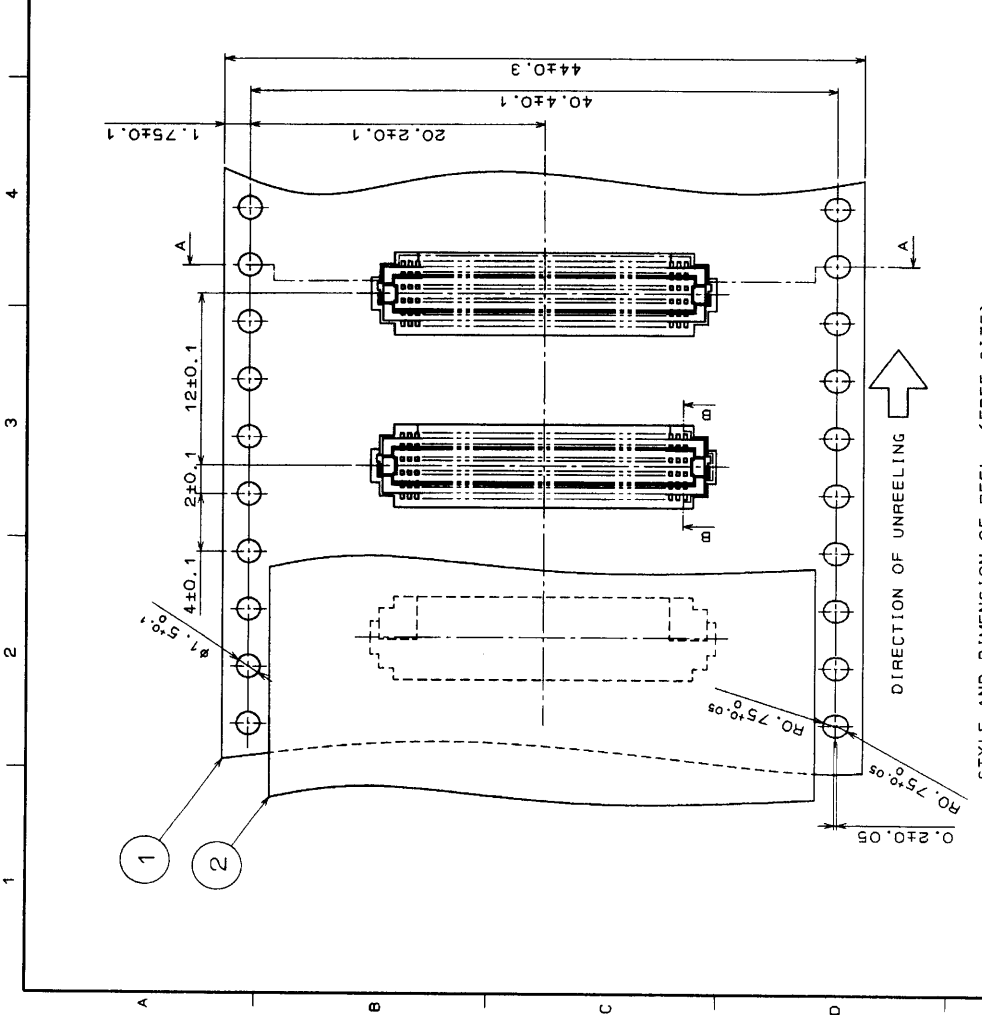
2	非移行性S.PVC YELLOW, ストッパー	材	製	材	DF12 (3.0)-80DP-0.5V (29) (17-ス 21個入り)
1	硬質塩化ビニール 滑電防止処理, CLEAR	材	製	材	
備考	REMARKS				
FOR REFERENCE ONLY Subject to change without notice					
旧製品コード	図番	DRAWING NO.	製品名	PART NO.	
CODE NO. (OLD)	尺貫	SCALE	ADC3-161618-02	DF12 (3.0)-80DP-0.5V (80)	
	FR. LEE	単位	mm	単位	mm
	HRS HIROSE ELECTRIC CO., LTD.				
	製品コード CL537-0733-9-80				
	FORM NO. 233				

TO

COUNT DESCRIPTION OF REVISIONS	BY (CHKD)	DATE	COUNT DESCRIPTION OF REVISIONS	BY (CHKD)	DATE



FOR REFERENCE ONLY
Subject to change without notice



PART NO. 2±0.5

STYLE AND DIMENSION OF REEL (FREE SIZE)

SUPPLIER

QUANTITY

PART NO.

CODE NO.

DATE OF MANUFACTURED

DETAIL OF PART NO. LABEL

年 月 日	年 月 日
図番	DF12(3.0)-80DP-0.5V(81)
品名	1000No
納入数量	七口電機(株)

TO

2	POLYESTER	CLEAR(COVER TAPE)			
1	PET	CLEAR(EMBOSSED CARRIER TAPE)	3	DF12(3.0)-80DP-0.5V(29)	
NO.	MATERIAL	FINISH . REMARKS	NO.	MATERIAL	FINISH . REMARKS
CL					
			DESIGNED		APPROVED
			97.4.17	J. Cua	4.8.04
			97.4.17		
DRAWING NO.		PART NO.		RELEASED	
EDC3-161618-03		DF12(3.0)-80DP-0.5V(81)		HRS	
SCALE		CODE NO.		4.8.04	
FREE		CL		USA	
UNITS		HMIROSE ELECTRIC CO., LTD.			
mm		CL537-0733-9-81			
1		8		FORM NO. 229	