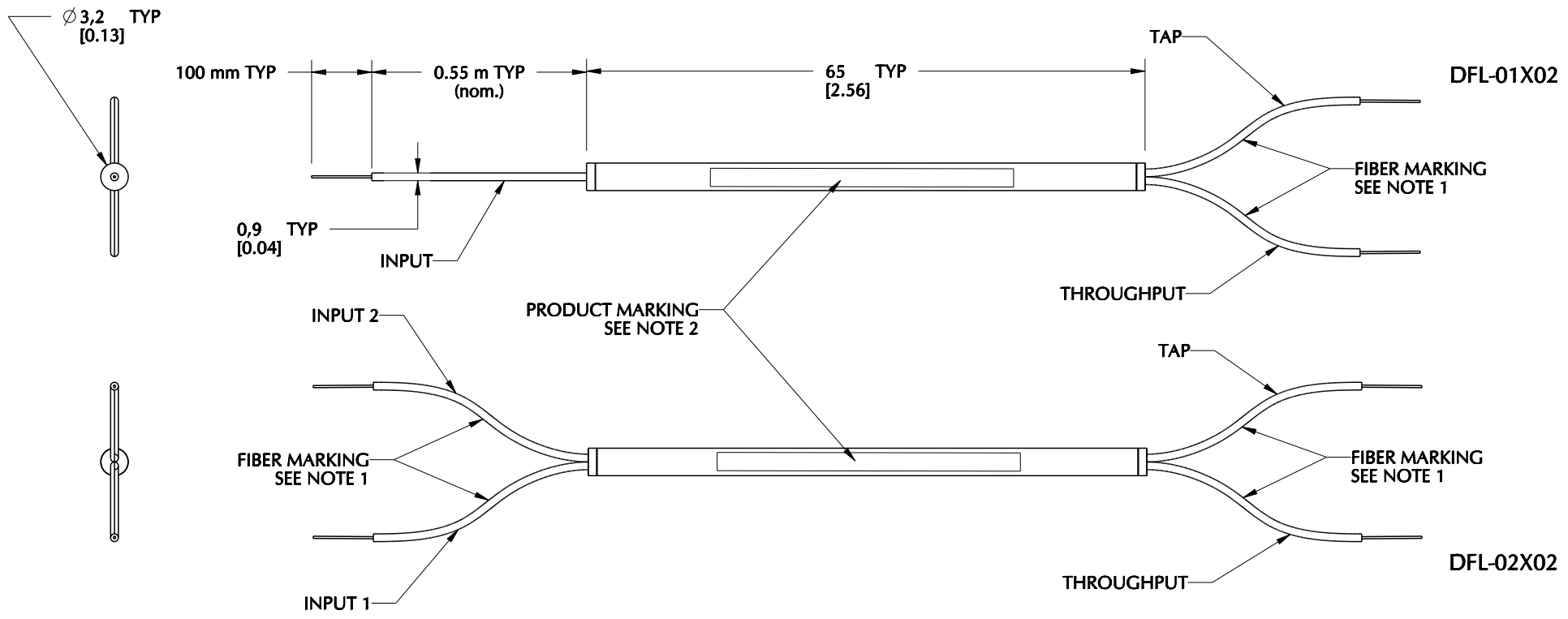




Copyright FCI.



**NOTES:**

1. 'TAP' & 'INPUT 2' FIBERS WILL BE MARKED IN BLACK IMMEDIATELY AFTER THE EXIT OF THE FIBER FROM THE HOUSING TUBE END FOR APPROXIMATELY 6 INCHES LONG. THERE IS NO MARKING ON 'THROUGHPUT' & 'INPUT 1' FIBERS.
2. UNLESS OTHERWISE SPECIFIED, COUPLER MARKING TO BE LASER-MARKED WITH 'CANSTAR', CANSTAR PART DESCRIPTOR, AND SERIAL NUMBER.
3. SEE SHEET 2 FOR PART NUMBER ORDERING INFORMATION.
4. SEE SHEET 3 FOR CANSTAR PART DESCRIPTORS.
5. SEE SHEET 4 & 5, TABLE A-1 & A-2, FOR OPTICAL PERFORMANCE SPECIFICATIONS.
6. SEE SHEET 5, TABLE B, FOR CONNECTORIZED COUPLER SPECIFICATIONS.
7. CONTACT US FOR COUPLERS WITH CUSTOMER SPECIALTY FIBERS, OR WITH CUSTOM SPECS.

STANDARD SPECIFICATION	
DIRECTIVITY	$\geq 50\text{dB @ nom. } \lambda$ (APPLICABLE 1X2 ONLY)
THERMAL STABILITY	$\leq 0.002\text{dB/}^\circ\text{C}$ OVER $-40^\circ\text{C}$ TO $+85^\circ\text{C}$ (NON-CONNECTORIZED)
PDIL	$\leq 0.2\text{ dB pp @ nom. } \lambda$
OPTICAL FIBER	SMF-28 TM
LEAD TYPE	0.9 mm PTFE LOOSE TUBE
PACKAGING STYLE	T304 STAINLESS STEEL TUBE

spec ref	dr asir 2012/05/16				<b>MM</b> [INCH]	size	A4	scale	1.400	
tolerance std	TOLERANCES UNLESS OTHERWISE SPECIFIED					eng asir 2012/07/04	ecr no	ELX-S-012106-1		
								chr -	rel level	Released
surface	appr John Wang 2012/07/04			product family	dwg no	DFL-MXN01		rev	B	
	linear	0.X	$\pm 0.3$			<b>COUPLER, MXN, SINGLEMODE DUAL WINDOW, 'FL' PACKAGE</b>	<b>Product - Customer Drw</b>		sheet 1 of 6	
		0.XX	$\pm 0.05$							
	angular	0°	$\pm 2^\circ$							
www.fci.com				cat. no.						

ProjE File - REV C - 2009-06-09

# PART NUMBER ORDERING INFORMATION

← INPUT →    ← OUTPUT → (SEE NOTE 1)

# of Inputs  
One - '1'  
Two - '2'

DFL         00       00

# of Outputs  
Two - '2'

Fiber Type  
SMF-28 TM - 'A'  
Customer Supplied - '#'  
Custom - 'Y'

Wavelengths  
1300/1550 nm - 'J'  
1310/1550 nm - 'K'  
Not Specified - 'X'

Operating Bandwidth  
± 20 nm - '4'  
Custom - 'Z'

Coupling Ratio  
99:01 - '01'  
98:02 - '02'  
90:10 - '10'  
80:20 - '20'  
70:30 - '30'  
60:40 - '40'  
50:50 - '50'  
Custom - 'ZZ'

Polish Type  
'A' - Flat  
'B' - PC  
'C' - SPC  
'D' - UPC  
'E' - APC  
'X' - No Specification  
'Z' - Custom

Connector Type  
'A' - SMA 905  
'B' - SMA 906  
'C' - ST  
'D' - SC  
'E' - FC  
'K' - LC  
'#' - Customer Supplied  
'X' - No Connector  
'Z' - Custom

Lead Length  
'0' - NA  
'1' - .25 m  
'2' - .50 m  
'3' - .75 m  
'4' - 1.00 m  
'5' - 1.25 m  
'6' - 1.50 m  
'7' - 1.75 m  
'8' - 2.00 m  
'9' - 2.25 m  
'A' - 2.50 m  
'B' - 2.75 m  
'C' - 3.00 m  
'D' - 3.25 m  
'E' - 3.50 m  
'F' - 3.75 m  
'G' - 4.00 m  
'H' - 4.25 m  
'I' - 4.50 m  
'J' - 4.75 m  
'K' - 5.00 m  
'L' - 5.25 m  
'M' - 5.50 m  
'N' - 5.75 m  
'P' - 6.00 m  
'Q' - 6.25 m  
'R' - 6.50 m  
'S' - 6.75 m  
'T' - 7.00 m  
'U' - 7.25 m  
'V' - 7.50 m  
'W' - 7.75 m  
'X' - 8.00 m  
'Y' - 8.25 m  
'Z' - 8.50 m  
'#' - Special

### NOTES:

- ORDERING OPTIONS FOR OUTPUTS ARE IDENTICAL TO INPUTS.
- NOMINAL LEAD LENGTH: 0.55 m
- SEE SHEET 5, TABLE B, FOR CONNECTOR SPECIFICATIONS.



spec ref		dr	asir	2012/05/16	projection 	MM [INCH]	size	A4	scale	N/A			
tolerance std		eng	asir	2012/07/04			ecn no	ELX-S-012106-1					
TOLERANCES UNLESS OTHERWISE SPECIFIED		chr	-	-			rel level	Released					
surface	linear	0.X	±0.3		FCI	title	COUPLER, MXN, SINGLEMODE DUAL WINDOW, 'FL' PACKAGE			dwg no	DFL-MXN01	rev	B
		0.XX	±0.05										
		0.XXX	±										
	angular	0°	±2°		www.fci.com	cat. no.	Product - Customer Drw			sheet 2 of 6			

ProjE File - REV C - 2009-06-09

Copyright FCI.

CANSTAR PART DESCRIPTOR

DFL -   X   -    / 155 -

# of Inputs  
One - '01'  
Two - '02'

# of Outputs  
Two - '02'

Primary Wavelength (nm)  
1300 - '130'  
1310 - '131'

Tap Ratio  
1% - '01'  
2% - '02'  
10% - '10'  
20% - '20'  
30% - '30'  
40% - '40'  
50% - '50'



Copyright FCI.

spec ref		dr asir 2012/05/16		projection 	MM [INCH]	size A4	scale N/A	
tolerance std	TOLERANCES UNLESS OTHERWISE SPECIFIED					chr -	ecn no ELX-S-012106-1	
							rel level Released	
surface <input checked="" type="checkbox"/>	linear	0.X ±0.3	FCI	title COUPLER, MXN, SINGLEMODE DUAL WINDOW, 'FL' PACKAGE	dwg no	DFL-MXN01	rev B	
		0.XX ±0.05						
		0.XXX ±						
	angular	0° ±2°	www.fci.com	cat. no.	Product - Customer Drw		sheet 3 of 6	

TABLE A-1					
PART DESCRIPTOR	WAVELENGTH (nm)	COUPLING RATIO (%)	MAXIMUM EXCESS LOSS (dB)	THROUGHPORT INSERTION LOSS (dB)	TAP-PORT INSERTION LOSS (dB)
DFL-01X02-130/155-50	1300/1550 ± 20	50 ± 5	0.5	3.8	3.8
DFL-01X02-130/155-40	1300/1550 ± 20	40 ± 4	0.3	2.5	4.5
DFL-01X02-130/155-30	1300/1550 ± 20	30 ± 3	0.2	2.0	6.0
DFL-01X02-130/155-20	1300/1550 ± 20	20 ± 2	0.2	1.2	7.4
DFL-01X02-130/155-10	1300/1550 ± 20	10 ± 2	0.2	0.7	11.3
DFL-01X02-131/155-50	1310/1550 ± 20	50 ± 5	0.5	3.8	3.8
DFL-01X02-131/155-40	1310/1550 ± 20	40 ± 4	0.3	2.5	4.5
DFL-01X02-131/155-30	1310/1550 ± 20	30 ± 3	0.2	2.0	6.0
DFL-01X02-131/155-20	1310/1550 ± 20	20 ± 2	0.2	1.2	7.4
DFL-01X02-131/155-10	1310/1550 ± 20	10 ± 2	0.2	0.7	11.3
DFL-01X02-131/155-02	1310/1550 ± 20	2 ± 0.5	0.2	0.3	19.0
DFL-01X02-131/155-01	1310/1550 ± 20	1 ± 0.2	0.2	0.3	22.0



Copyright FCI.

spec ref		dr asir 2012/05/16		projection 	MM [INCH] 	size A4	scale N/A
tolerance std	TOLERANCES UNLESS OTHERWISE SPECIFIED					ecn no ELX-S-012106-1	
						rel level Released	
surface ✓	linear	0.X ±0.3		title COUPLER, MXN, SINGLEMODE DUAL WINDOW, 'FL' PACKAGE	dwg no DFL-MXN01	rev B	
		0.XX ±0.05					
		0.XXX ±					
angular	0° ±2°	www.fci.com	cat. no.	Product - Customer Drw		sheet 4 of 6	

PrdE File - REV C - 2009-06-09

TABLE A-2					
PART DESCRIPTOR	WAVELENGTH (nm)	COUPLING RATIO (%)	MAXIMUM EXCESS LOSS (dB)	THROUGHPORT INSERTION LOSS (dB)	TAP-PORT INSERTION LOSS (dB)
DFL-02X02-130/155-50	1300/1550 ± 20	50 ± 5	0.5	3.8	3.8
DFL-02X02-130/155-40	1300/1550 ± 20	40 ± 4	0.3	2.5	4.5
DFL-02X02-130/155-30	1300/1550 ± 20	30 ± 3	0.2	2.0	6.0
DFL-02X02-130/155-20	1300/1550 ± 20	20 ± 2	0.2	1.2	7.4
DFL-02X02-130/155-10	1300/1550 ± 20	10 ± 2	0.2	0.7	11.3
DFL-02X02-131/155-50	1310/1550 ± 20	50 ± 5	0.5	3.8	3.8
DFL-02X02-131/155-40	1310/1550 ± 20	40 ± 4	0.3	2.5	4.5
DFL-02X02-131/155-30	1310/1550 ± 20	30 ± 3	0.2	2.0	6.0
DFL-02X02-131/155-20	1310/1550 ± 20	20 ± 2	0.2	1.2	7.4
DFL-02X02-131/155-10	1310/1550 ± 20	10 ± 2	0.2	0.7	11.3
DFL-02X02-131/155-02	1310/1550 ± 20	2 ± 0.5	0.2	0.3	19.0
DFL-02X02-131/155-01	1310/1550 ± 20	1 ± 0.2	0.2	0.3	22.0



Copyright FCI.

spec ref		dr	asir	2012/05/16	projection 	MM [INCH]	size	A4	scale	N/A		
tolerance std	TOLERANCES UNLESS OTHERWISE SPECIFIED			eng			asir	2012/07/04	ecn no			ELX-S-012106-1
				chr			-	-	rel level			Released
surface		FCI			product family		DFL-MXN01			rev	B	
linear	0.X	±0.3	www.fci.com	cat. no.	Product - Customer Drw	sheet 5 of 6						
	0.XX	±0.05										
0.XXX	±											
angular	0°	±2°										

PrdE File - REV C - 2009-06-09

A

B

C

D

A

B

C

D

TABLE B			
CONNECTOR TYPE	POLISH TYPE	INSERTION LOSS / CONNECTOR (dB)	BACK REFLECTION (dB)
ST	PC	< = 0.35	> 40
	SPC	< = 0.35	> 45
	UPC	< = 0.35	> 50
	APC	Not Specified	Not Specified
FC	PC	< = 0.35	> 40
	SPC	< = 0.35	> 45
	UPC	< = 0.35	> 50
	APC	< = 0.5	> 60
SC	PC	< = 0.35	> 40
	SPC	< = 0.35	> 45
	UPC	< = 0.35	> 50
	APC	< = 0.5	> 60
LC	PC	< = 0.35	> 40
	SPC	< = 0.35	> 45
	UPC	< = 0.35	> 50
	APC	< = 0.5	> 60

NOTES:

- 1. PLEASE REFER TO COUPLER SPECIFICATION FOR INSERTION LOSS VALUES, AND ADD CONNECTOR INSERTION LOSS FROM TABLE.
- 2. LEAD LENGTH TOLERANCE: +10cm / -0cm OF NOMINAL LENGTH.
- 3. TEMPERATURE RANGE: -20° C TO +70° C



Copyright FCI.

spec ref		dr asir 2012/05/16		projection 	MM [INCH]	size A4	scale N/A
tolerance std	TOLERANCES UNLESS OTHERWISE SPECIFIED					ecn no ELX-S-012106-1	
						rel level Released	
surface <input checked="" type="checkbox"/>		linear	0.X ±0.3 0.XX ±0.05 0.XXX ±	product family		DFL-MXN01	rev B
		angular	0° ±2°	www.fci.com cat. no.			Product - Customer Drw