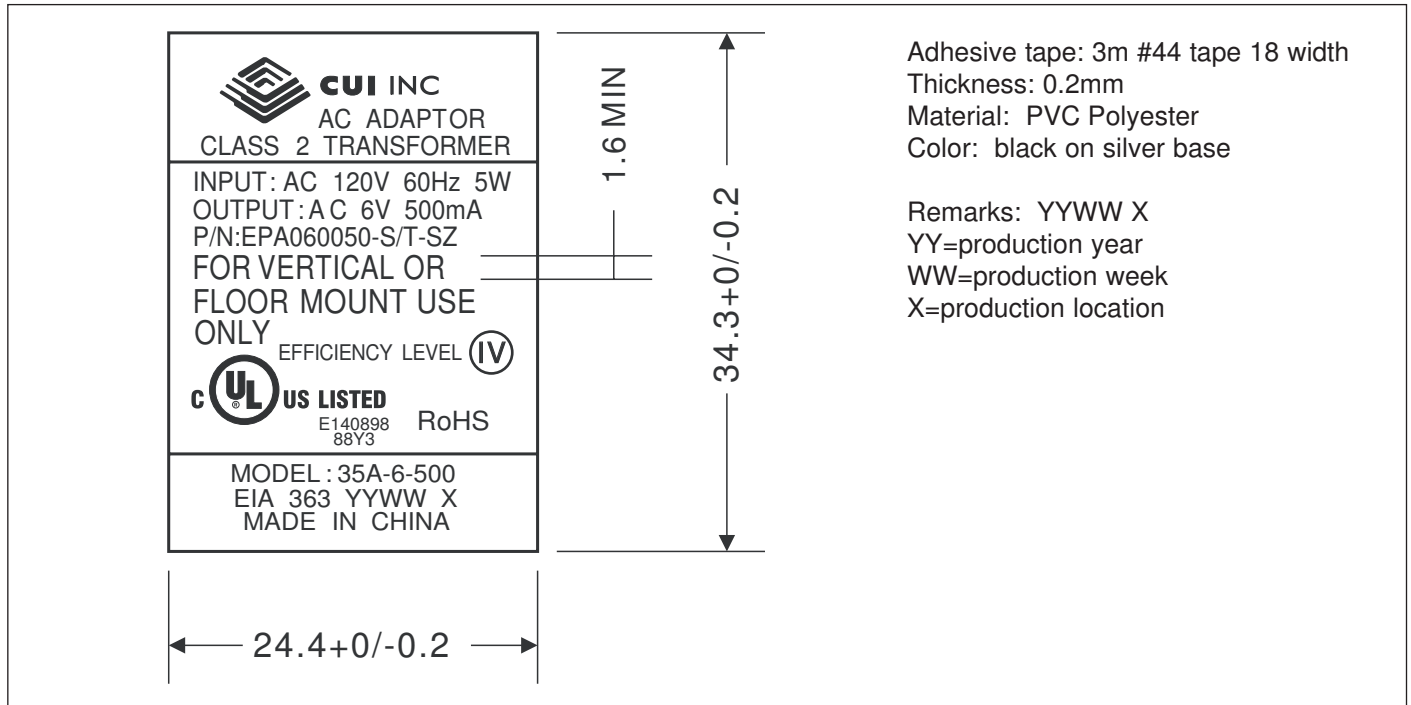



Specifications

Output voltage	6 V ac at 500 mA	
Rated input voltage	120 V ac	
Primary rated voltage	120 V ac 60 Hz 5 W	
Primary exciting current	30 mA rms max.	
Secondary rated voltage & current	no load voltage (max.)	7.5 V ref
	full load voltage (500 mA)	6 V \pm 5%
Temperature rise of primary winding (full load)	70°C max. using resistance method	
Insulation resistance	\geq 100 M Ohm at 500 V dc	
HI-POT test	from input to output for 1 min.	1240 V ac at 2 mA
	from input to output for 1 sec.	1600 V ac at 2 mA
	from primary to secondary winding for 1 sec.	1600 V ac at 2 mA
	from primary winding to core for 1 sec.	1600 V ac at 2 mA
	from secondary winding to core for 1 sec.	750 V ac at 2 mA
Safety standards	UL/cUL	
RoHS compliant	yes	
No load power consumption	0.5 W max.	
Efficiency	Energy Star Compliant - Efficiency Level IV	
Test conditions	Ambient temp	40°C \pm 2°C
	Humidity	90-95% 96 hours at Full Load
	Rated voltage	8 hours at full load
Adapter color	Case	black
	Cord	black



Label



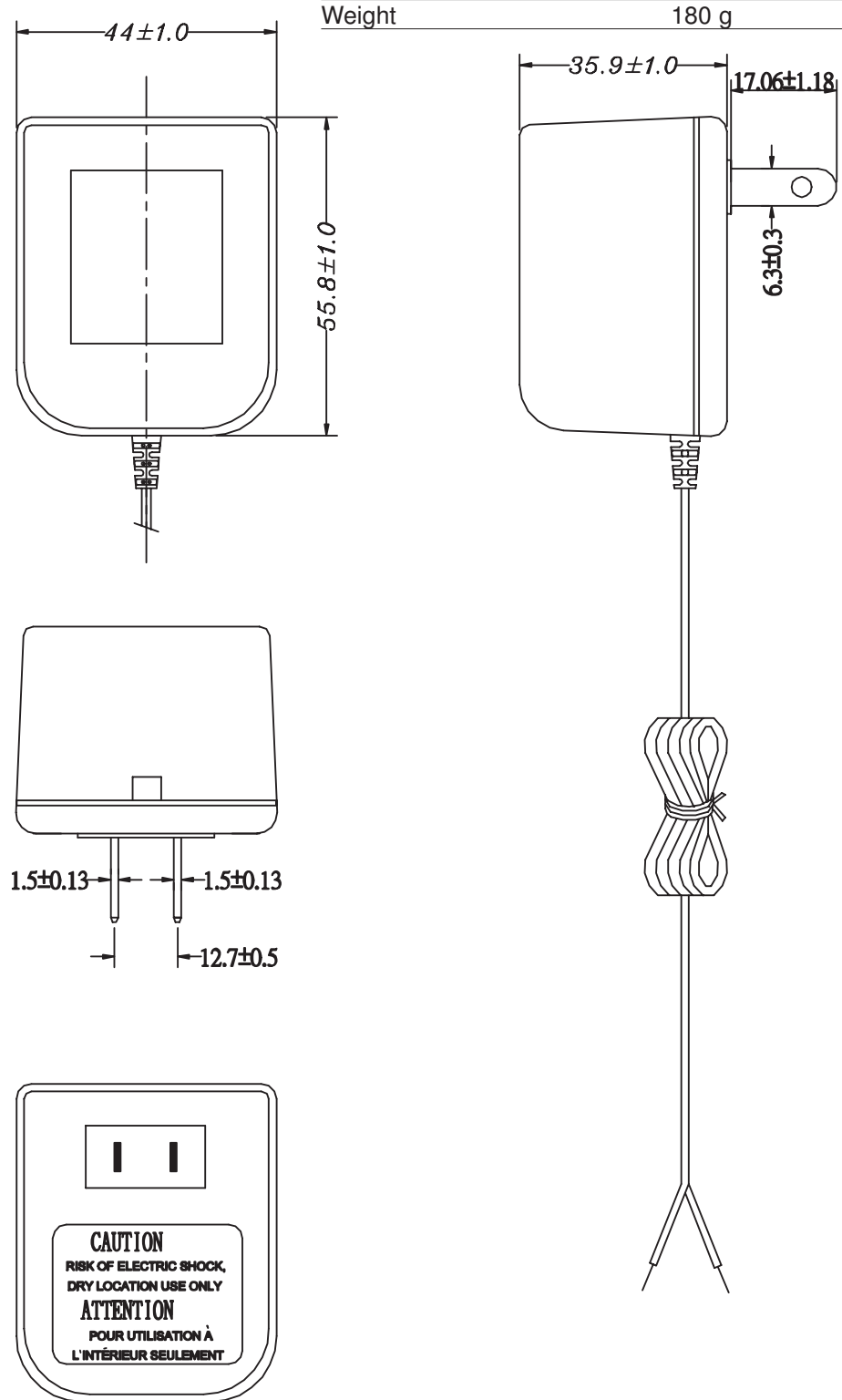
Adhesive tape: 3m #44 tape 18 width
 Thickness: 0.2mm
 Material: PVC Polyester
 Color: black on silver base

Remarks: YYWW X
 YY=production year
 WW=production week
 X=production location



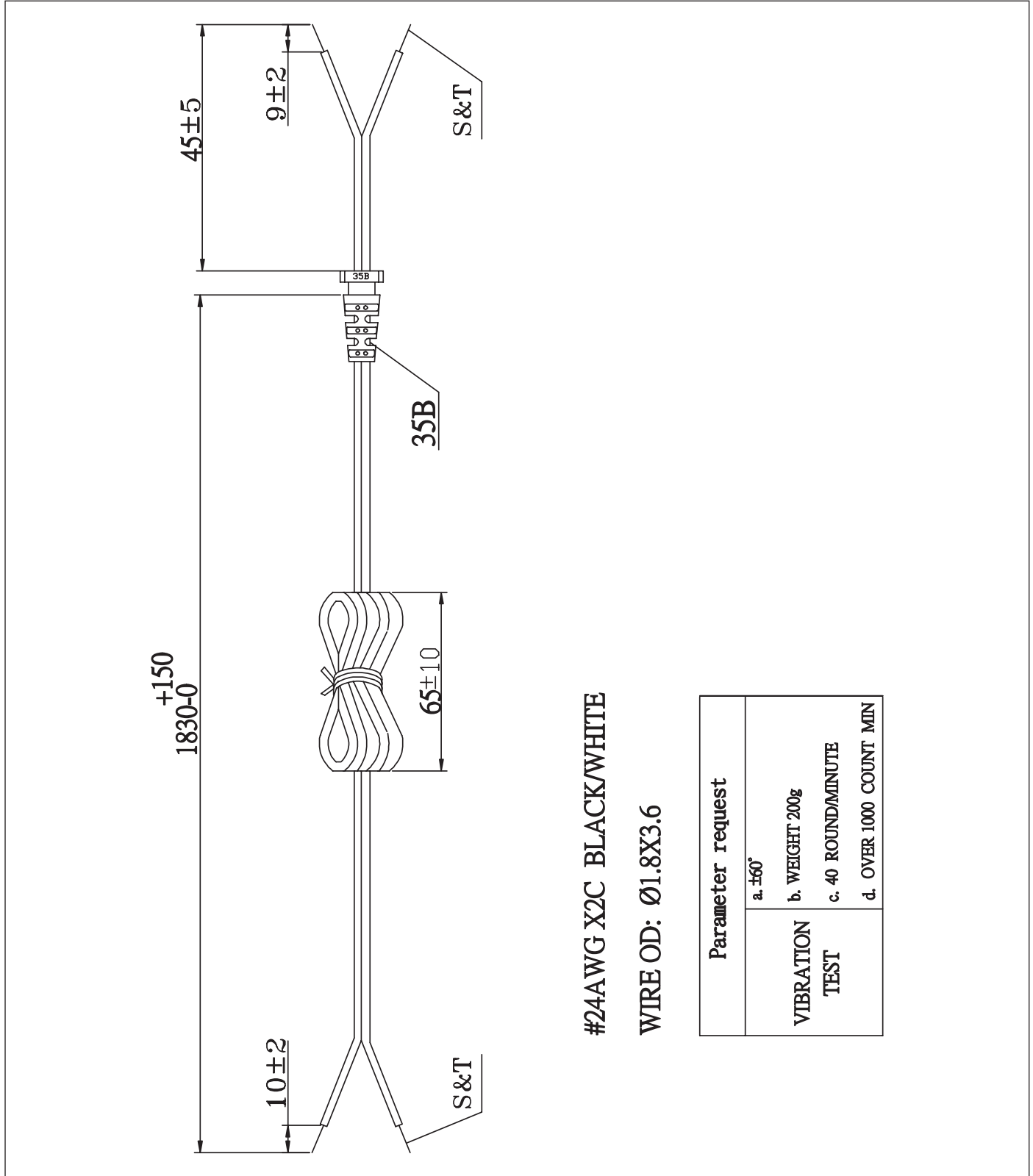
Mechanical Drawing

Tolerance: ± 1

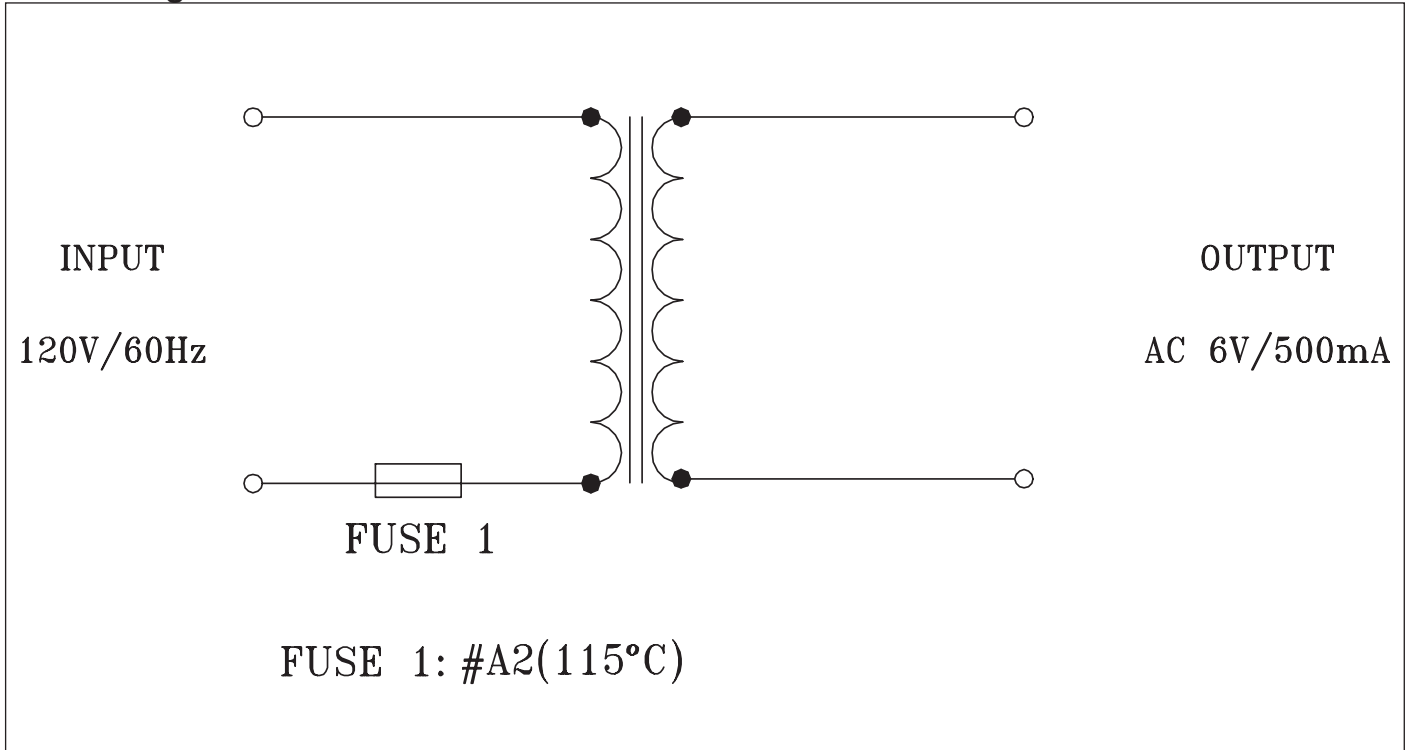
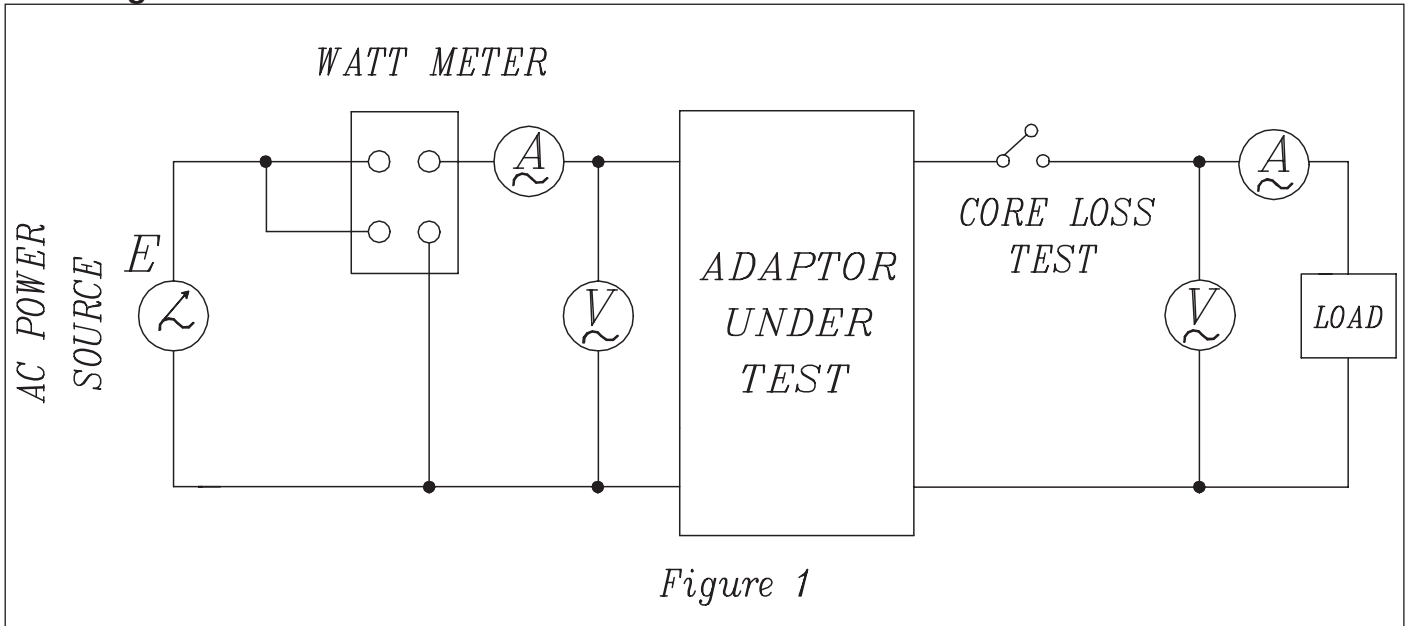


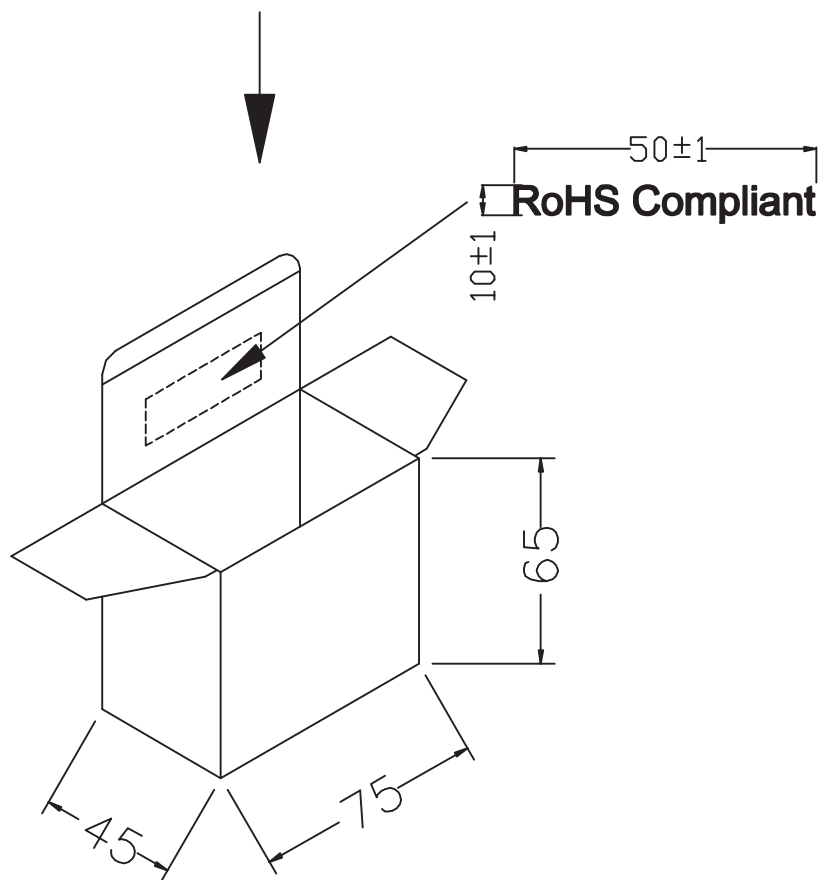
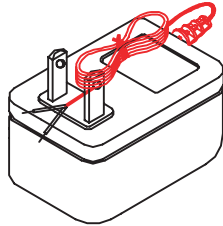


DC Cord



Parameter request	
VIBRATION TEST	a. ±60°
	b. WEIGHT 200g
	c. 40 ROUND/MINUTE
	d. OVER 1000 COUNT MIN

Circuit Diagrams

Test Diagram


Individual PackagingTolerance: ± 1 



Packaging

Tolerance: +7/-0

OUTSIDE CARTON:A=B(6mm)
INSIDE CARTON:A-B(3mm)
CARTON SIZE: 402X352X125mm
Q'TY: 50pcs(25X2)
N.W: 9 KGS
G.W: 10 KGS
G.W: 11 KGS

