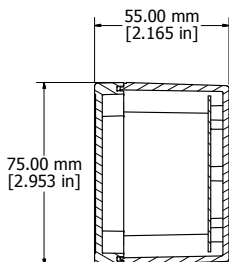
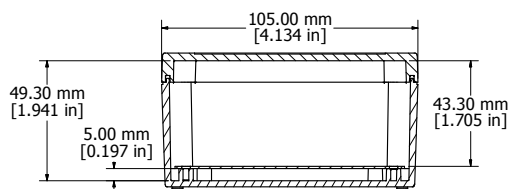


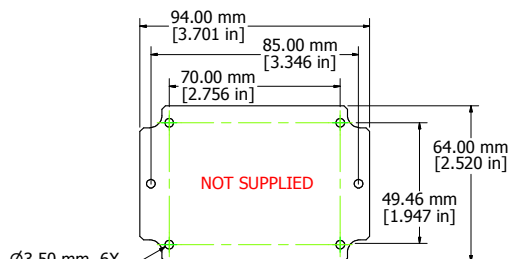
ASSEMBLY - TOP



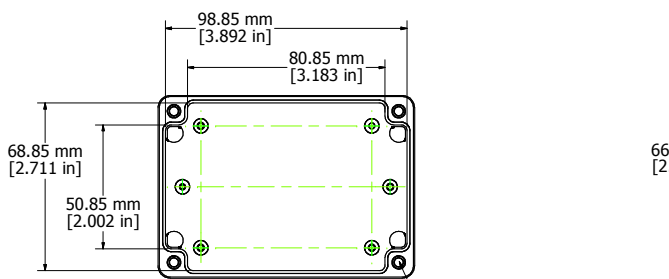
SECTION A-A



SECTION B-B

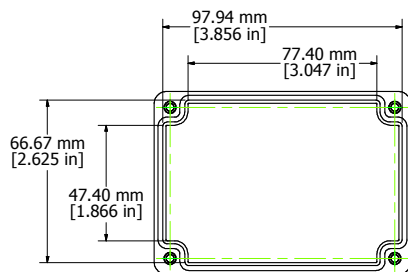


INNER PANEL

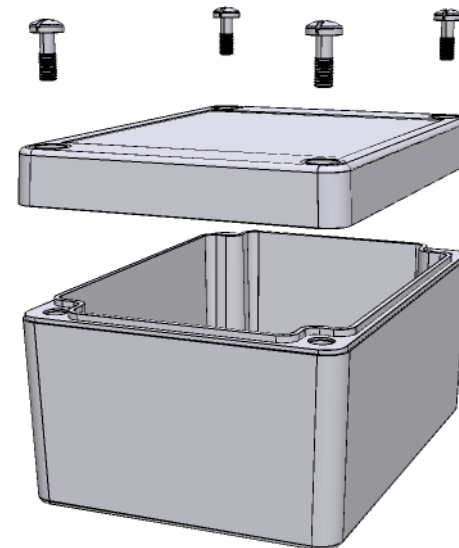


BOX - INSIDE

M3.5 Stainless Steel Lid Inserts
Type 304 Stainless 4X



LID - INSIDE



Enclosures can be Factory Modified (Milling, Drilling, Printing etc.)
Contact Factory mjm@hammondmfg.com for quotes
Solid models of this enclosure available in STEP or IGES.

RP1095
Material: ABS (UL94-HB), Light Gray Color
Lid Screws: M3.5 x 10, 304 Stainless
Gasket: EDPM Cord.
Circuit Board Screws, 4 Supplied (M3 self tap)
Suggested Lid Screw Torque: 30 ozf-in (21 cN-m)



**HAMMOND
MANUFACTURING™**

RP1095

www.hammondmfg.com