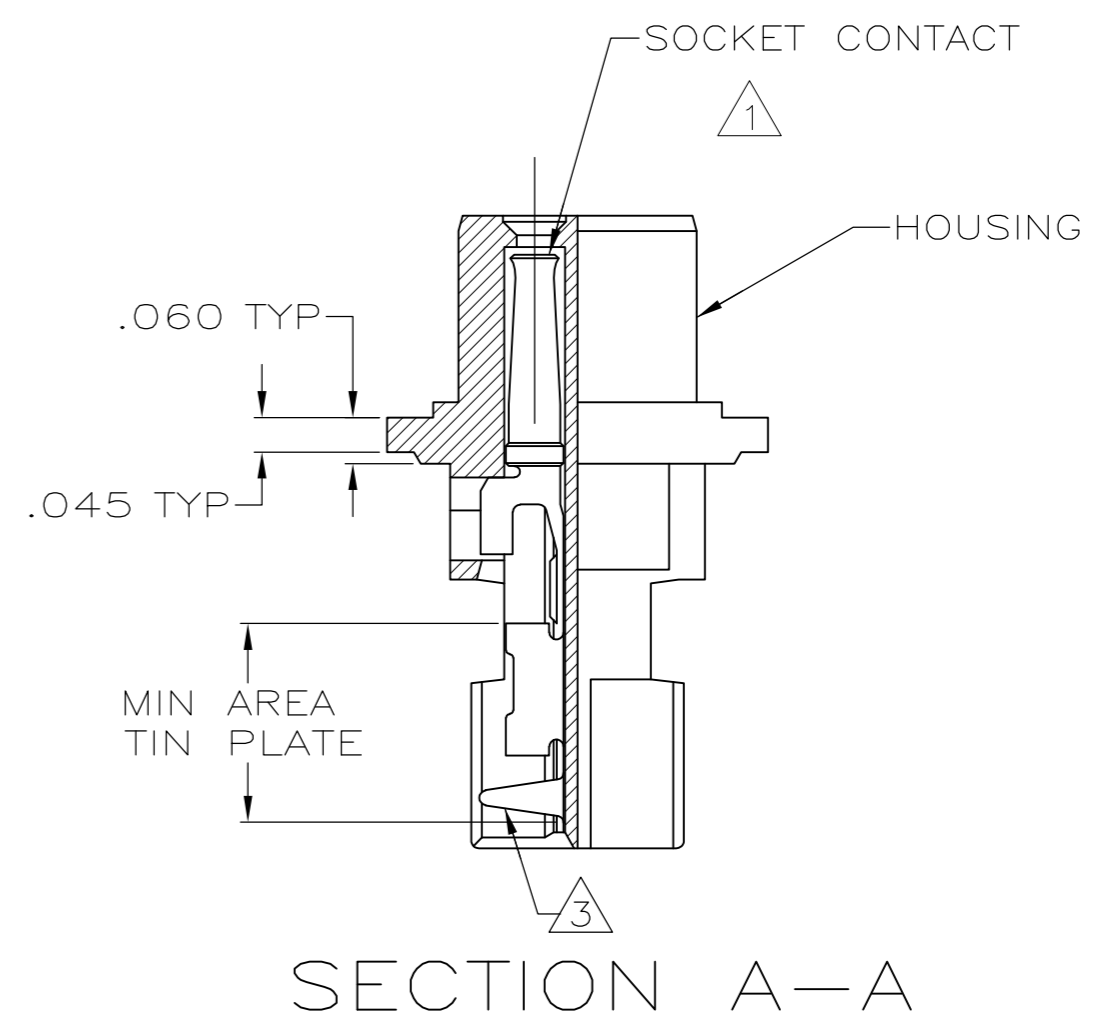
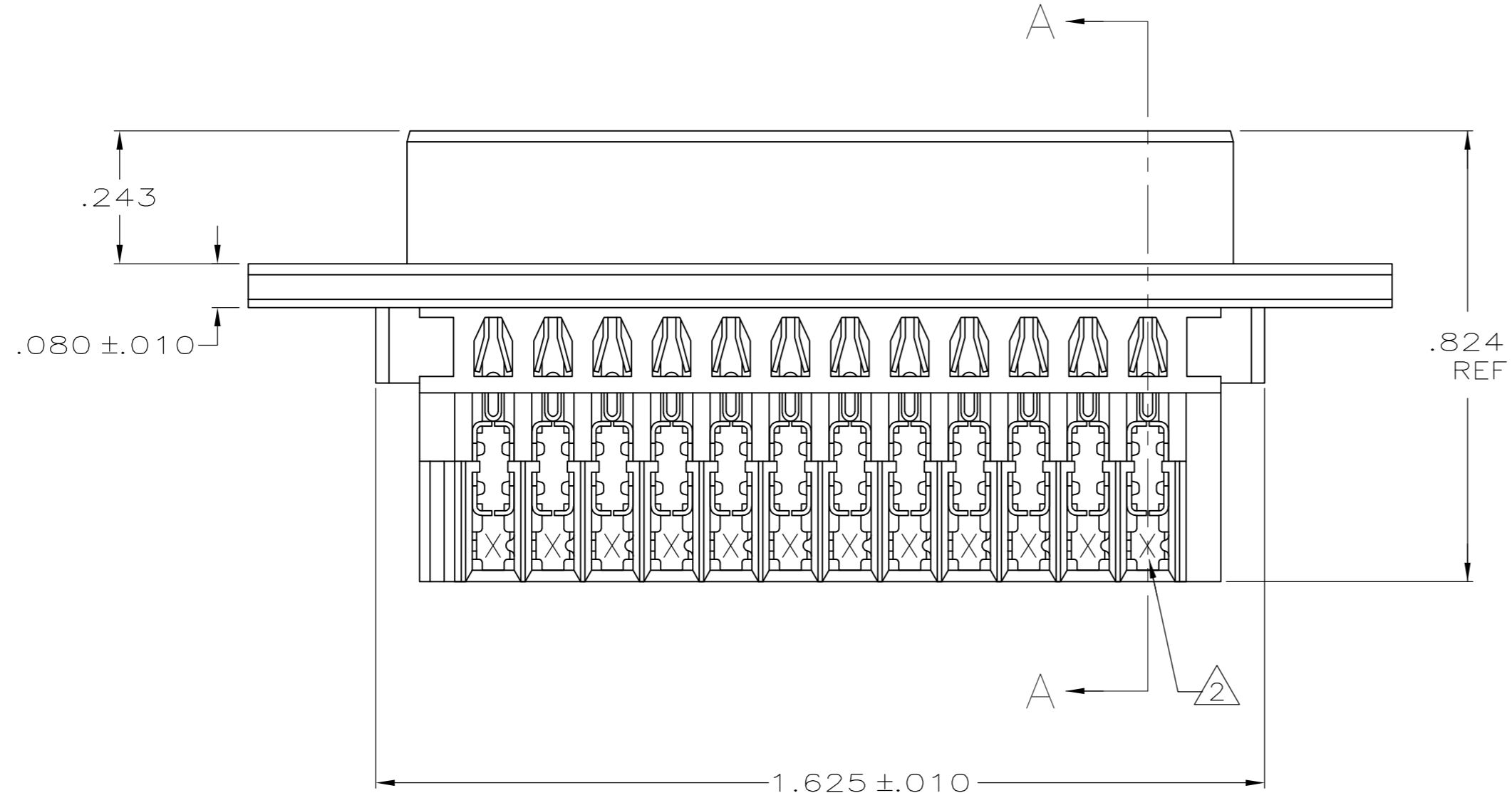
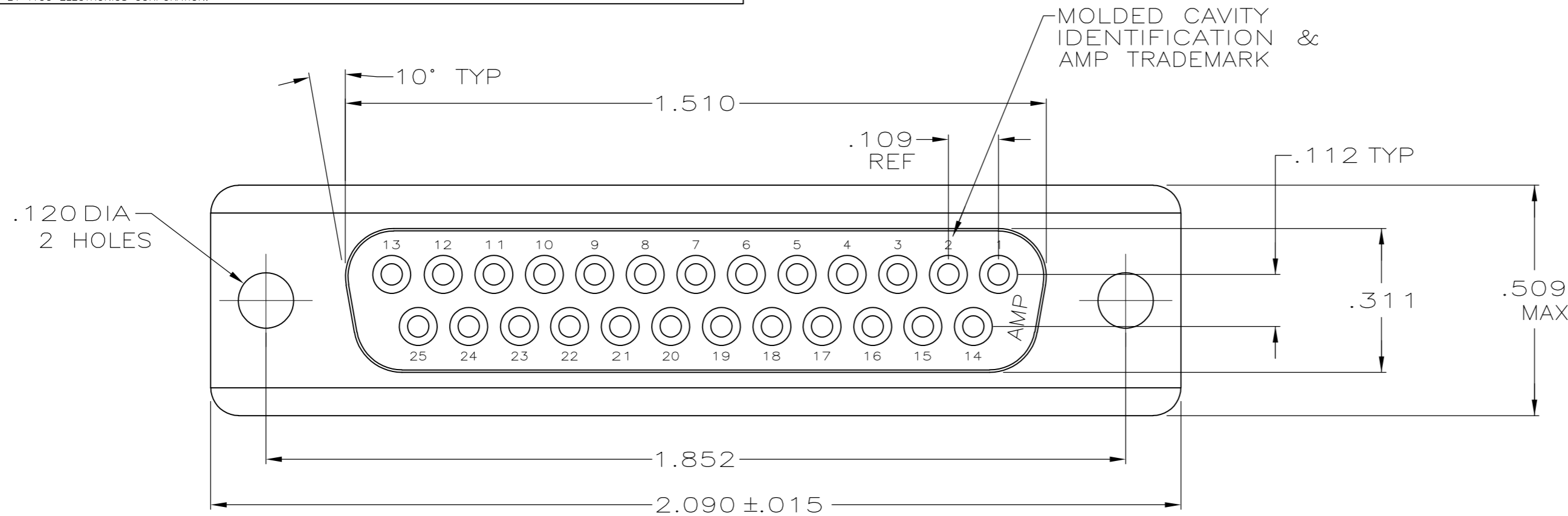


THIS DRAWING IS UNPUBLISHED. RELEASED FOR PUBLICATION  
 © COPYRIGHT BY TYCO ELECTRONICS CORPORATION. ALL RIGHTS RESERVED.

LOC	DIST	REVISIONS			
P	LTR	DESCRIPTION	DATE	DWN	APVD
GP	00	P2	REVISED PER ECO-07-008164	27JUL07	JDP/CWR



- ① HOUSING FULLY LOADED WITH CONTACTS.
- ② NUMBER ON CONTACT INDICATES WIRE RANGE.
- ③ CONTACT INSULATION RANGE: .060 MAXIMUM O.D.
- ④ CONTACTS PLATED .000030 GOLD ON MATING END FOR .100 MIN LENGTH. .000100-.000200 THICK BRIGHT TIN OR BRIGHT TIN-LEAD IN AREA SHOWN. .000050 THICK NICKEL UNDERPLATE ON ENTIRE CONTACT.
- ⑤ CONTACTS PLATED WITH GOLD FLASH ON MATING END FOR .100 MIN LENGTH. .000100-.000200 THICK BRIGHT TIN OR BRIGHT TIN-LEAD IN AREA SHOWN. .000030 THICK NICKEL UNDERPLATE ON ENTIRE CONTACT.
- ⑥ CONTACTS PLATED .000030 GOLD ON MATING END FOR .100 MIN LENGTH. .000100-.000200 THICK MATTE TIN IN AREA SHOWN. .000050 THICK NICKEL UNDERPLATE ON ENTIRE CONTACT.
- ⑦ CONTACTS PLATED WITH GOLD FLASH ON MATING END FOR .100 MIN LENGTH. .0001-.0002 THICK MATTE TIN PLATE IN AREA SHOWN. .000030 MIN NICKEL UNDERPLATE ON ENTIRE CONTACT.
- ⑧ HOUSING: BLACK THERMOPLASTIC 94V-0 RATED. CONTACTS: PHOSPHOR BRONZE.

FINISH	AWG WIRE RANGE	PART NUMBER
⑦	2	#22-26 745209-8
⑥	2	#22-26 745209-7
⑤	3	#20-22 745209-6
⑤	2	#22-26 745209-5
⑤	1	#26-30 745209-4
④	3	#20-22 745209-3
④	2	#22-26 745209-2
④	1	#26-30 745209-1

THIS DRAWING IS A CONTROLLED DOCUMENT.

DIMENSIONS: INCHES	TOLERANCES UNLESS OTHERWISE SPECIFIED:	DWN L. VARELA - DOCK5 11-15-04	CHK J. GERACE 11-15-04	APVD M. WALMSLEY 11-15-04	NAME
0 PLC ± -	1 PLC ± -	Tyco Electronics Corporation Harrisburg, PA 17105-3608			RECEPTACLE ASSEMBLY, SIZE 3, 25 POSITION, AMPLIMITE
2 PLC ± -	3 PLC ± .005	108-40011	114-40002	SIZE A2	
4 PLC ± -	ANGLES ± 2°	114-40002	114-40002	CAGE CODE 00779	DRAWING NO C=745209
MATERIAL ⑧	FINISH SEE TABLE	WEIGHT -	CUSTOMER DRAWING	SCALE 4:1	SHEET 1 of 1

745209