

CAT. NO. & DIMENSIONS

NO. OF CONTACTS (n)	CAT. NO.		DIMENSIONS (NOTE)	
	RIGHT ANGLE TYPE	STRAIGHT TYPE	A ±0.3	B ±0.1
3	HLD3R-2C8LF	HLD3S-2C8LF	7.30	5.16
4	HLD4R-2C8LF	HLD4S-2C8LF	8.55	6.41
5	HLD5R-2C8LF	HLD5S-2C8LF	9.80	7.66
6	HLD6R-2C8LF	HLD6S-2C8LF	11.05	8.91
7	HLD7R-2C8LF	HLD7S-2C8LF	12.30	10.16
8	HLD8R-2C8LF	HLD8S-2C8LF	13.55	11.41
9	HLD9R-2C8LF	HLD9S-2C8LF	14.80	12.66
10	HLD10R-2C8LF	HLD10S-2C8LF	16.05	13.91
11	HLD11R-2C8LF	HLD11S-2C8LF	17.30	15.16
12	HLD12R-2C8LF	HLD12S-2C8LF	18.55	16.41
13	HLD13R-2C8LF	HLD13S-2C8LF	19.80	17.66
14	HLD14R-2C8LF	HLD14S-2C8LF	21.05	18.91
15	HLD15R-2C8LF	HLD15S-2C8LF	22.30	20.16
16	HLD16R-2C8LF	HLD16S-2C8LF	23.55	21.41
17	HLD17R-2C8LF	HLD17S-2C8LF	24.80	22.66
18	HLD18R-2C8LF	HLD18S-2C8LF	26.05	23.91
19	HLD19R-2C8LF	HLD19S-2C8LF	27.30	25.16
20	HLD20R-2C8LF	HLD20S-2C8LF	28.55	26.41
21	HLD21R-2C8LF	HLD21S-2C8LF	29.80	27.66
22	HLD22R-2C8LF	HLD22S-2C8LF	31.05	28.91
23	HLD23R-2C8LF	HLD23S-2C8LF	32.30	30.16
24	HLD24R-2C8LF	HLD24S-2C8LF	33.55	31.41
25	HLD25R-2C8LF	HLD25S-2C8LF	34.80	32.66
26	HLD26R-2C8LF	HLD26S-2C8LF	36.05	33.91
27	HLD27R-2C8LF	HLD27S-2C8LF	37.30	35.16
28	HLD28R-2C8LF	HLD28S-2C8LF	38.55	36.41
29	HLD29R-2C8LF	HLD29S-2C8LF	39.80	37.66
30	HLD30R-2C8LF	HLD30S-2C8LF	41.05	38.91
31	HLD31R-2C8LF	HLD31S-2C8LF	42.30	40.16
32	HLD32R-2C8LF	HLD32S-2C8LF	43.55	41.41

CAT. NO.

SERIES NAME HLD (n) R -2C8 LF NOTE SEE PART DRAWINGS FOR DIMENSIONS A, B.
 NO. OF CONTACTS _____
 R : RIGHT ANGLE TYPE _____
 S : STRAIGHT TYPE _____
 VARIATION _____
 LEAD FREE _____



FCIconnect.com

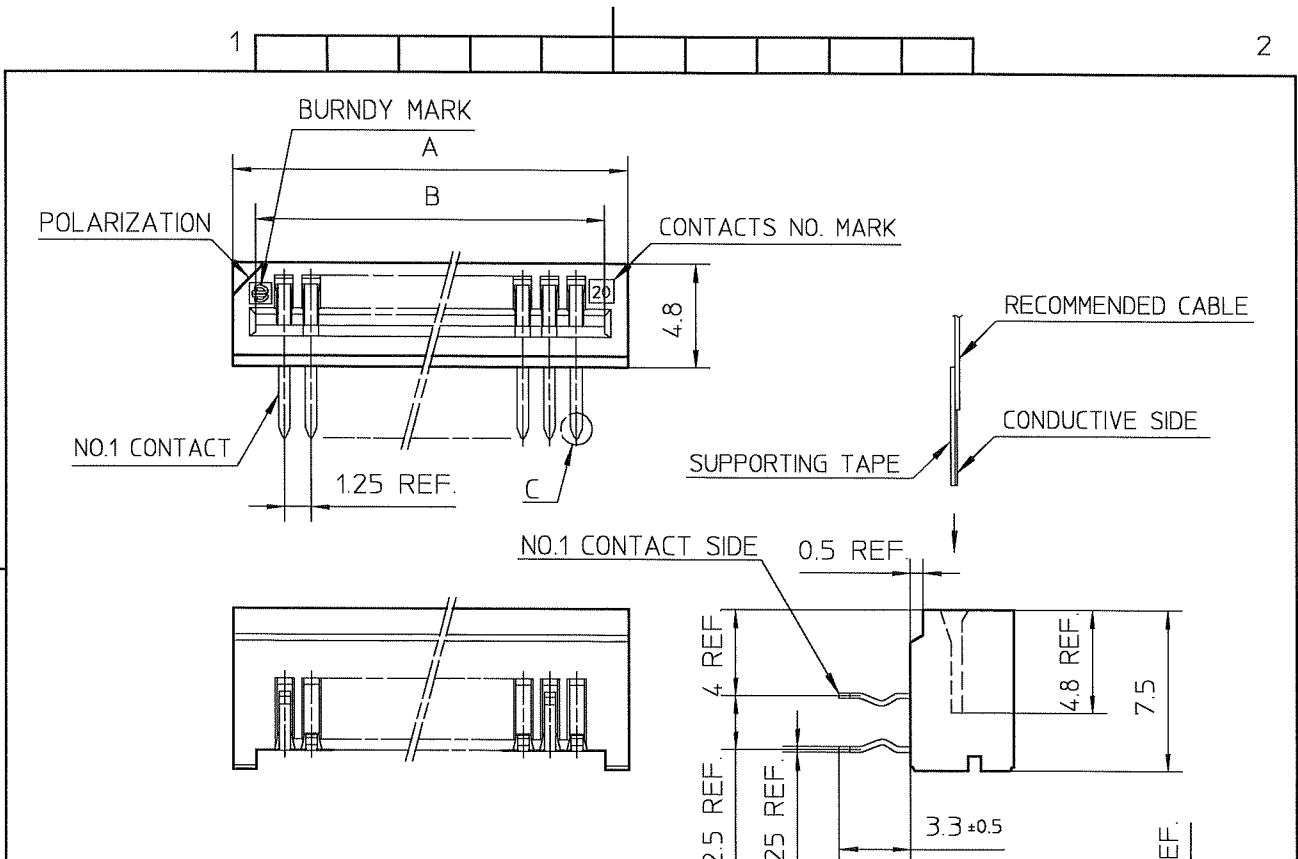
Copyright FCI

mat'l. code		surface ISO 1302 <input checked="" type="checkbox"/>		tolerance ISO 406 ISO 1101		projection		product family 58KF		
ltr	ecn no	dr	date	tolerances unless otherwise specified				title CAT. NO. TABLE FOR 1.25mm SPACING CONNECTOR (Cat. No. HLD_R/S-2C8LF)		
A	J05-0806	H.T	11/28/05	angles	linear					
B	J06-0500	H.T	11/28/06			scale X		dwg no JSA 96874 sheet 1 of 1 size A4		
		dr	<i>H. Takahara</i>	<i>11/28/06</i>			type Product Customer Drawing			
		enr	<i>H. Takahara</i>	<i>11/28/06</i>						
		chr	<i>K. Shouse</i>	<i>11/28/06</i>						
		appd	<i>S. Anderson</i>	<i>11/28/06</i>						
sheet index	revision sheet	B	1							Rev B



FCIconnect.com

Copyright FCI

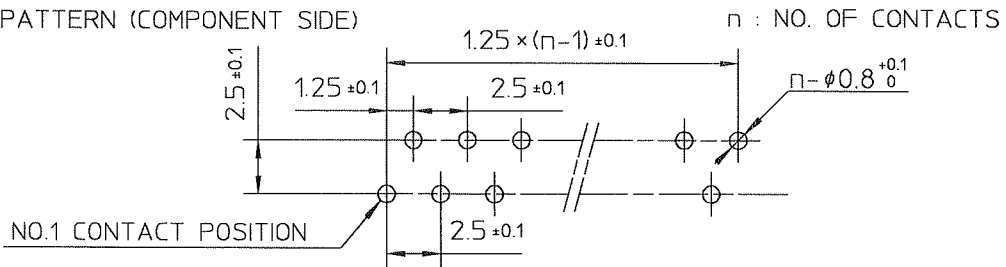


MATERIAL
 INSULATOR : PBT RESIN GRASS REIN FORCED (UL94V-0)
 COLOR : BLACK
 CONTACT : PHOSPHOR BRONZE
 PLATING : TIN

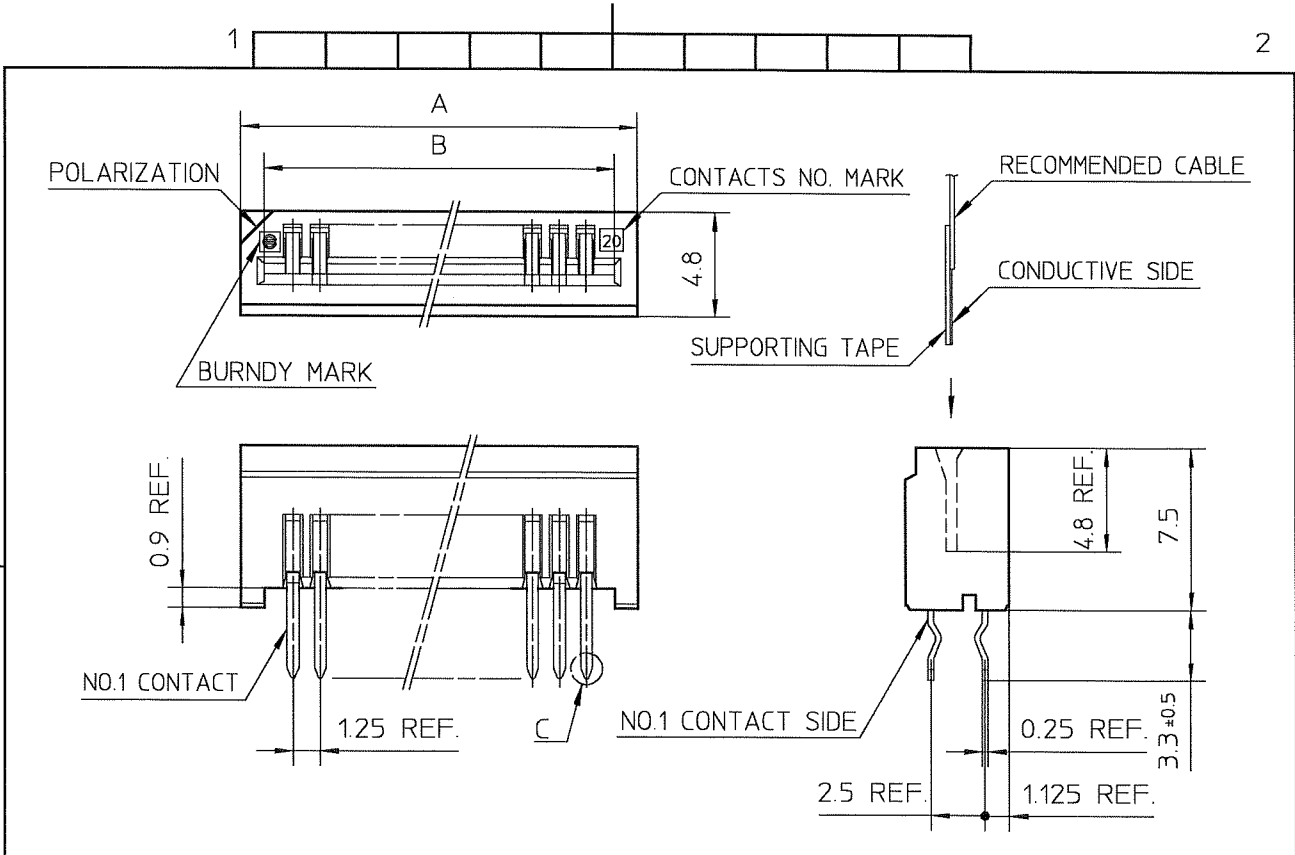
- NOTE
1. THIS PRODUCT IS RIGHT ANGLE TYPE CONNECTOR.
 2. THIS PRODUCT MEETS EUROPEAN UNION DIRECTIVES AND OTHER COUNTRY REGULATIONS AS DESCRIBED IN GS-22-008
 3. THE HOUSING WILL WITHSTAND EXPOSURE TO 260c PEAK TEMPERATURE FOR 10 SECONDS IN A WAVE SOLDER APPLICATION A 1.6mm THICK CIRCUIT BOARD.

RECOMMENDED PC BOARD

THICKNESS : 0.9~2.0
 HOLE PATTERN (COMPONENT SIDE)

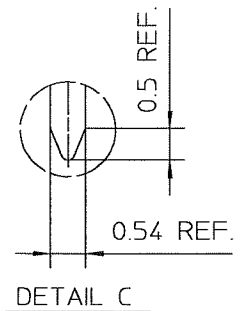


mat'l. code				surface ISO 1302 ✓		tolerance ISO 406 ISO 1101		projection		product family 58KF		
ltr	ecn no	dr	date	tolerances unless otherwise specified						title 1.25mm SPACING CONNECTOR FOR FPC/FFC (Cat. No. HLD__R-2C8LF)		
A	J05-0806	H.T	11/28/05	angles	linear ±0.2							
B	J06-0500	H.T	11/28/06					scale X		dwg no JSA 96875 sheet 1 of 1 size A4		
				dr	11/28/06					type Product Customer Drawing		
				enr	11/28/06							
				chr	11/28/06							
				appd	11/28/06							
sheet index	revision sheet	B	1									Rev B



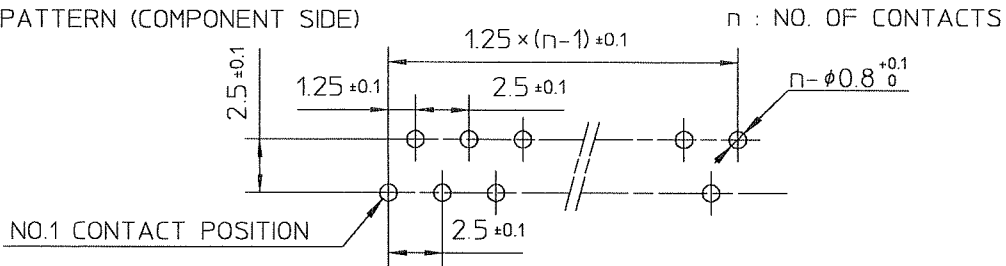
MATERIAL
 INSULATOR : PBT RESIN GRASS REIN FORCED (UL94V-0)
 COLOR : BLACK
 CONTACT : PHOSPHOR BRONZE
 PLATING : TIN

- NOTE
1. THIS PRODUCT IS STRAIGHT TYPE CONNECTOR.
 2. THIS PRODUCT MEETS EUROPEAN UNION DIRECTIVES AND OTHER COUNTRY REGULATIONS AS DESCRIBED IN GS-22-008
 3. THE HOUSING WILL WITHSTAND EXPOSURE TO 260°C PEAK TEMPERATURE FOR 10 SECONDS IN A WAVE SOLDER APPLICATION A 1.6mm THICK CIRCUIT BOARD.



RECOMMENDED PC BOARD

THICKNESS : 0.9~2.0
 HOLE PATTERN (COMPONENT SIDE)



mat'l. code				surface ISO 1302 ✓		tolerance ISO 406 ISO 1101		projection 		product family 58KF		
ltr	ecn no	dr	date	tolerances unless otherwise specified				scale X		title 125mm SPACING CONNECTOR FOR FPC/FCC (Cat. No. HLD_S-2C8LF)		
A	J05-0806	H.T	11/28/05	angles	linear							±0.2
B	J06-0500	H.T	11/28/06							dwg no JSA 96876		
				dr	<i>H. S. Brown</i>		<i>11/28/06</i>		sheet 1 of 1		size	
				enr	<i>H. S. Brown</i>		<i>11/28/06</i>		type Product Customer Drawing		A4	
				chr	<i>R. Brown</i>		<i>11/28/06</i>					
				appd	<i>S. Madam</i>		<i>11/28/06</i>					
sheet index	revision	B										Rev
	sheet	1										B

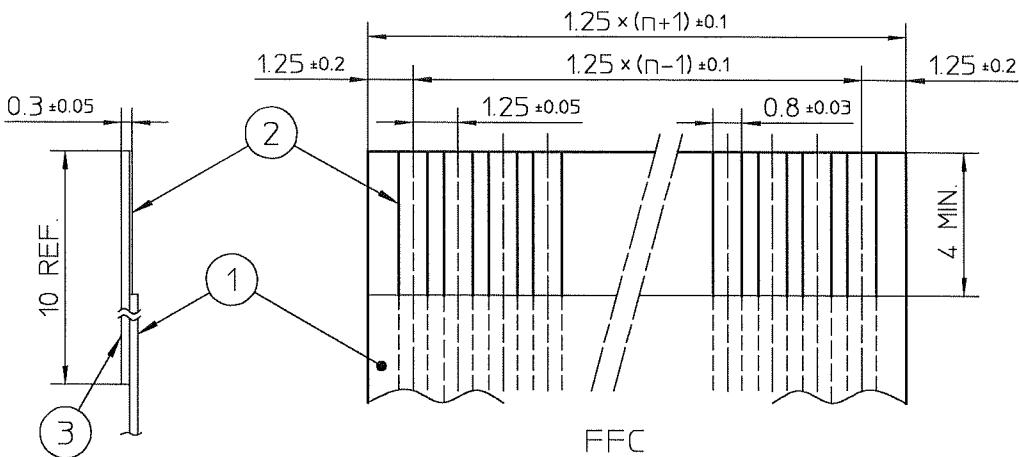
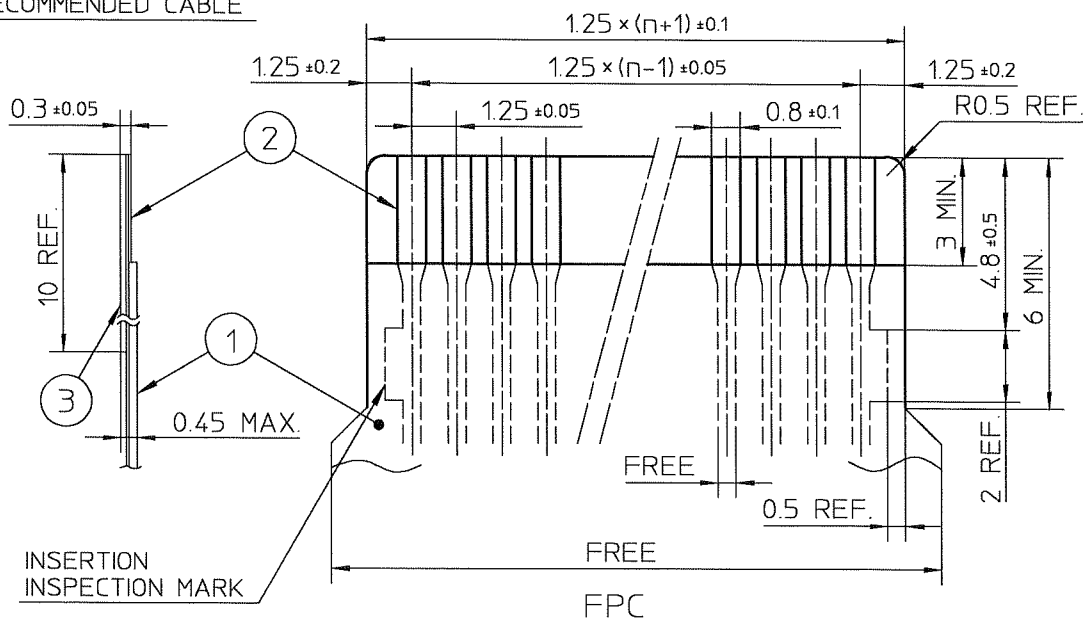


FCIconnect.com

Copyright FCI

RECOMMENDED CABLE

n : NO. OF CONDUCTOR



PT. NO.	PARTS NAME	MATERIAL	
		FPC	FFC
1	INSULATOR	POLYIMIDE OR EQUAL	POLYESTER OR EQUAL
2	CONDUCTOR	COPPER FOIL (PLATING : SOLDER 1μm MIN.)	COPPER FOIL (PLATING : TIN OR SOLDER 1μm MIN.)
3	SUPPORTING TAPE	POLYESTER OR EQUAL	

NOTES

1. NO BURR AT EACH PORTION.
2. NO PEELING IN COMMON USE.

mat'l. code				surface ISO 1302 <input checked="" type="checkbox"/> ISO 406 ISO 1101		tolerance		projection		product family 58KF			
ltr	ecn no	dr	date	tolerances unless otherwise specified						title RECOMMENDED CABLE (Cat. No. HLD__R/S-2__)			
A	J06-0500	H.T	11/28/06	angles	linear	scale X							
				dr	<i>H. Jitendra</i>	11/28/06			dwg no		sheet 1 of 1	size	
				enr	<i>H. Jitendra</i>	11/28/06			JSA 92653		A4		
				chr	<i>R. Shouji</i>	11/28/06			type		Product Customer Drawing		
				appd	<i>S. Madan</i>	11/28/06							
sheet index	revision sheet	A	1									Rev	A



FCIconnect.com

Copyright FCI