

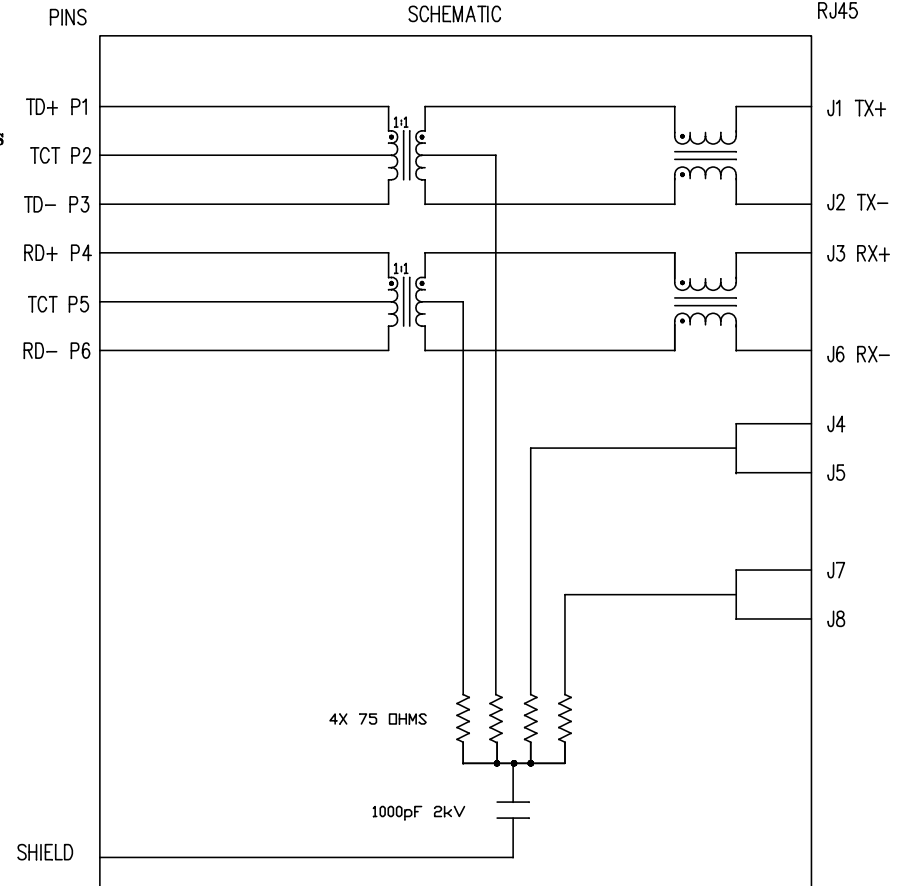
THE INFORMATION CONTAINED HEREIN IS CONSIDERED "PROPRIETARY" TO BEL FUSE INC. AND SHALL NOT BE COPIED, REPRODUCED OR DISCLOSED WITHOUT THE WRITTEN APPROVAL OF BEL FUSE INC.

RoHS  
2002/95/EC



**ELECTRICAL CHARACTERISTICS @ 25°C**

- 1.0 TURNS RATIO: (P6-P5-P4) : (J6-J3) : 1CT : 1CT ± 3%  
(P3-P2-P1) : (J2-J1) : 1CT : 1CT ± 3%
- 2.0 INDUCTANCE: (P6-P4) : 350uH MIN. @ 0.1V, 100KHz, 8mA DC Bias  
(P3-P1) : 350uH MIN. @ 0.1V, 100KHz, 8mA DC Bias
- 3.0 LEAKAGE INDUCTANCE: P6-P4 (WITH J6 AND J3 SHORT) : 0.3 MAX. @ 1MHz  
P3-P1 (WITH J2 AND J1 SHORT) : 0.3 MAX. @ 1MHz
- 4.0 INTERWINDING CAPACITANCE: (P6,P5,P4) TO (J6,J3) : 30pF MAX @ 1MHz  
(P3,P2,P1) TO (J2,J1) : 30pF MAX. @ 1MHz
- 5.0 DC RESISTANCE: (J6-J3)=(J2-J1) : 1.2 ohms Max.
- RECEIVE
- 6.0 RETURN LOSS: 1MHz TO 30MHz : 18dB MIN.  
60MHz TO 80MHz : 12dB MIN.  
NOTE: 100 OHMS CONNECTED TO (J2-J1) OR (J6-J3).
- 7.0 DIELECTRIC WITHSTAND: (J1, J2) TO (P1, P3) : 1500 Vrms  
(J3, J6) TO (P4,P6) : 1500 Vrms
- 8.0 INSERTION LOSS:  $R_S=R_L=100$  ohms : 1.1 dB TYP  
100KHz TO 100MHz
- 9.0 RISE TIMERS= $100$  OHMS AND  $R_L = 100$  OHMS : 3.0 nS MAX  
OUTPUT VOLTAGE = 1 V peak : 3.0 nS MAX  
PULSE WIDTH= 112nS
- 10.0 CROSS TALK: 1MHz TO 100MHz : 40 dB TYP
- 11.0 COMMON TO COMMON MODE ATTENUATION:  
30MHz TO 100MHz: 35dB TYP



NOTES

1.0 PINS WITHOUT ELECTRICAL CONNECTION ARE OMITTED.

ORIGINATED BY	DATE	TITLE	PART NO. / DRAWING NO.	STANDARD DIM.	[ ] METRIC DIM. AS REFERENCE		 COMPONENTS FOR A CONNECTED PLANET
Bain Liu	08-31-09	<b>MagJack®</b> 10/100BT TAB DOWN, SHIELDED PATENTED	SI-60126-F	TOL. IN INCH	UNIT : INCH [mm]	REV. : A0	
DRAWN BY	DATE		FILE NAME	.X	SCALE : N/A	SIZE : A4	
Bain Liu	08-31-09		SI-60126-F.DWG	.XX		PAGE : 2	
				.XXX		±0.005	

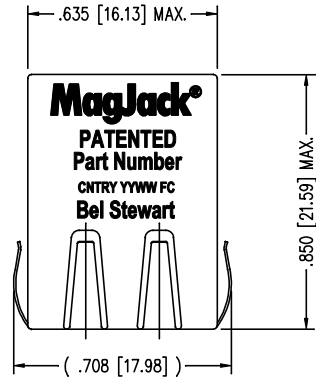
THE INFORMATION CONTAINED HEREIN IS CONSIDERED "PROPRIETARY" TO BEL FUSE INC. AND SHALL NOT BE COPIED, REPRODUCED OR DISCLOSED WITHOUT THE WRITTEN APPROVAL OF BEL FUSE INC.

RoHS  
2002/95/EC

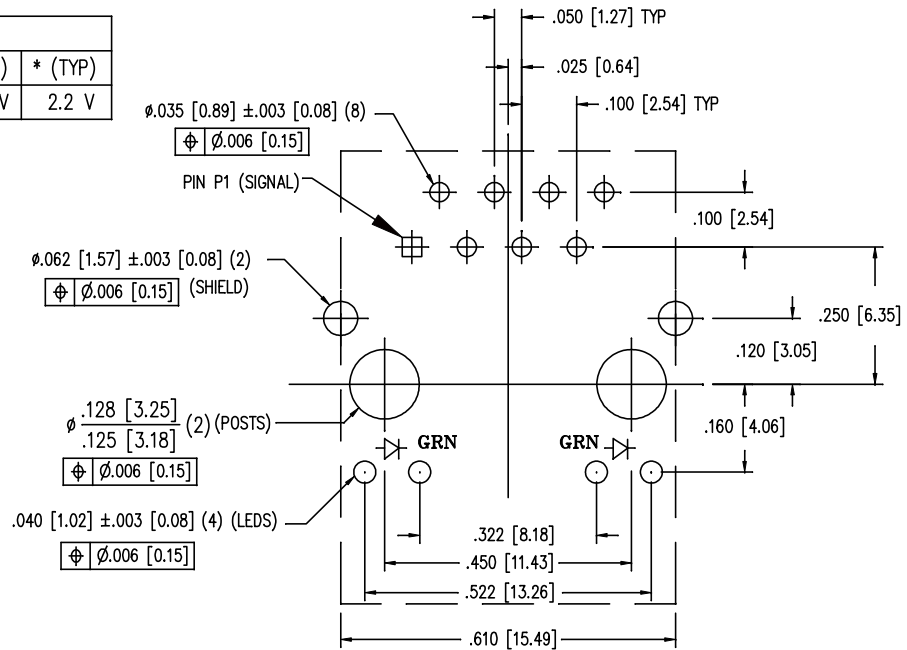


LED SPECIFICATION			
STANDARD LED	WAVELENGTH	Forward V (MAX)	* (TYP)
GREEN	565 nm	2.5 V	2.2 V

\*WITH A FORWARD CURRENT OF 20 mA (TYP)



**MagJack**  
PATENTED  
Part Number  
CNTRY YYWW FC  
Bel Stewart

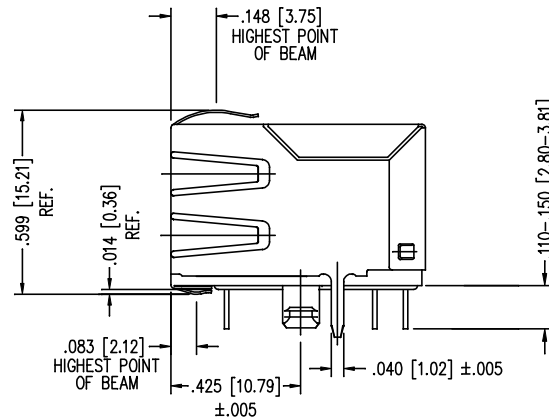
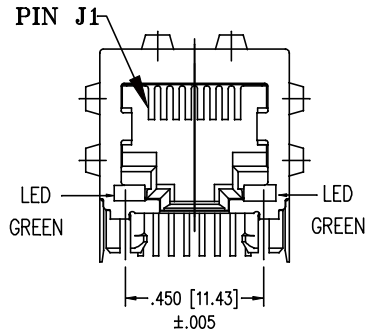


P.C.B. RECOMMENDED HOLE LAYOUT  
SEEN FROM COMPONENT SIDE

ALL CENTERLINE DIMENSIONS ARE BASIC.

NOTES:

- CONNECTOR MATERIALS:  
HOUSING: THERMOPLASTIC UL94 V-0  
CONTACT/SHIELD: COPPER ALLOY  
SHIELD PLATING: NICKEL OR TIN  
CONTACT PLATING: SELECTIVE GOLD,  
50 MICRO-INCHES MIN. IN CONTACT AREA.
- PIN NOT ELECTRICALLY CONNECTED MAYBE OMITTED.  
SEE ELECTRICAL DRAWING FOR OMITTED PINS.
- TOLERANCES COMPLY WITH F.C.C. DIMENSION REQUIREMENTS.
- ALL TOLERANCES NOT OTHERWISE SPECIFIED TO BE ±0.005 [0.13]
- WAVE SOLDER COMPATIBLE - PREHEAT 125°C/90SECS.



ORIGINATED BY	DATE	TITLE
Bain Liu	08-31-09	<b>MagJack</b> 10/100BT TAB DOWN, SHIELDED PATENTED
DRAWN BY	DATE	
Bain Liu	08-31-09	

PART NO. / DRAWING NO.	STANDARD DIM.	[ ] METRIC DIM. AS REFERENCE	
SI-60126-F	TOL. IN INCH	UNIT : INCH [mm]	REV. : A0
FILE NAME	.X	SCALE : N/A	SIZE : A4
SI-60126-F.DWG	.XX		PAGE : 3
	.XXX		±0.005

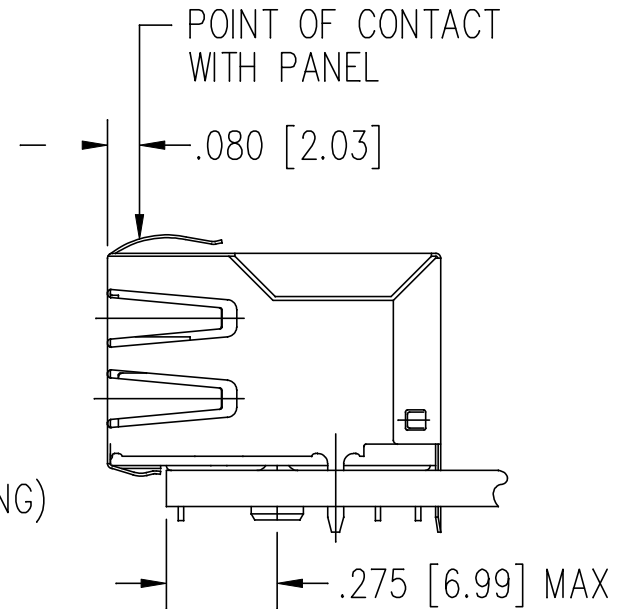
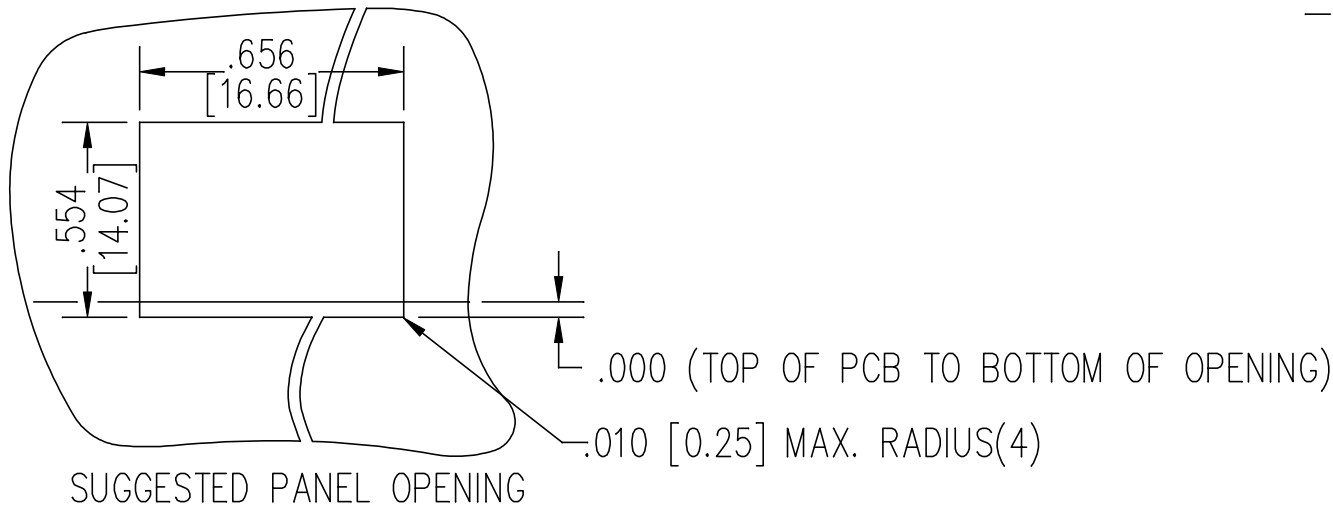
STANDARD DIM.	[ ] METRIC DIM. AS REFERENCE
TOL. IN INCH	UNIT : INCH [mm]
.X	SCALE : N/A
.XX	SIZE : A4
.XXX	PAGE : 3

STANDARD DIM.	[ ] METRIC DIM. AS REFERENCE
TOL. IN INCH	UNIT : INCH [mm]
.X	SCALE : N/A
.XX	SIZE : A4
.XXX	PAGE : 3



THE INFORMATION CONTAINED HEREIN IS CONSIDERED "PROPRIETARY" TO BEL FUSE INC. AND SHALL NOT BE COPIED, REPRODUCED OR DISCLOSED WITHOUT THE WRITTEN APPROVAL OF BEL FUSE INC.

RoHS  
2002/95/EC



1. THE SUGGESTED PANEL OPENING IS INTENDED TO GIVE THE USER THE ABILITY TO HAVE REASONABLE JACK / PANEL CLEARANCES YET MAINTAIN RELIABLE GROUNDING CAPABILITY.
2. ALL TOLERANCES NOT OTHERWISE SPECIFIED TO BE  $\pm 0.005$  [0.13]

ORIGINATED BY <b>Bain Liu</b>	DATE <b>08-31-09</b>	TITLE <b>MagJack® 10/100BT TAB DOWN, SHIELDED PATENTED</b>	PART NO. / DRAWING NO. <b>SI-60126-F</b>	STANDARD DIM. TOL. IN INCH	[ ] METRIC DIM. AS REFERENCE	<b>bel</b> COMPONENTS FOR A CONNECTED PLANET
DRAWN BY <b>Bain Liu</b>	DATE <b>08-31-09</b>	FILE NAME <b>SI-60126-F.DWG</b>	.X	UNIT : INCH [mm]	REV. : <b>A0</b>	
			.XX	SCALE : <b>N/A</b>	SIZE : <b>A4</b>	
			.XXX	$\pm 0.005$	PAGE : <b>4</b>	