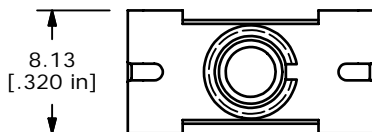
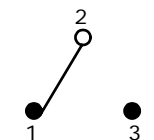


P.C. MOUNTING



8.13  
[.320 in]

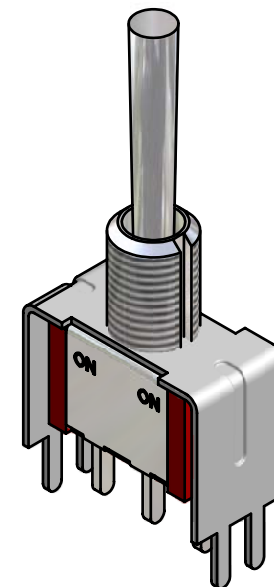
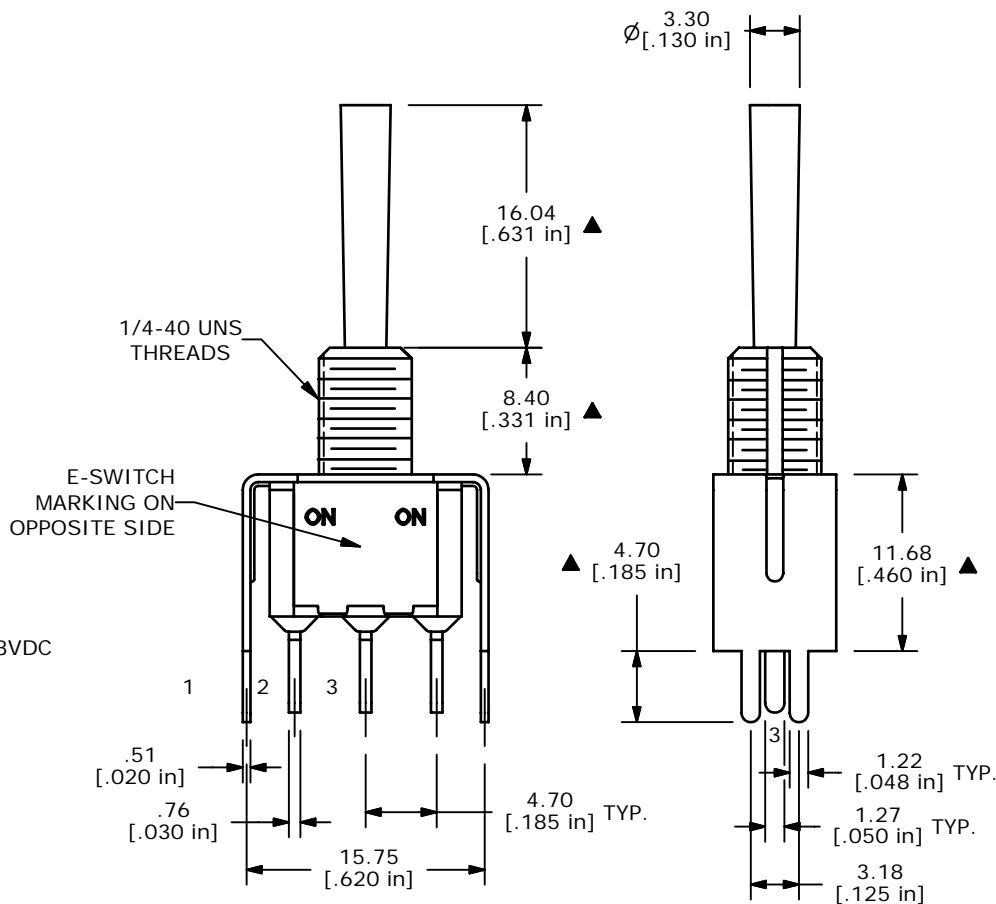
SWITCH FUNCTION		
POS. 1	POS. 1	POS. 1
ON	NONE	ON
2-3	OPEN	2-1



CIRCUIT: SPST

NOTE:

1. ALL DIMENSIONS IN MM [INCH]
2. GENERAL TOLERANCE: X.X=±0.4  
X.XX=±0.25
3. TERMINAL NUMBERS FOR REF ONLY
- ▲ 4. PLATING MATERIAL: SILVER
5. RATING: 5 AMPS W/RESISTIVE LOAD @ 120VAC OR 28VDC  
2 AMPS W/RESISTIVE LOAD @ 250VAC
6. ELECTRIC LIFE: 40,000 make-and-break cycles at full load.
7. INSULATION RESISTANCE: 1,000 Mega-ohm min.
8. DIELECTRIC STRENGTH: 1,000 V RMS @sea level.
9. OPERATING TEMP.: -30°C to 85°C
10. ▲ DENOTES CRITICAL PARAMETER.
11. 2002/95/EC (ROHS) COMPLIANT
12. HARDWARE TO BE SUPPLIED BULK:  
T100011-LOCK WASHER QTY-1  
T100015-LOCK RING QTY-1  
T100000-HEX NUT QTY-2



ISOMETRIC

**E-SWITCH®**

B	15790	EDIT TOGGLE DIA.	2/17/06	PH
A	15517	RELEASE	11/9/05	PH
REV	PCR NO	DESCRIPTION	DATE	BY

TITLE 100SP1T4B1VS2QEH				
SCALE	DATE	DR	DWG	REV
2:1	9/11/2005	PH	ST111039	B

THE INFORMATION CONTAINED IN THIS DOCUMENT IS PROPRIETARY TO E-SWITCH AND IS NOT TO BE COPIED OR TRANSFERRED