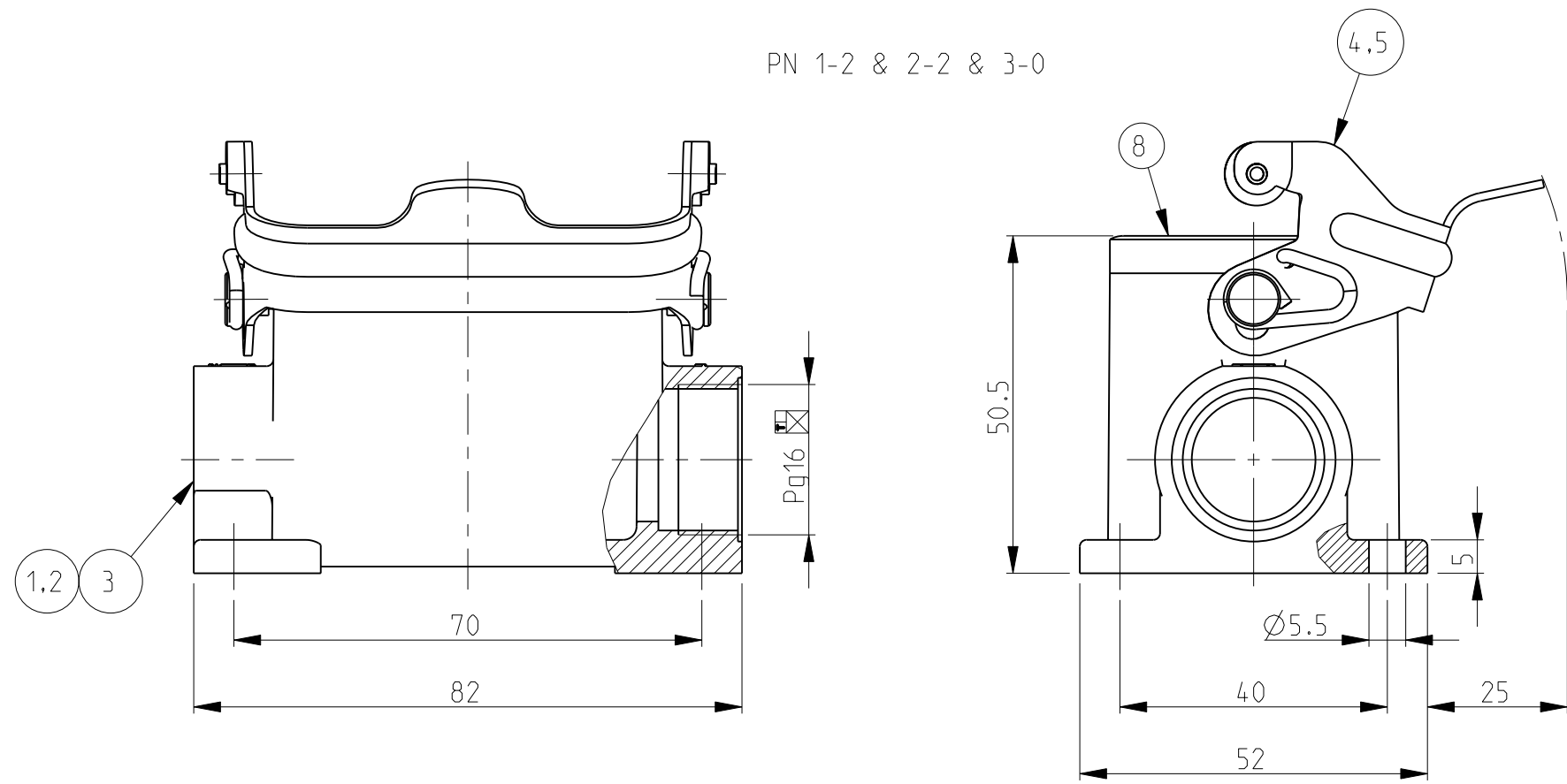


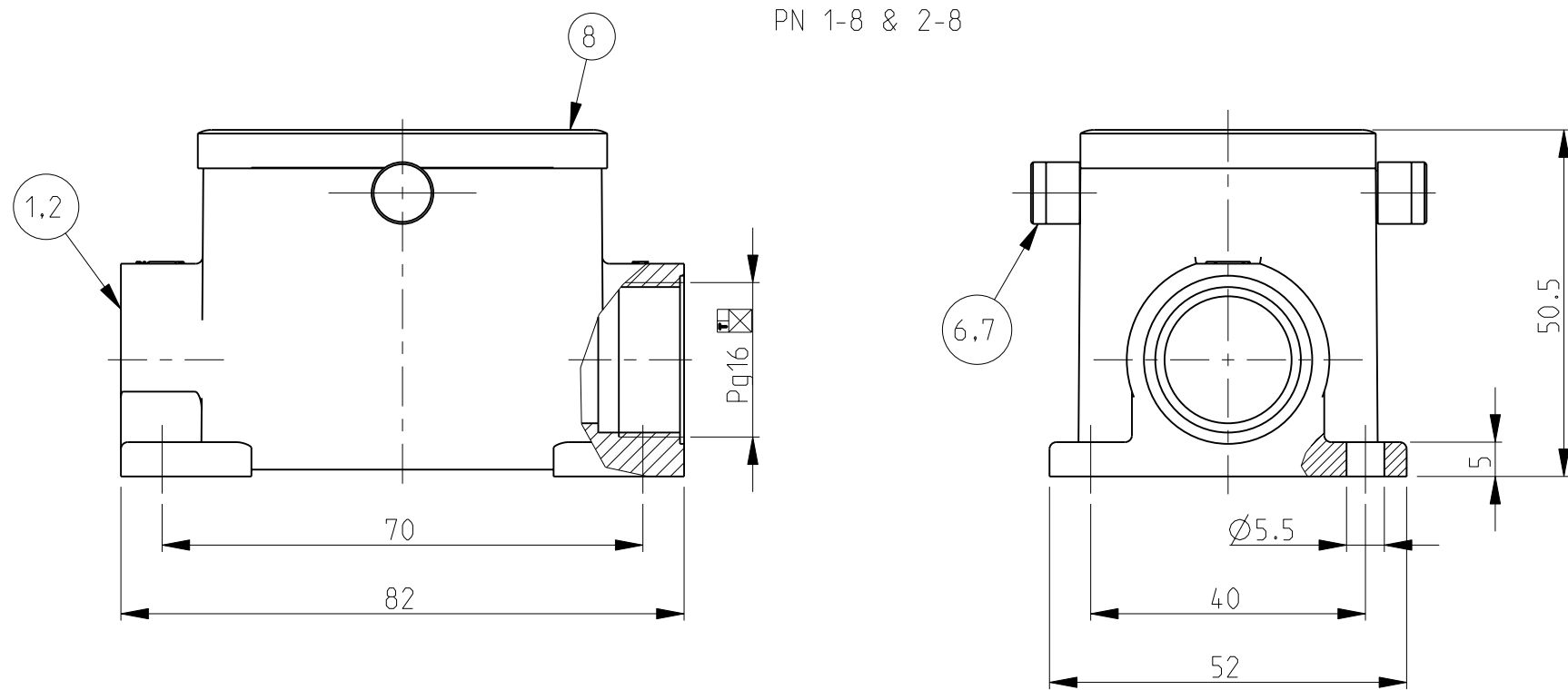
THIS DRAWING IS UNPUBLISHED. RELEASED FOR PUBLICATION .1997  
 © COPYRIGHT 1997 BY TYCO ELECTRONICS CORPORATION. ALL RIGHTS RESERVED.

LOC	DIST	REVISIONS			
P	LTR	DESCRIPTION	DATE	DWN	APVD
A3	-	Released as per ECR-08-019772	04.Sep.2008	SP	TS

PN 1-2 & 2-2 & 3-0

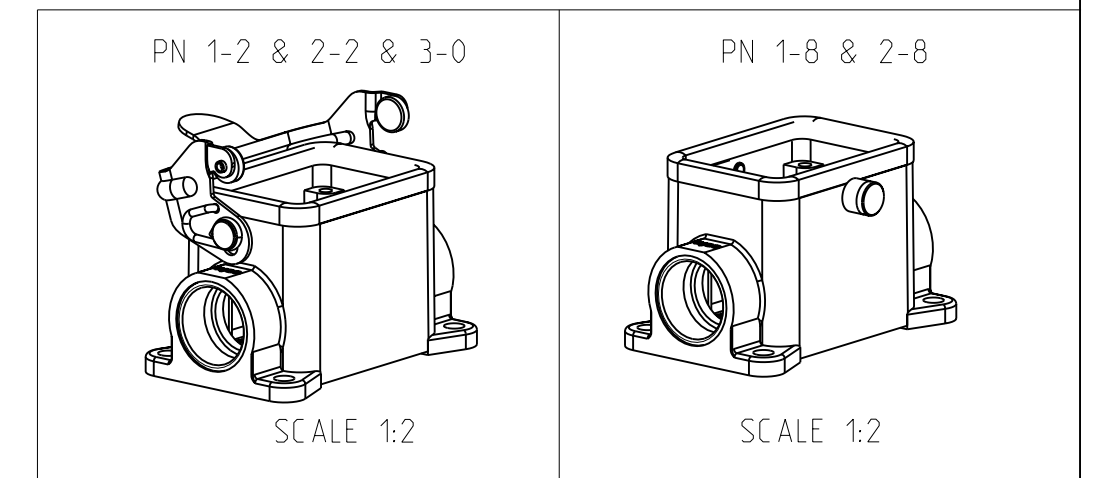


PN 1-8 & 2-8



NOTES.

- 1 Material:Housing:Aluminium Diecasting Alloy  
Seals:Neoprene
- 2 Surface:Varnish grey  
-Aluminium Oxide +Varnish Black
- 3 Varnish on the inside not necessary
- 4 Packaging  
Quantity 5 Pieces in a box



QTY	QTY	QTY	QTY	QTY	QTY	DESCRIPTION	MATERIAL	SURFACE	COLOR	ITEM NO	NOTES
1	1	1	1	1	1	Profile seal	Neoprene		Black RAL 9005	8	
	2					ZB-Clip bolt	Stainless steel			7	
		2				ZB-Clip bolt	Steel	Zinc plated	Blue	6	
1			1			LB-Side clip finished product	Stainless steel			5	
				1		LB-Side clip finished product	Steel	Zinc plated	Blue	4	
1						Surface mounted housing side entry HB.6.16.Z	Aluminium		No varnish	3	
	1					Surface mounted housing side entry HB.6.16.Z	Aluminium	Aluminium oxide	Black RAL 9005	2	
		1				Surface mounted housing side entry HB.6.16.Z	Aluminium		Grey RAL 7001	1	
3-0	2-8	1-8	2-2	1-2		DESCRIPTION	MATERIAL	SURFACE	COLOR	ITEM NO	NOTES
						ORDERING TEXT					
						HB.6.SG-LB.1.16.Z					
						HB-K.6.SG-LB.1.16.Z					
						HB-Z.6.SG-ZVGR.1.16.Z					
						HB-K/Z.6.SG-ZVGR.1.16.Z					
						HB.6.SG-LB.1.16.Z-S0					

THIS DRAWING IS A CONTROLLED DOCUMENT FOR TYCO ELECTRONICS CORPORATION IT IS SUBJECT TO CHANGE AND THE CONTROLLING ENGINEERING ORGANIZATION SHOULD BE CONTACTED FOR THE LATEST REVISION.

DWN Schneider 08.12.1998  
 CHK Schweiger 08.12.1998  
 APVD -  
 PRODUCT SPEC -  
 APPLICATION SPEC -  
 WEIGHT -

TOLERANCES UNLESS OTHERWISE SPECIFIED:  
 0 PLC ±  
 1 PLC ±  
 2 PLC ±  
 3 PLC ±  
 4 PLC ±  
 ANGLES ±  
 FINISH -

NAME Surface mounted housing side entry Assy HB.6.SG.1.16.Z

SIZE A2 CAGE CODE 00779 DRAWING NO 1102249 RESTRICTED TO -

CUSTOMER DRAWING SCALE 1:1 SHEET 1 OF 1 REV A3

Tyco Electronics Tyco Electronics,AMP.GmbH  
 D-53757 Sankt Augustin,Germany