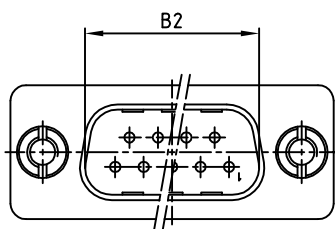
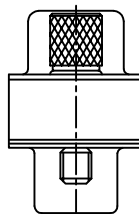
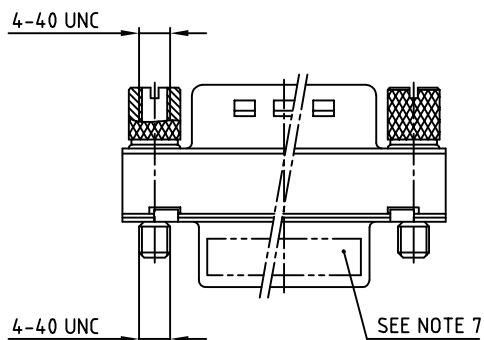
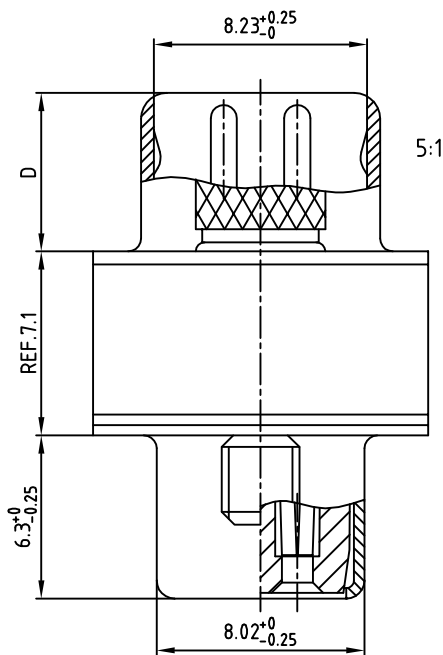
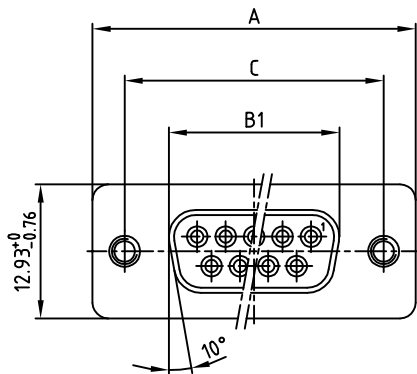


used for: FILTER ADAPTER

POS.	A -0.76	B1 -0.25	B2 $+0.25$	C	D -0.3	PART NO.
9	31.19	16.46	16.79	25.00 $+0.12$ -0.13	6.12	243A10050X
15	39.52	24.79	25.12	33.30 $+0.15$ -0.1	6.12	243A10060X
25	53.42	38.50	38.84	47.04 ± 0.13	5.99	243A10070X
37	69.70	54.96	55.30	63.50 ± 0.13	5.99	243A10080X



NOTES:

- METALSHELLS: STEEL; min. 320µin TIN
- INSULATORS: PBT GF UL 94 V-0, BLACK
- CONTACTS: COPPER ALLOY
PLATING: 8µin HARD GOLD OVER min. 50µin NICKEL
- CAPACITANCE: 1300pF $\pm 20\%$
- DIELECTRIC WITHSTANDING VOLTAGE: 424 VDC
- MAXIMUM TORQUE VALUE FOR THREAD: 6 in.LB
- CONNECTOR IS PART MARKED: PART-NO. CONEC ABC

Directive 2002/95/EC RoHS compliant

APPROVAL # FREIGABE # DEBLOCAGE # AUTORIZACION # APPROVAL	
CUSTOMER APPROVAL DATE:	
NAME:	TITLE:
COMPANY NAME:	
APPROVAL # FREIGABE # DEBLOCAGE # AUTORIZACION # APPROVAL	

THIS DRAWING MAY NOT BE COPIED OR REPRODUCED IN ANY WAY, AND MAY NOT BE PASSED ON TO A THIRD PARTY, WITHOUT WRITTEN PERMISSION. OWNERSHIP AND COPYRIGHT OF CONEC GmbH DO NOT ALTER CAD DRAWING BY HAND

rev.	description	date	name

tolerance		scale:	2:1 (5:1)
dim. in mm		material:	SEE NOTES
2005	date	name	title:
drawn	03.08.	Lehmenkühler	D-SUB C-FILTER ADAPTER
appd.	03.08.	Mickenbecker	9-37pos. PLUG / SOCKET
norm	DIN 41652		with jack screws
d-old			dwg no:
		AutoCAD 2004	
		24K1A681	DIN-A
part no:		SEE TABLE	3
			sh: 1/1

dwg no:	AutoCAD 2004	DIN-A
24K1A681		3
part no:	SEE TABLE	sh: 1/1