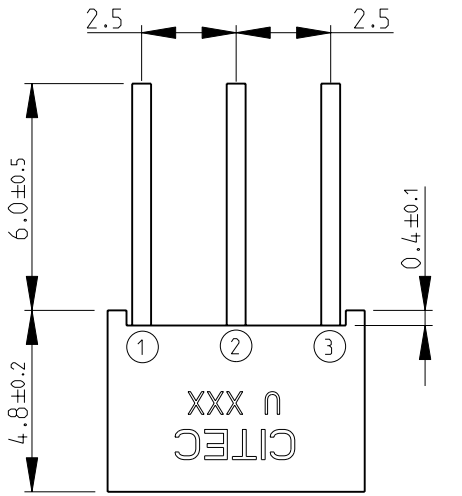
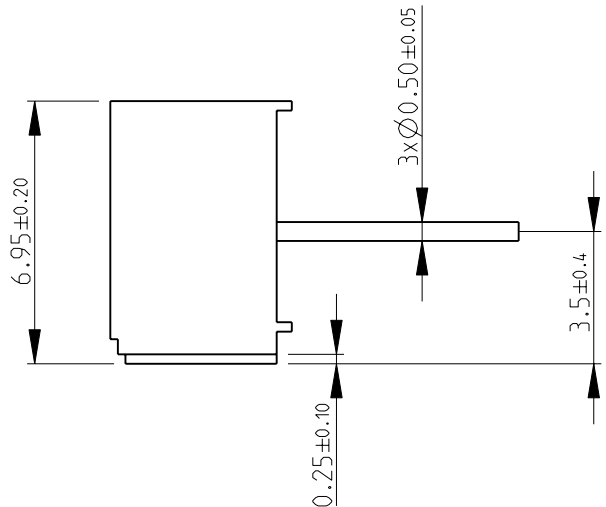
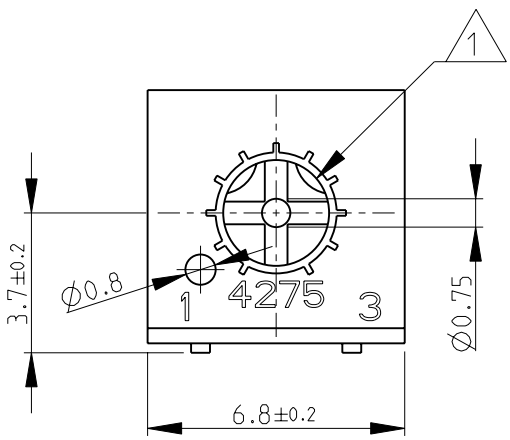


LOC	DIST	REVISIONS					
E	B	P	LTR	DESCRIPTION	DATE	DWN	APVD
			BA	NEW RELEASE	08-Sep-08	SM	St.P

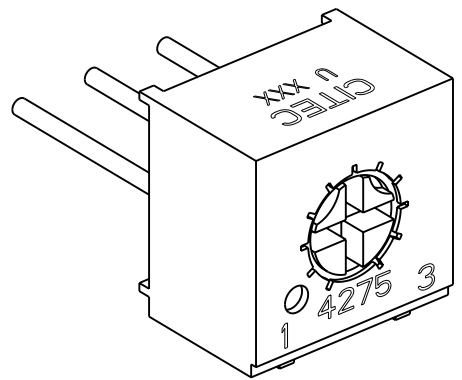
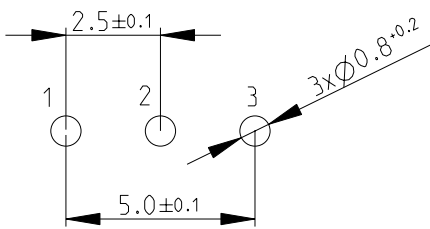


- 1 TOP ADJUSTMENT SLOT:
Length-2.8, Width-0.6, Depth-0.9
- 2 FOR FURTHER INFORMATION SEE DATA SHEET FOR
4275 SERIES-PROFESSIONAL TRIMMERS

RoHS Compliant



PCB MOUNTING DETAILS



2008
 RELEASED FOR PUBLICATION
 BY TYCO ELECTRONICS CORPORATION. ALL RIGHTS RESERVED.
 COPYRIGHT 2008

DIMENSIONS: mm	DWN	08-Sep-08	MATERIAL	-	FINISH	-
	CHK	08-Sep-08	Tyco Electronics Corporation Dorcan, Swindon, SN3 5HH			
TOLERANCES UNLESS OTHERWISE SPECIFIED:	APVD	08-Sep-08				
0 PLC ±0.2	PRODUCT SPEC	-	NAME PROFESSIONAL TRIMMERS SERIES 4275U			
1 PLC ±0.1	APPLICATION SPEC	-				
2 PLC ±-	WEIGHT	-	SIZE	A 4	CAGE CODE	00779
3 PLC ±-			DRAWING NO	C-1623901		RESTRICTED TO
4 PLC ±-						-
ANGLES ±5°	CUSTOMER DRAWING		SCALE	5:1	SHEET	1 OF 1
						REV BA