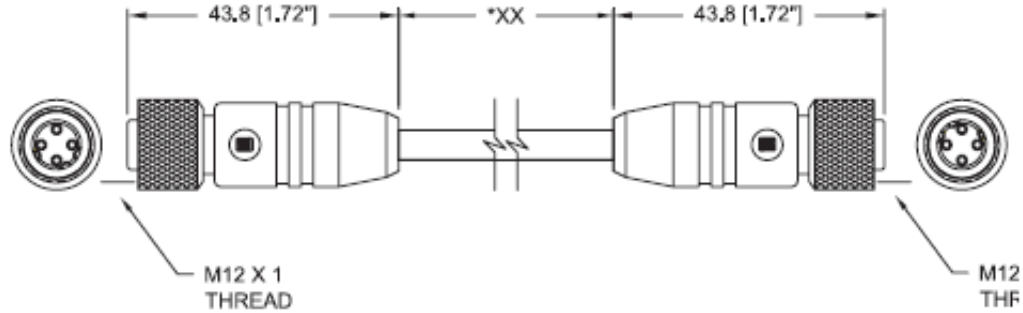


Drawings



Technical Data

| Cordage Construction | | Diameters (In) |
|---|--|-----------------------|
| Cordage Part Number | 117 | |
| Component | 2 PAIR | |
| a) Conductor | 24 (7/32) AWG Tinned Copper | 0.024 |
| b) Insulation | 0.008" Wall, Nom. Polyolefin | 0.040 |
| Insulation Colors | White/Orange - Orange, White/Green - Green | |
| c) Pair | 2/Cond Cabled Together, Staggered Lays | |
| Cable Assembly | 2 Components Cabled | |
| a) Twists | 4.8 Twists/foot (min) | |
| Jacket | 0.035" Wall, Nom. TPE | 0.246 |
| a) Color(s) | TEAL | |
| Cord Configuration | | |
| End 1 | M12 Female | |
| End 2 | M12 Female | |
| Insert | Black TPU | |
| Molded Body | Black TPU | |
| Contact | Copper Alloy, gold plated | |
| Coupling Nut | Copper Alloy, nickel plated | |
| Available Lengths | 0.6, 1, 3, 5, 10, 15, 20 Meters | |
| Applicable Specifications-Cable | | |
| UL | CMR | 75°C |
| CSA International | CMG | 75°C |
| Applicable Specifications-Cord Set | | |

Issue: 1 Issue Date: 7/29/2016 Effective Date: 7/29/2016

| | | |
|---|--|--|
| Ingress Protection | IP68 | |
| Environmental Compliance | | |
| CE | All materials used in the manufacture of this part meet the requirements of European Directive 2011/65/EU regarding the restriction of use of certain hazardous substances in electrical and electronic equipment. Exemption used; 6a. | |
| REACH Regulation (EC 1907/2006) | This product does not contain Substances of Very High Concern (SVHC) listed on the European Union’s REACH candidate list in excess of 0.1% mass of the item. | |
| Physical & Electrical Properties | | |
| Temperature Range | -40 to 75°C(operating), -25 to 75°C (installation) | |
| Bend Radius | 10X Cable Diameter (2 million cycles), 20X Cable Diameter (10 million cycles) | |
| Voltage Rating | 250V | |
| Current Rating | 1.6 Amps | |
| Ordering Information | | |
| AR04AR117 TL355 | 0.6 Meters | |
| AR04AR117 TL356 | 1.0 Meters | |
| AR04AR117 TL357 | 3.0 Meters | |
| AR04AR117 TL358 | 5.0 Meters | |
| AR04AR117 TL359 | 10.0 Meters | |
| AR04AR117 TL400 | 15.0 Meters | |
| AR04AR117 TL401 | 20.0 Meters | |
| Standard Package | Each | |

Although Alpha Wire (“Alpha”) makes every reasonable effort to ensure their accuracy at the time of this publication, information and specifications described herein are subject to error or omission and to change without notice, and the listing of such information and specifications does not ensure product availability. Alpha provides the information and specification herein on an “AS IS” basis, with no representations or warranties, whether express, statutory or implied. In no event will Alpha be liable any damages (including consequential, indirect, incidental, special, punitive, or exemplary damages) whatsoever, even if Alpha has been advised of the possibility of such damages, whether in an action under contract, negligence or any other theory, arising out of or in connection with the use, or inability to use, the information or specification described herein.