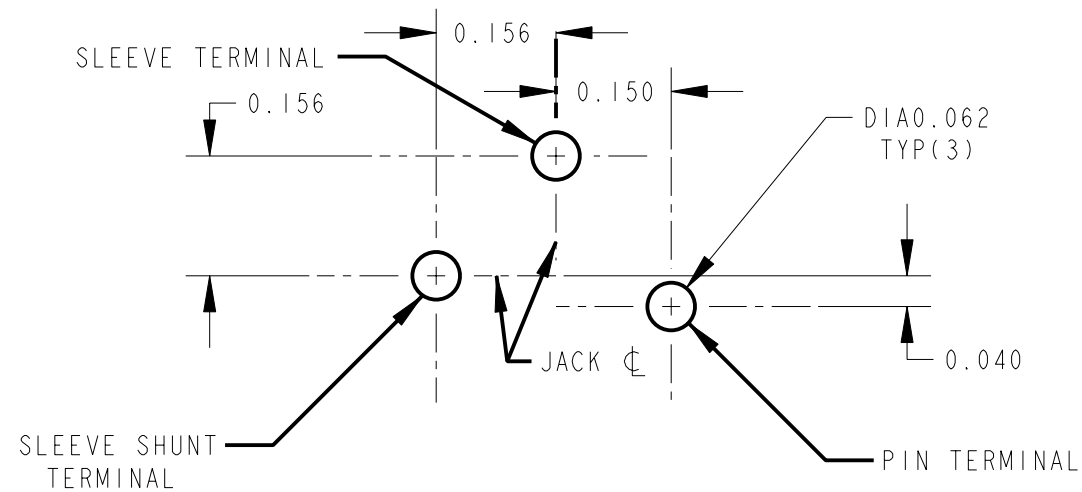


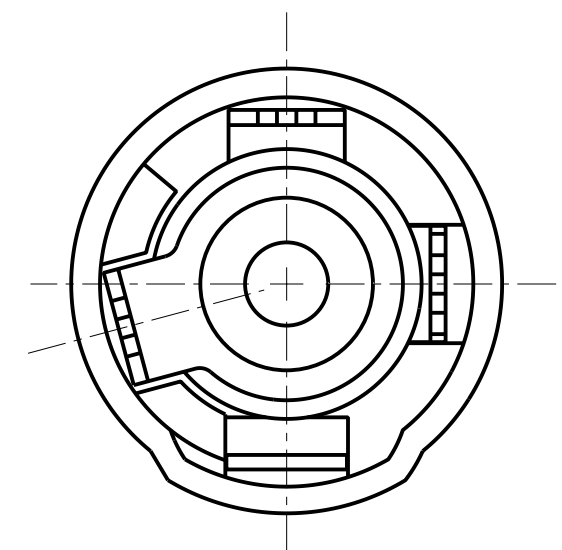
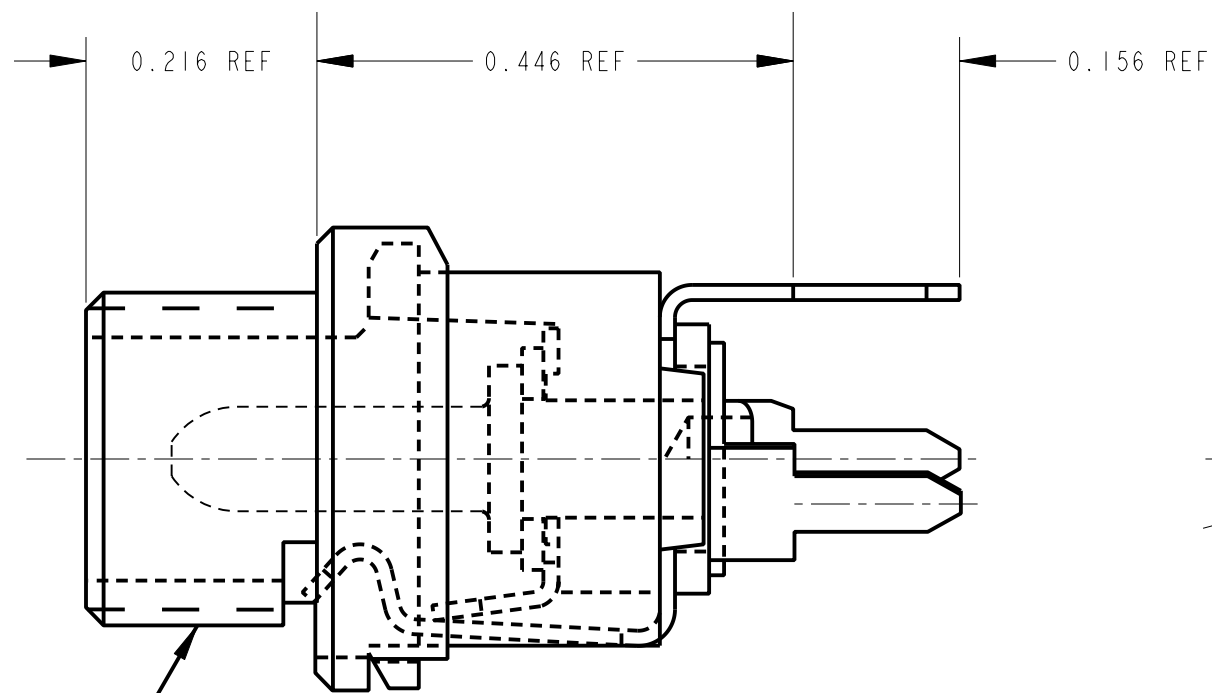
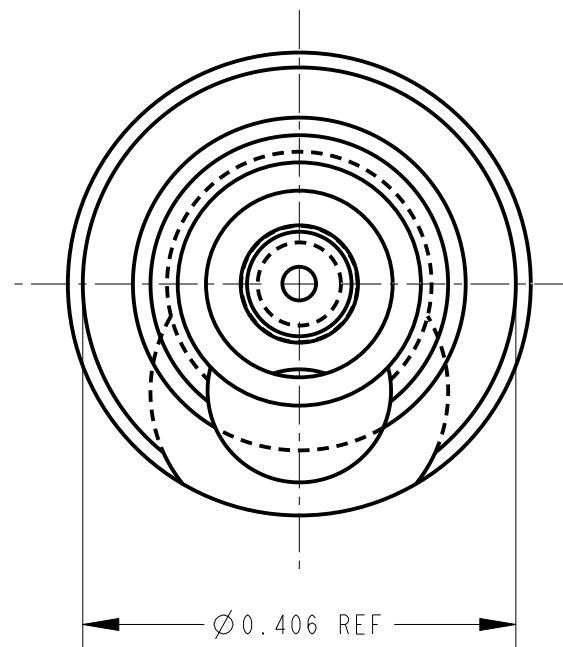
MATERIALS

- BUSHING - COPPER ALLOY, NICKEL PLATED
- PIN TERMINALS - COPPER ALLOY, SILVER PLATED
- WASHERS - GLASS EPOXY
- PIN - COPPER ALLOY, SILVER PLATED
- HOUSING - BLACK THERMOPLASTIC, UL94V-0
- SLEEVE SHUNT - BERYLLIUM COPPER, SILVER PLATED

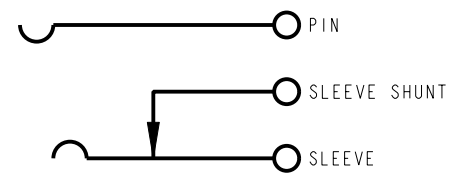


PC BOARD LAYOUT

SCALE: 1 = 0.250
COMPONENT SIDE



CUSTOMER DRAWING
CAD/CAM DWG. NO.
PC712A_CD
SHEET 1 OF 1



CIRCUIT DIAGRAM

G	ECO #22992	9-7--99	JL	DK	★ STAR SYMBOL DENOTES CRITICAL DIMENSION, SEE S/C ENGINEERING STANDARD ES-0001	THIS DRAWING DESCRIBES A DESIGN CONSIDERED PROPRIETARY IN NATURE, DEVELOPED AND MANUFACTURED BY SWITCHCRAFT INC. AND IS RELEASED ON A CONFIDENTIAL BASIS FOR IDENTIFICATION PURPOSE ONLY.				
F	ECO #20056	9-8-95	DA	TAO		UNLESS OTHERWISE SPECIFIED	SIZE	WIDTH	MULT	LBS./M
E	ECO #20054	9-8-95	DA	TAO	1. ALL DIMENSIONS IN INCHES TWO PLACE DECIMAL ±.01 THREE PLACE DECIMAL ±.005 ANGLES ±0.5° ALL DIA'S CONCENTRIC WITHIN .005 T.I.R. 2. REMOVE ALL BURRS 3. MAKE NO DIMENSIONAL ALLOWANCES FOR APPLIED FINISHES, I.E., PLATING, PAINTING, ETC. 4. HOLES ON THE SAME CENTERLINE MUST BE ALIGNED WITHIN ±.002	FINISH		MATERIAL		
D	ECO #20052	9-8-95	DA	TAO		SPEC. NO.		SPEC. NO.		
C	ECO #20050	9-8-95	DA	TAO		FIRST USED ON		SCALE 1 = 0.180		
B	ECO #19704	3-24-95	RC	GHJ		DATE DRAWN	BY	CHK'D TO	APP'D	
A	FIRST DRAWN	8-21-93	LR	GHJ	8-21-93	LR	8-31-93	8-31-93		
ISSUE	CHANGE NO.	DATE	BY	APP'D	NAME POWER JAX				PART NO. PC712A	ISSUE G
REVISIONS					DO NOT SCALE DRAWING					