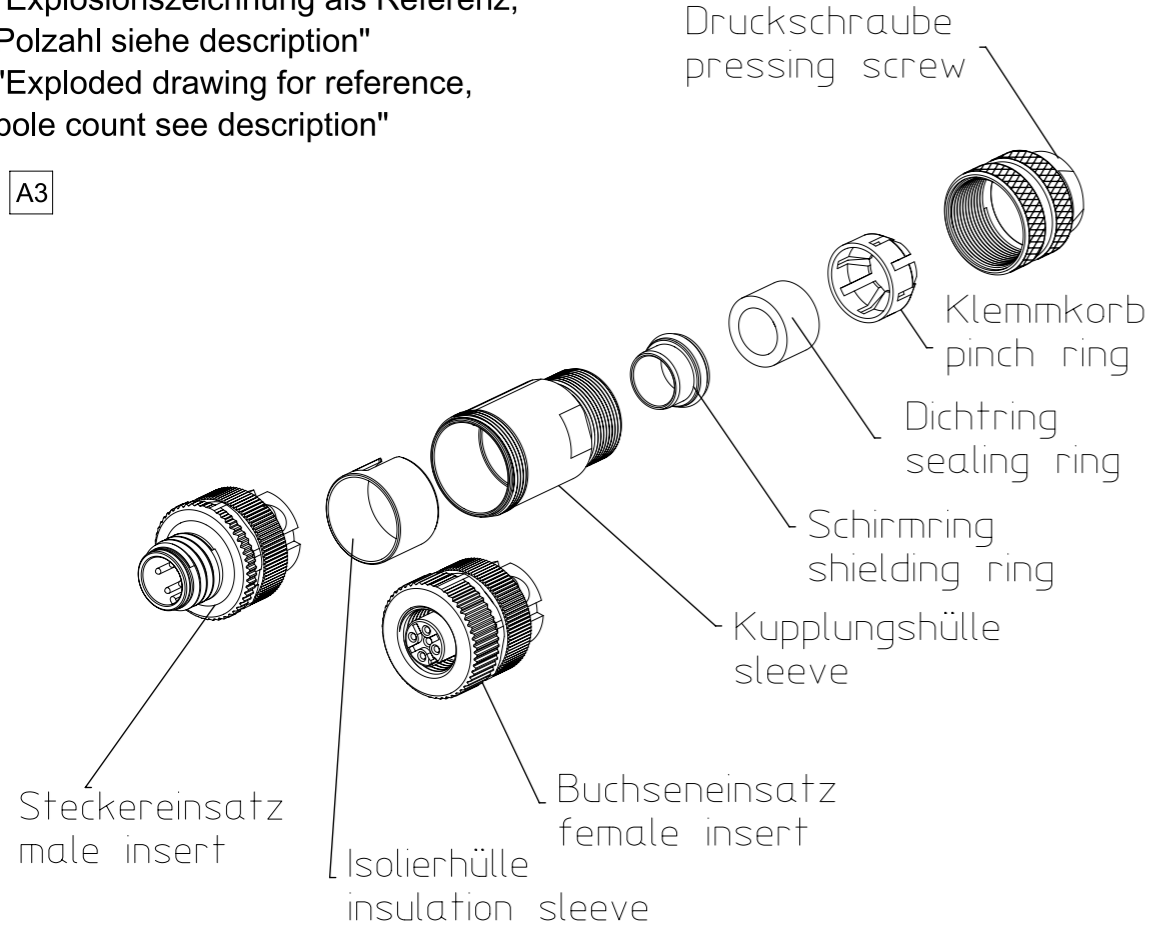


"Explosionszeichnung als Referenz,
Polzahl siehe description"
"Exploded drawing for reference,
pole count see description"

A3

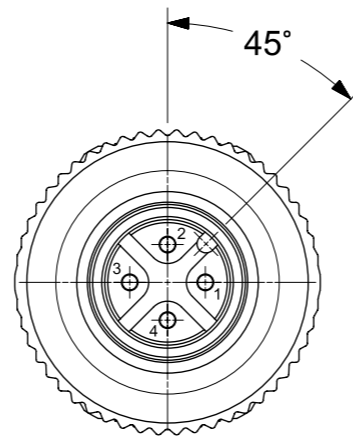


CHANGES SEE
REVISION MARKING A3

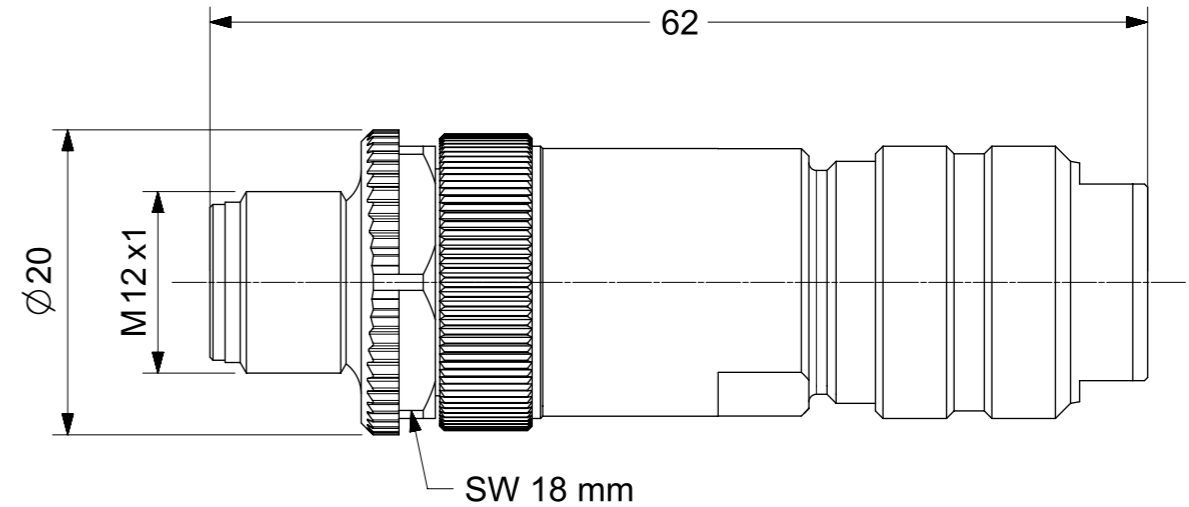
NOTES

NOTES:

- 1: LOCKING SYSTEM: SCREW
WIRE GAUGE: 075mm²
CABLE OUTLET: 6 - 8mm
2. ELECTRICAL DATA:
CURRENT RATING: 4A
VOLTAGE RATING: 250V
3. MECHANICAL:
OPERATING TEMP.: -40°C to +85°C
PROTECTION CLASS: IP67
4. MATERIAL:
CONTACT: CuZn (BRASS)
CONTACT PLATING: Au (GOLD)
HOUSING: zinc die cast
COUPLING NUT: CuZn (BRASS)



PRE-RELEASE
REFERENCE
USE ONLY



ENG.-NO: 8A4S06-32

THIS DRAWING CONTAINS INFORMATION THAT IS PROPRIETARY TO MOLEX ELECTRONIC TECHNOLOGIES, LLC AND SHOULD NOT BE USED WITHOUT WRITTEN PERMISSION

QUALITY SYMBOLS FA = 0 FE = 0 FP = 0 FV = 0 FC = 0 FX = 0 FS = 0 FT = 0	EC NO: 107393 DRWN: LRAMAMURTHY CHK'D: APPR:	2016/08/10 GENERAL TOLERANCES (UNLESS SPECIFIED) ANGULAR TOL ± 1.0 ° 4 PLACES ± 3 PLACES ± 2 PLACES ± 0.05 1 PLACE ± 0.3 0 PLACES ± 0.5 DRAFT WHERE APPLICABLE MUST REMAIN WITHIN DIMENSIONS	DIMENSION UNITS: MM SCALE: 2:1 DRWN BY: MSCHWARZ DATE: 2015/07/01 CHK'D BY: DATE: APPR BY: DATE:	DRAWING SIZE: A3 THIRD ANGLE PROJECTION	molex FA M12 4P AC MA STR SCR UNSH PRODUCT CUSTOMER DRAWING SERIES: 120071 MATERIAL NUMBER: 1200710032 CUSTOMER: GENERAL MARKET DOCUMENT NUMBER: 1200710032 DOC TYPE: PSD DOC PART: 000 SHEET NUMBER: 1 OF 1
	A3	REV:	THIS DRAWING CONTAINS INFORMATION THAT IS PROPRIETARY TO MOLEX ELECTRONIC TECHNOLOGIES, LLC AND SHOULD NOT BE USED WITHOUT WRITTEN PERMISSION	DIMENSION UNITS: MM SCALE: 2:1 DRWN BY: MSCHWARZ DATE: 2015/07/01 CHK'D BY: DATE: APPR BY: DATE:	molex FA M12 4P AC MA STR SCR UNSH PRODUCT CUSTOMER DRAWING SERIES: 120071 MATERIAL NUMBER: 1200710032 CUSTOMER: GENERAL MARKET DOCUMENT NUMBER: 1200710032 DOC TYPE: PSD DOC PART: 000 SHEET NUMBER: 1 OF 1
	A3	REV:	THIS DRAWING CONTAINS INFORMATION THAT IS PROPRIETARY TO MOLEX ELECTRONIC TECHNOLOGIES, LLC AND SHOULD NOT BE USED WITHOUT WRITTEN PERMISSION	DIMENSION UNITS: MM SCALE: 2:1 DRWN BY: MSCHWARZ DATE: 2015/07/01 CHK'D BY: DATE: APPR BY: DATE:	molex FA M12 4P AC MA STR SCR UNSH PRODUCT CUSTOMER DRAWING SERIES: 120071 MATERIAL NUMBER: 1200710032 CUSTOMER: GENERAL MARKET DOCUMENT NUMBER: 1200710032 DOC TYPE: PSD DOC PART: 000 SHEET NUMBER: 1 OF 1
	A3	REV:	THIS DRAWING CONTAINS INFORMATION THAT IS PROPRIETARY TO MOLEX ELECTRONIC TECHNOLOGIES, LLC AND SHOULD NOT BE USED WITHOUT WRITTEN PERMISSION	DIMENSION UNITS: MM SCALE: 2:1 DRWN BY: MSCHWARZ DATE: 2015/07/01 CHK'D BY: DATE: APPR BY: DATE:	molex FA M12 4P AC MA STR SCR UNSH PRODUCT CUSTOMER DRAWING SERIES: 120071 MATERIAL NUMBER: 1200710032 CUSTOMER: GENERAL MARKET DOCUMENT NUMBER: 1200710032 DOC TYPE: PSD DOC PART: 000 SHEET NUMBER: 1 OF 1