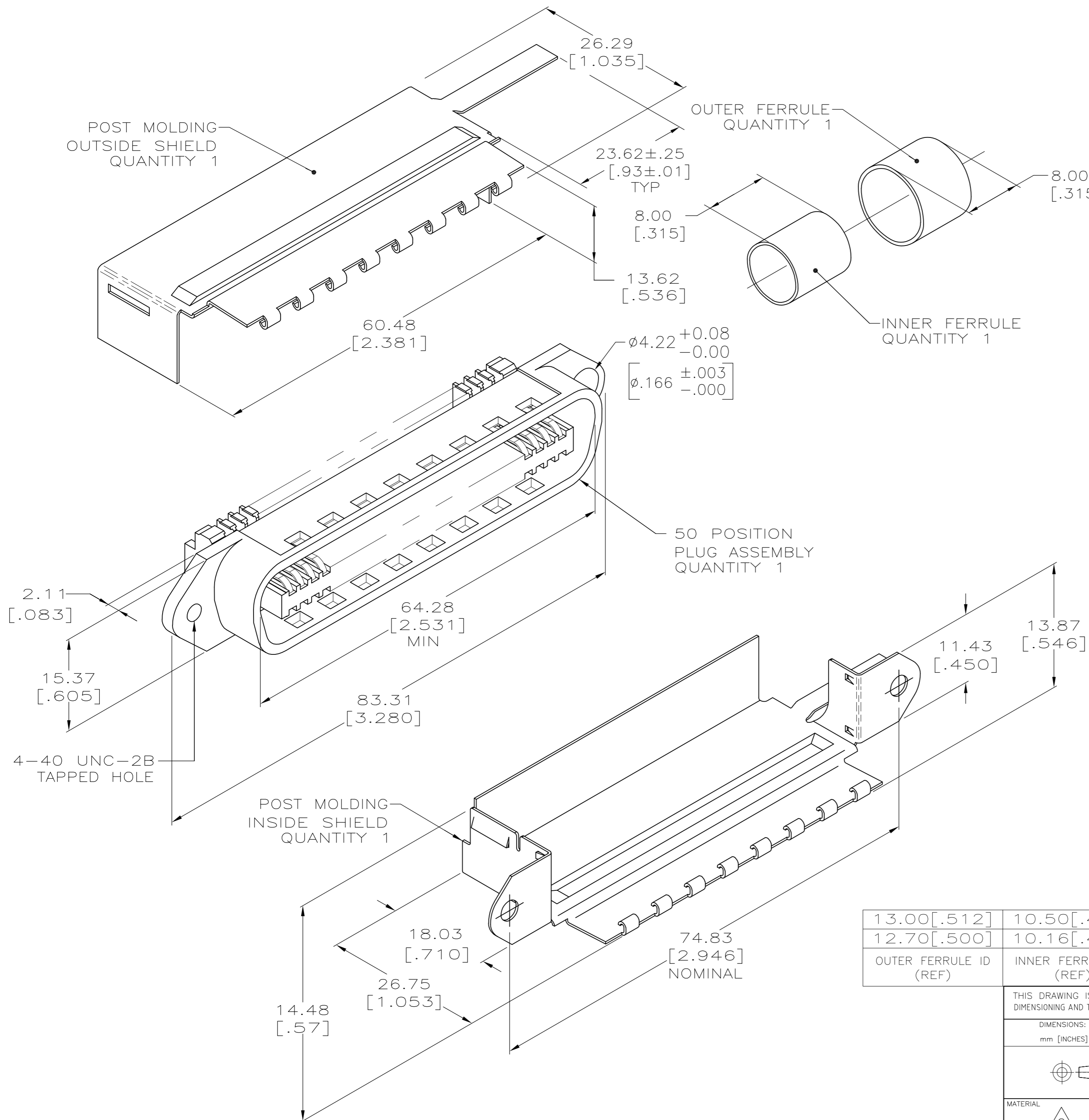


THIS DRAWING IS UNPUBLISHED. RELEASED FOR PUBLICATION  
 © COPYRIGHT - By - ALL RIGHTS RESERVED.

LOC		DIST		REVISIONS			
P	LTR	DESCRIPTION		DATE	DWN	APVD	
GP	00	D1	REVISED PER ECO-12-017315	03OCT2012	CJV	PAR	



- THIS KIT SHIPPED NOT ASSEMBLED.
- MATERIAL/FINISH**  
 PLUG HOUSING: POLYPHENYLENE OXIDE, BLACK.  
 TERMINALS: HIGH STRENGTH COPPER ALLOY PLATED WITH EITHER 0.76µm [.000030] MINIMUM GOLD OR GOLD FLASH OVER PALLADIUM NICKEL PLATE, 0.76µm [.000030] MIN TOTAL ON MATING SURFACE. 1.27µm [.000050] MINIMUM NICKEL UNDERPLATE OVER ENTIRE TERMINAL.  
 SHIELDS: BRIGHT NICKEL PLATED CARBON STEEL.  
 FERRULES: BRASS.
- WIRE SIZE: 24 OR 26 AWG SOLID OR 24 AWG 7 STRANDS COPPER CONDUCTORS. MAXIMUM INSULATION DIAMETER OF 1.14 [.045] IS ACCEPTABLE FOR MOST APPLICATIONS.
- CENTER-TO-CENTER SPACING OF TERMINALS IS 2.16 [.085] NOMINAL.
- BULK PACKAGED 500 KITS PER CONTAINER.
- DIMENSIONS ARE MAXIMUM UNLESS OTHERWISE SPECIFIED.

13.00 [.512]	10.50 [.413]	BLACK	B	3	5	1888591-2
12.70 [.500]	10.16 [.400]	BLACK	B	3	5	1888591-1
OUTER FERRULE ID (REF)	INNER FERRULE ID (REF)	HOUSING COLOR	SLOT	WIRE SIZE	PACKAGED	PART NUMBER

THIS DRAWING IS A CONTROLLED DOCUMENT. DIMENSIONING AND TOLERANCING PER ASME Y14.5M-2009

DIMENSIONS: mm [INCHES]

TOLERANCES UNLESS OTHERWISE SPECIFIED:

0 PLC	±	-
1 PLC	±	-
2 PLC	±	-
3 PLC	±	-
4 PLC	±	-
ANGLES	±	-

MATERIAL: 2

FINISH: 2

TE Connectivity

PLUG KIT, 50 POSITION, POST MOLDING, SHIELDED, 90 DEGREE, SCREW LOCK, CHAMP

SIZE: A2 CAGE CODE: 00779 C=1888591

SCALE: 2:1 SHEET: 1 of 1 REV: D1