

4

3

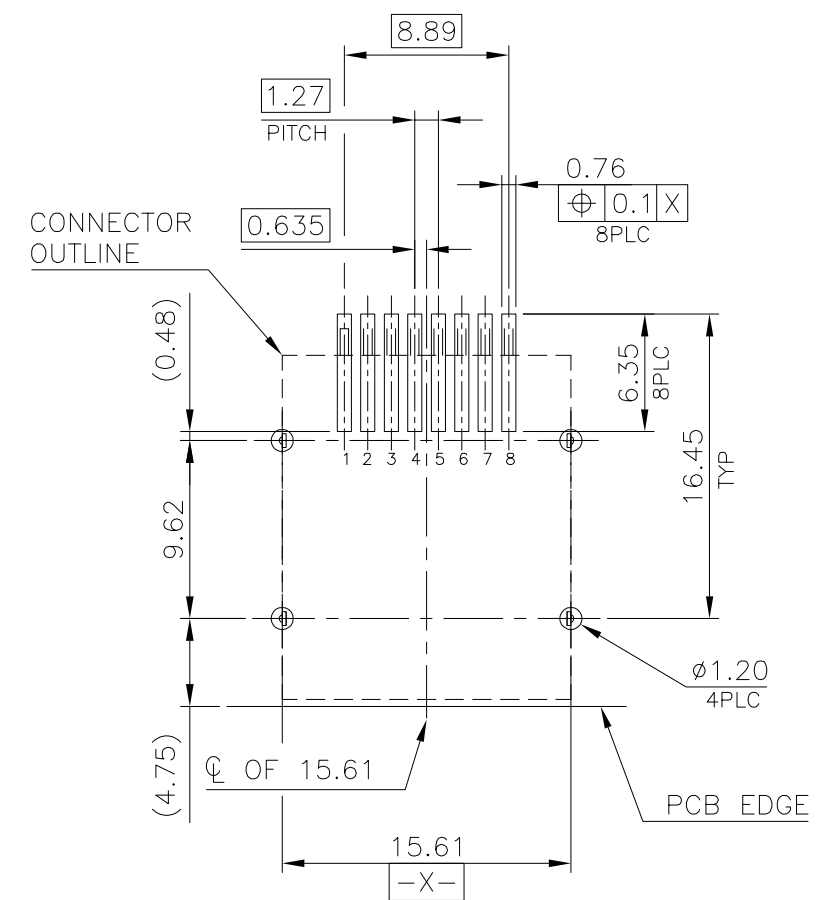
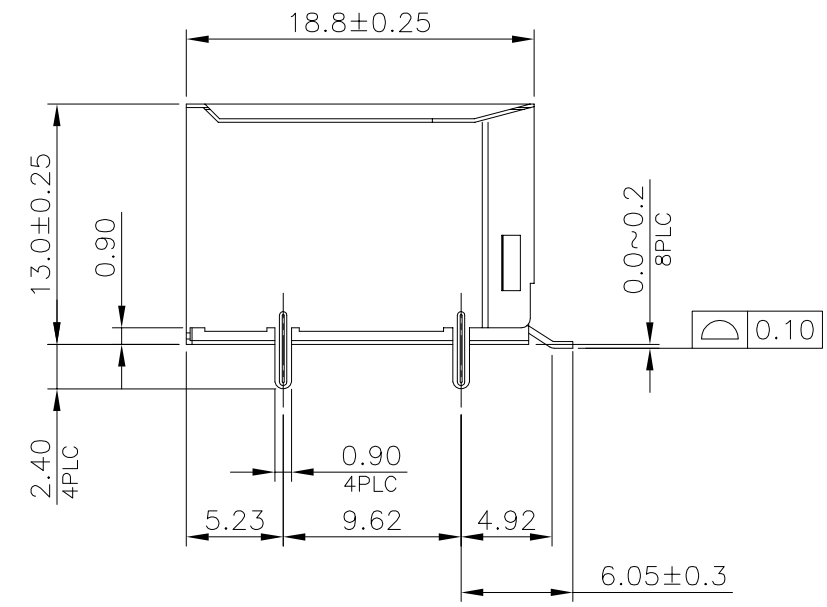
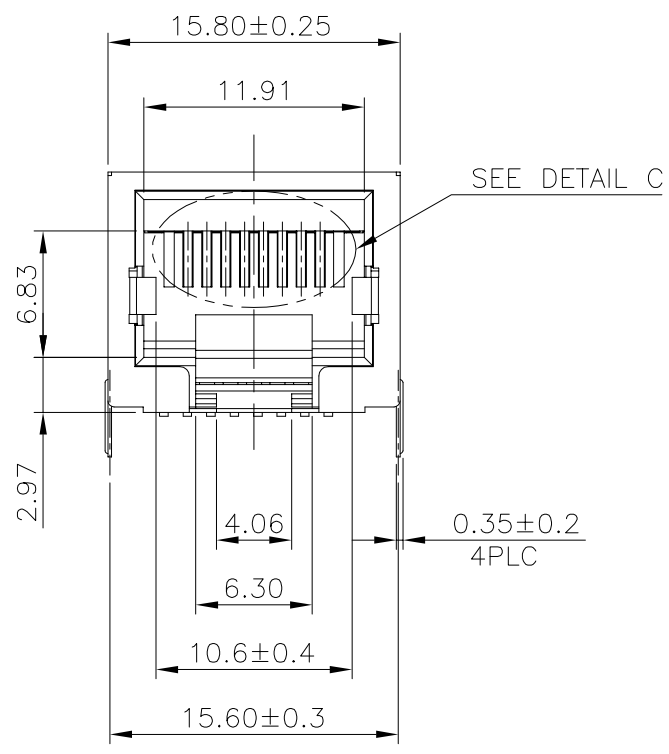
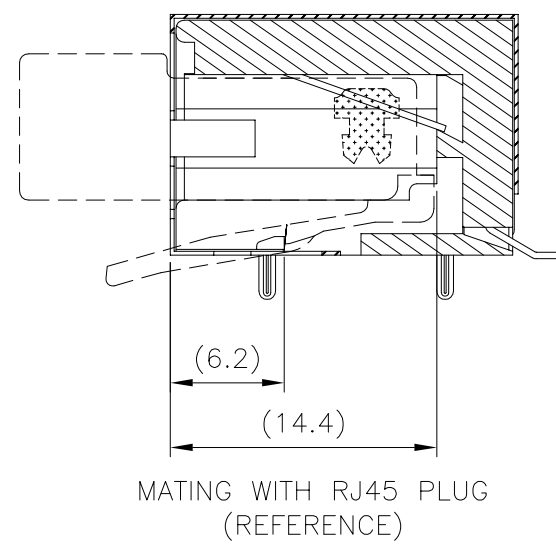
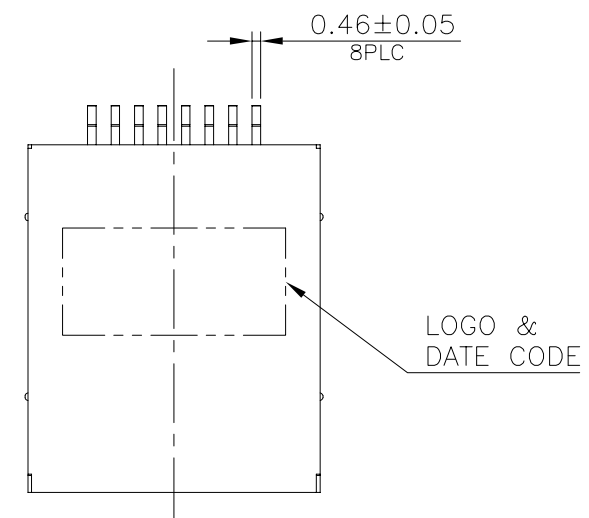
2

1

THIS DRAWING IS UNPUBLISHED. RELEASED FOR PUBLICATION
 © COPYRIGHT 2011 By TE Connectivity ALL RIGHTS RESERVED.

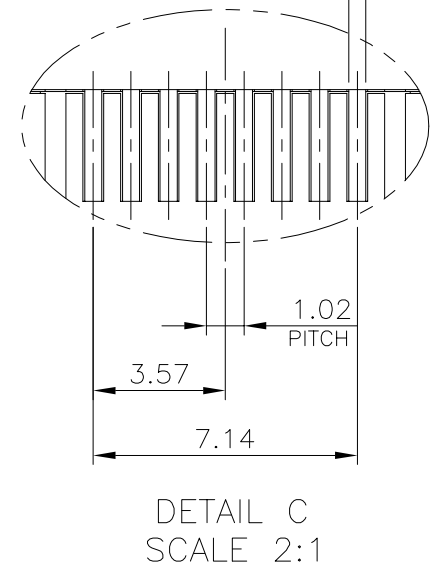
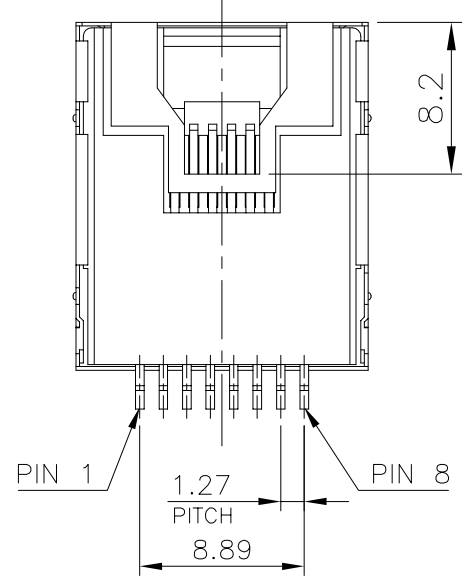
LOC	DIST	REVISIONS				
P	LTR	DESCRIPTION	DATE	DWN	APVD	
DW		ECO-15-012684	08SEP'15	LL	SH	

NOTE:
 1. MATERIAL:
 HOUSING: PA9T WITH 30% GF, UL94 V-0, BLACK COLOR.
 INSERT HOUSING: PA46 WITH 30% GF, UL94 V-0, BLACK COLOR.
 CONTACTS: PHOSPHOR BRONZE.
 SHELL: BRASS.
 2. FINISH:
 CONTACTS: 0.762um [30u"] MIN. GOLD PLATED ON CONTACT AREA,
 GOLD FLASH ON SOLDER TAIL,
 1.27um [50u"] MIN. NICKEL UNDERPLATED OVERALL.
 SHELL: 0.508um [20u"] MIN. NICKEL PLATED OVERALL.
 3. REFLOW SOLDER CAPABLE TO 260°C PER TE SPEC 109-201, CONDITION B.



RECOMMENDED PCB LAYOUT (TOP VIEW)
 TOLERANCE: ±0.05
 PCB THICKNESS: 1.6mm

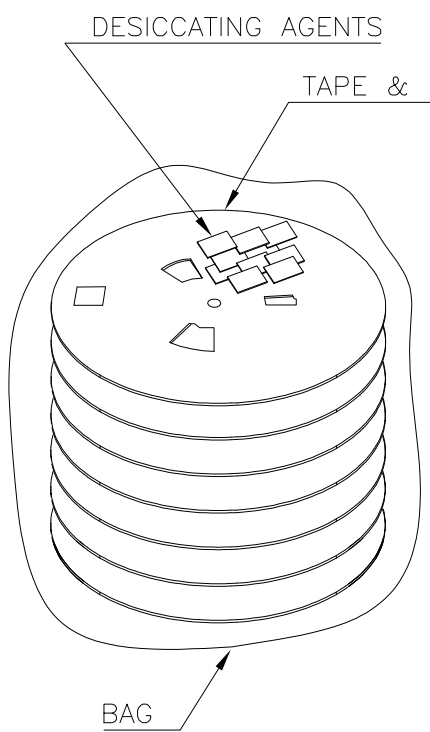
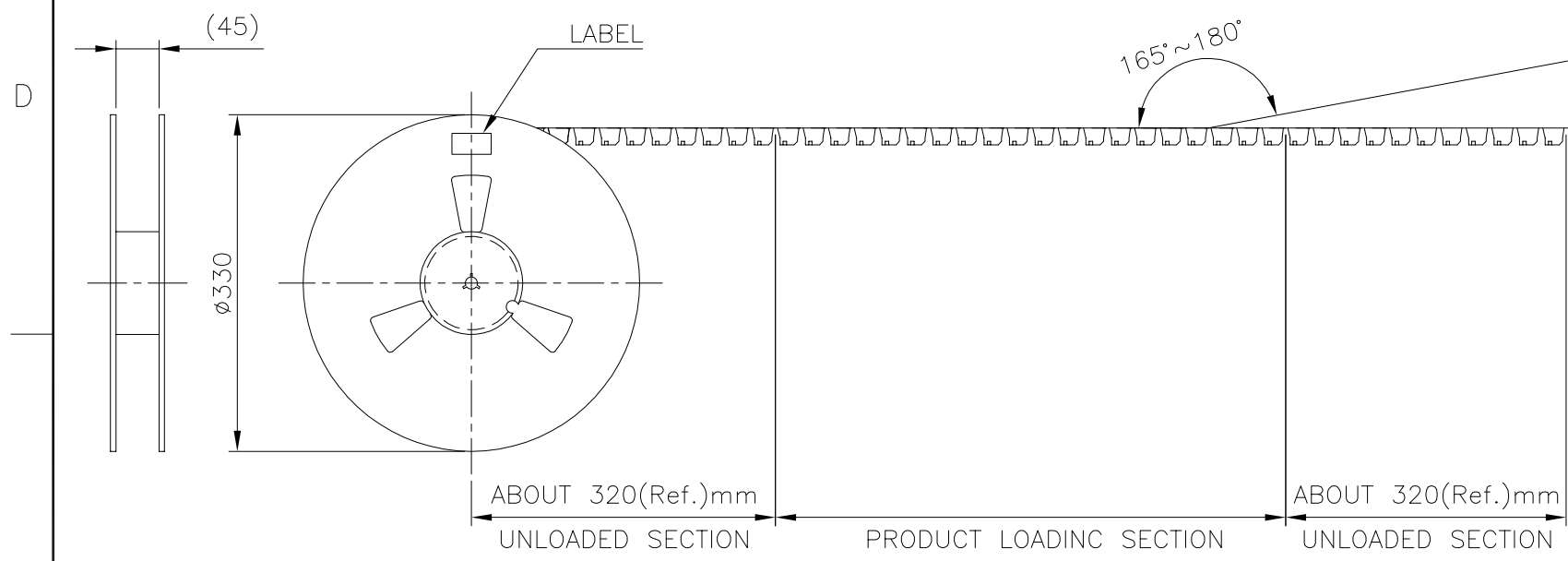
2170136-1
 PART NUMBER



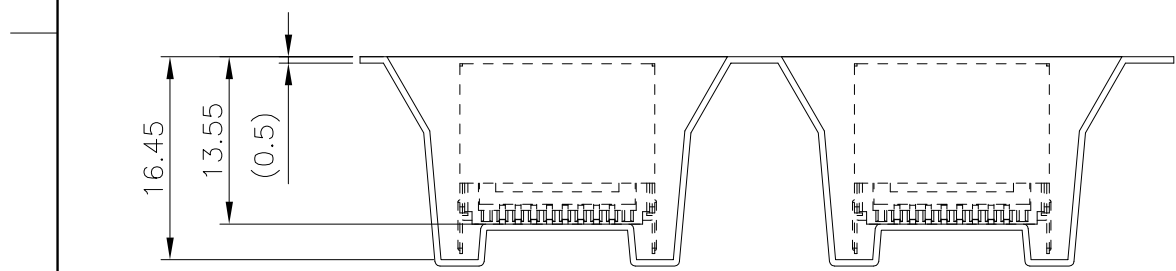
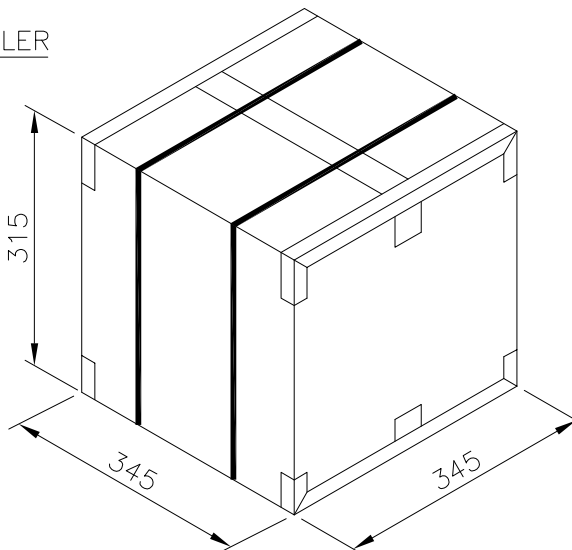
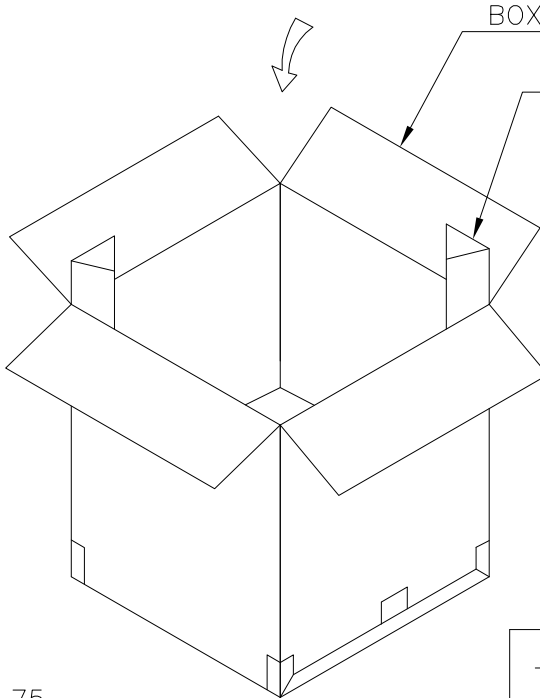
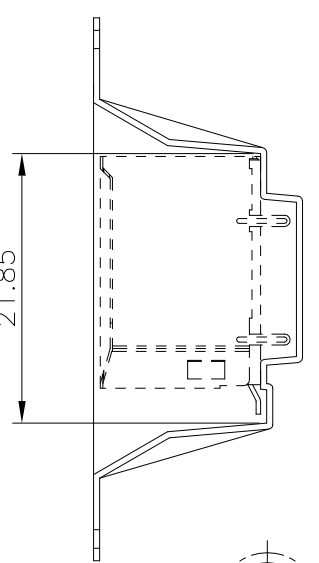
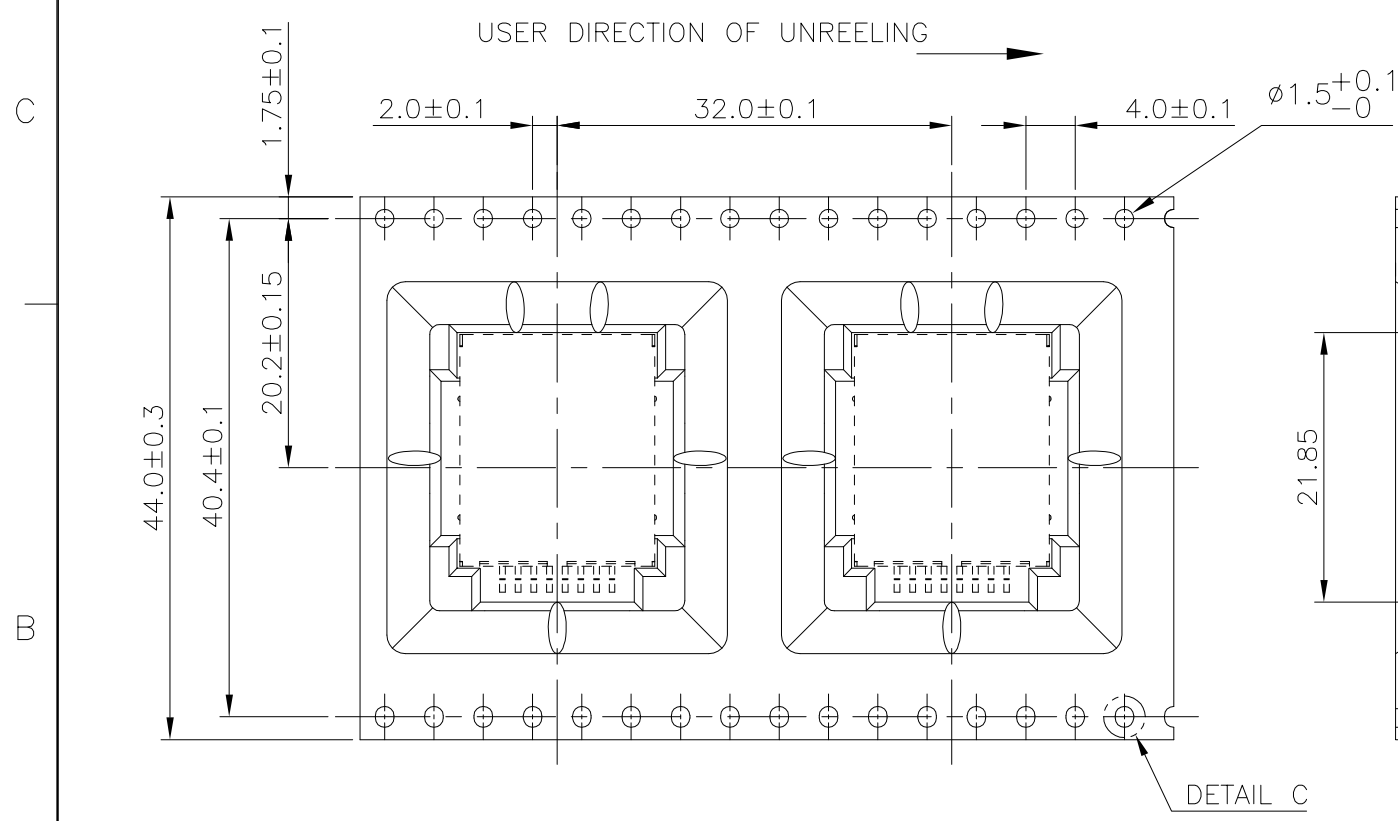
THIS DRAWING IS A CONTROLLED DOCUMENT.		DWN	W. CHEN	16AUG2011		NAME MODULAR JACK CONNECTOR RJ45, TAB DOWN, SIDE ENTRY SMT TYPE, H=13.0mm
DIMENSIONS: mm		CHK	D. ZHU	16AUG2011		
TOLERANCES UNLESS OTHERWISE SPECIFIED:		APVD	MQ. WANG	16AUG2011		
0 PLC ± - 1 PLC ± 0.3 2 PLC ± 0.2 3 PLC ± 0.15 4 PLC ± - ANGLES ± 3°		PRODUCT SPEC 108-57866 APPLICATION SPEC		SIZE		
MATERIAL SEE NOTE		FINISH SEE NOTE		WEIGHT	CAGE CODE	00779
		CUSTOMER DRAWING		SCALE	DRAWING NO	C=2170136
				SHEET	RESTRICTED TO	-
				1 OF 2	REV	B

THIS DRAWING IS UNPUBLISHED. RELEASED FOR PUBLICATION
 © COPYRIGHT 2011 By TE Connectivity ALL RIGHTS RESERVED.

LOC	DIST	REVISIONS					
DW		P	LTR	DESCRIPTION	DATE	DWN	APVD
				SEE SHEET 1.			



- NOTE:
1. EACH BAG SHALL BE INCLUDED: *DESICCANT
 2. PEELING STRENGTH: 0.1~1.3N(1~130 GRAMS) FOR 12~56mm WIDE CARRIER TAPES
 3. PEELING SPEED: 300mm/MINUTES.
 4. PACKAGING MATERIAL:
 - 4.1 COVER TAPE: COMPOSITE OF POLYETHYLENE TEREPHTHALATE (PET)
 - 4.2 CARRIER: POLYSTYRENE (PS)
 - 4.3 CARRIER REEL: POLYSTYRENE



DETAIL C SCALE 4:1

THIS DRAWING IS A CONTROLLED DOCUMENT.		DWN	
DIMENSIONS: mm		CHK	
TOLERANCES UNLESS OTHERWISE SPECIFIED:		APVD	
0 PLC	± -	PRODUCT SPEC	
1 PLC	± 0.3	APPLICATION SPEC	
2 PLC	± 0.2	WEIGHT	
3 PLC	± 0.15	CUSTOMER DRAWING	
4 PLC	± -		
ANGLES	± 3'		
MATERIAL	FINISH		

- KG	2.9 KG	110	6	660	2170136-1
GROSS WEIGHT	NET WEIGHT	PCS/ REEL	REEL/ BOX	PCS/ BOX	PART NUMBER

TE TE Connectivity					
NAME MODULAR JACK CONNECTOR RJ45, TAB DOWN, SIDE ENTRY SMT TYPE, H=13.0mm					
SIZE	CAGE CODE	DRAWING NO	RESTRICTED TO		
A3	00779	C=2170136			
SCALE		SHEET	REV		
		2 OF 2	B		