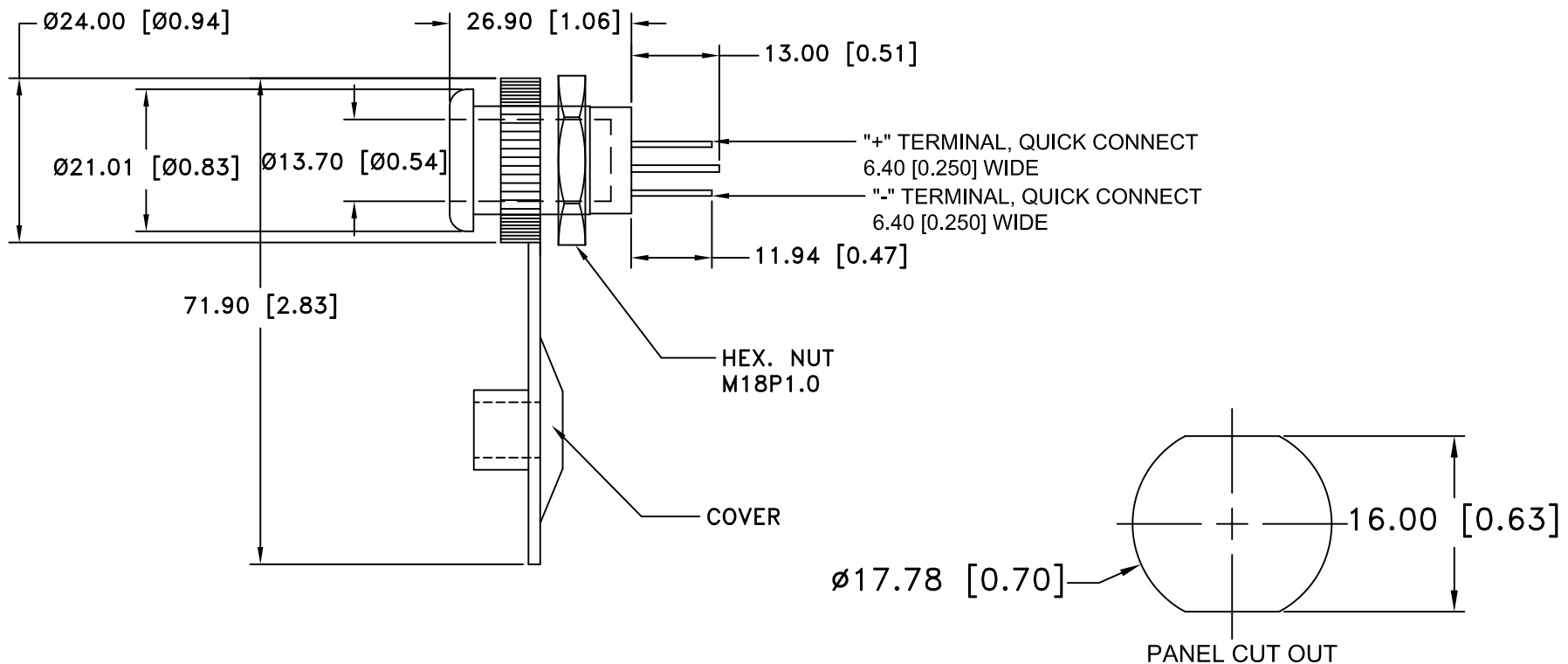



Date	SYM	REVISION RECORD	AUTH	DR.	CK.
12/16/11	A	ADDED PANEL CUT OUT ADDED TERMINAL TYPE	T.B.	B.S.	
05/04/12	B	UPDATED TITLE ADDED DIM. Ø24.00, Ø13.70	T.B.	B.S.	



MATERIAL SPECIFICATION:
 INNER TUBE: BRASS, NICKEL PLATED
 NUT: IRON, NICKEL PLATED
 OUTER SHELL: NYLON
 TERMINALS: BRASS, NICKEL PLATED
 COVER: PVC
 RATING: DC12V-24V, 15A MAX.
 ROHS COMPLIANT

Tolerance (Except as noted)	 Memory Protection Devices, Inc 200 Broad Hollow Road, Farmingdale, New York 11735		
decimal ±.5 (.020)		Scale	Drawn By B.S. Approved By T.B.
Fractional ± .8 (.030)	Title 12V CIGARETTE SOCKET, PANEL MOUNT DIN 4165, 12mm SOCKET		
Angular ± 3°	Date 05/04/12	Drawing Number AS213	