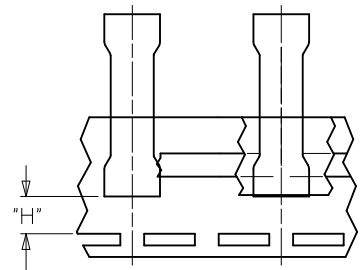
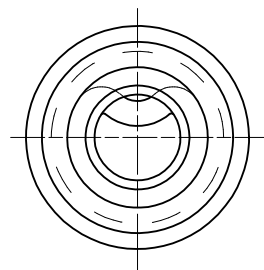
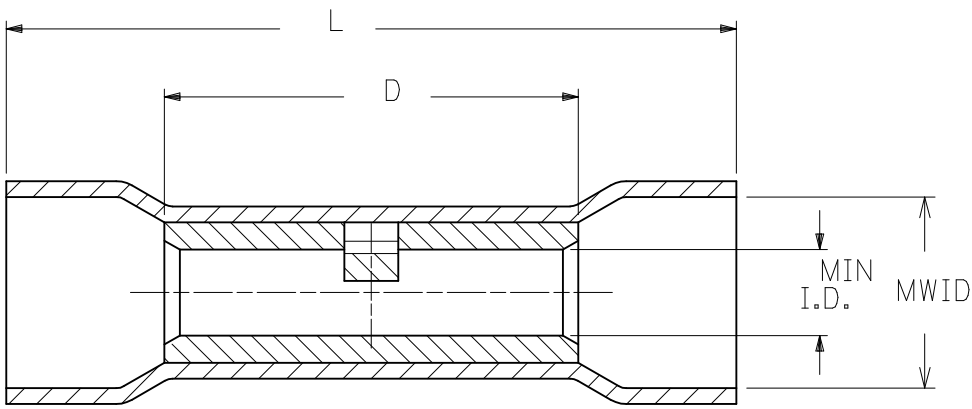


10	9	8	7	6	5	4	3	2	1	
MATERIAL NO. LOOSE PIECE	ENGINEERING NUMBER LOOSE	MATERIAL NO. TAPE MOUNTED	ENGINEERING NUMBER TAPE	WIRE AWG	INSULATION COLOR	I.D. MIN.	Ⓢ MWID	"D" MAX.	"L" MAX.	"H" ±.03/0.8
191540041	D-654X	191540042	D-654XT	8	RED	.165/4.19	.33/8.3	.864/21.95	1.510/38.35	.30/7.6
191540045	E-662X	-	-	6	BLUE	.230/5.84	.44/11.2	1.045/26.54	1.855/47.12	-
191540048	F-664X	-	-	4	YELLOW	.277/7.04	.60/15.3	1.155/29.34	2.036/51.71	-
191540049	G-672X	-	-	2	RED	.357/9.07	.65/16.5	1.280/32.51	2.277/57.84	-



Ⓢ PARTS ON TAPE

- NOTES:
- CONNECTOR
MATERIAL: COPPER
PLATING: MATTE TIN
 - INSULATION
MATERIAL: PVC
COLOR: SEE CHART
 - ALL PARTS ARE ROHS COMPLIANT.
 - MWID = MAXIMUM WIRE INSULATION DIAMETER

FLARE ID. UNITS EC NO: WNA2011-0440 DRW: MATHRODAHL 2011/03/25 CHKD: JMACNEIL 2011/03/25 APPR: JMACNEIL 2011/04/27	QUALITY SYMBOLS	GENERAL TOLERANCES (UNLESS SPECIFIED)	DIMENSION STYLE IN/MM Ⓢ	SCALE ---	DESIGN UNITS INCH	THIRD ANGLE PROJECTION
	▽=0	mm INCH	DRAWN BY DATE RCM 1995/11/28	TITLE	BUTT CONNECTOR, SEAMLESS, INSULKRIMP MOLEX INCORPORATED DOCUMENT NO. SD-19154-004	SHEET NO. 1 OF 1
	▽7=0	4 PLACES ± --- ± ---	CHECKED BY DATE RWD 1995/11/28	THIS DRAWING CONTAINS INFORMATION THAT IS PROPRIETARY TO MOLEX INCORPORATED AND SHOULD NOT BE USED WITHOUT WRITTEN PERMISSION		
		3 PLACES ± --- ± ---	APPROVED BY DATE RWD 1995/11/28			
	2 PLACES ± --- ± ---	MATERIAL NO. SEE CHART				
	1 PLACE ± --- ± ---	ANGULAR ± ---°				
		DRAFT WHERE APPLICABLE MUST REMAIN WITHIN DIMENSIONS				