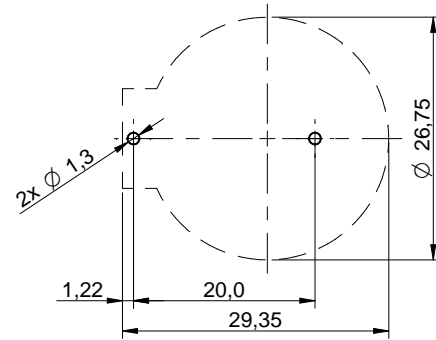
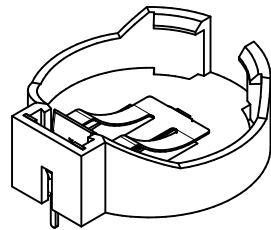
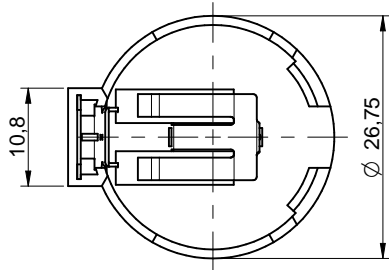
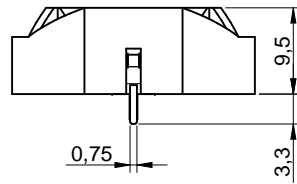
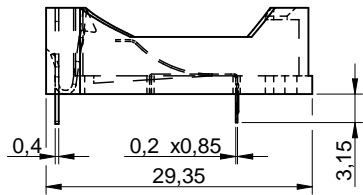
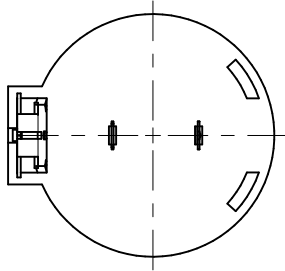


PCB Mounting Layout



Scale - 1,2:1



Scale - 1,2:1

This electronic component is designed and developed with the intention for use in general electronics equipments.

Before incorporating the components into any equipments in the field such as aerospace, aviation, nuclear control, submarine, transportation, (automotive control, train control, ship control), transportation signal, disaster prevention, medical, public information network etc. where higher safety and reliability are especially required or if there is possibility of direct damage or injury to human body, Würth Elektronik must be asked for a written approval.

In addition, even electronic component in general electronic equipments, when used in electrical circuits that require high safety, reliability functions or performance, the sufficient reliability evaluation-check for the safety must be performed before by the user before usage.

Projection				GENERAL TOLERANCE DIN ISO 2768 T1m			Basic material							
							DESCRIPTION							
				Date			Name			BattHold				
				13-05-27			Fandrey			Battery Holder				
				Checked			13-05-27			Klingler				
							Scale		1:1		Position		SIZE	
							Drawing.- No. 79578211						A4	
REV	FILE	DATE	BY				System: Solid Edge ST4							